



Luma gen2 – The standard in road lighting, redefined

Luma gen2

Luma gen2 is the next generation of the Luma LED luminaire family, fully optimized to become your long-term lighting and innovation partner. While keeping the distinctive design characteristics of the first generation, Luma gen2 gives you the benefits of the latest technologies thanks to its future-proof System Ready architecture, use of optimized Ledgine LED and optical platform ensuring best in class lighting performance in a broad range of applications. It also offers improved serviceability. Installation has also become easier and faster, and thanks to the Service tag, you have access to all relevant documentations onsite. Also, the cable feed-through has been redesigned and access to the gear components is easy thanks to top down tool-less access. Luma gen2 also offers all connectivity and dimming options available today and thanks to being System Ready, it can also to be paired with lighting management systems such as Interact City or existing and upcoming sensor innovations. The Luma gen2 has been developed to optimize and simplify spare part repair and maintenance work using a new plug & play GearFlex module containing all electrical components in an easy to handle and accessible box inside the housing. As a company conscious about the impact of light on the environment and biodiversity, we also equipped the Luma gen2 with dedicated light recipes that help with maintaining the optimal ecosystems for bats or preserve a dark night sky.

Luma gen2

Benefits

- Ease of maintenance and spare part repair enabled through the dedicated GearFlex module
- Best in class efficiency and light performance in a broad range of applications
- Future-ready thanks to the SR (System Ready) socket
- Luminaire is also equipped with dedicated light recipes that help with: 1) maintaining the optimal ecosystems for bats 2) preserve a dark night sky and reduce light pollution
- Equipped with Service tag, a QR-based identification system that makes each luminaire uniquely identifiable and provides maintenance, installation and spare part information

Features

- Dedicated GearFlex module enabling faster, safer and tool-less maintenance
- New cable feedthrough for easy installation
- Ready to be connected to the Interact City lighting management software
- Ready to be paired with third party lighting management systems and sensors
- Tilt now with 2,5 degrees precision
- Efficacy up to 155 lm/W
- Choice of 40+ different beams and option of different internal louvers
- Further optimization on performance flux level enabled by the Philips L-Tune
- Surge protection up to 10kV
- Wide range of lumen packages, ranging from 1,000 to 55,000 lm

Application

- Motorways, inter-urban main roads, boulevards and avenues, roundabouts, pedestrian crossings
- Residential streets, side streets, squares, parks, cycle and pedestrian paths, playgrounds
- Parking areas, industrial areas, petrol stations, rail yards, airports, harbors, waterways

Versions



Luma gen2 Medium bottom view



BGP701 Luma gen2 Nano GearFlex1 SPP



Luma gen2 Mini bottom view



BGP701 Luma gen2 Nano basis

Luma gen2

Versions



BGP705 Luma gen2 Large

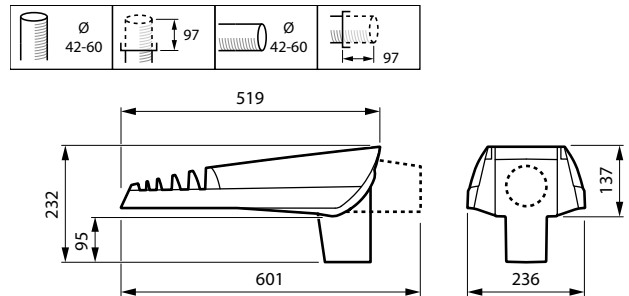
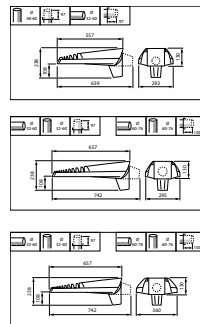
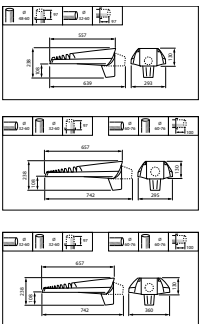
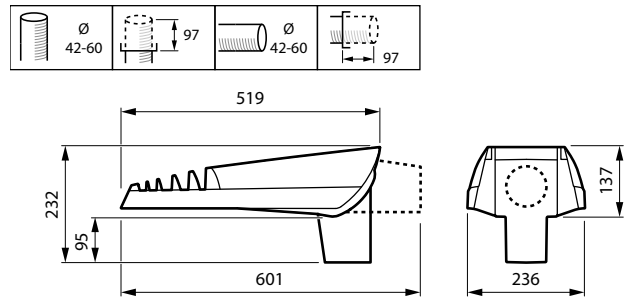
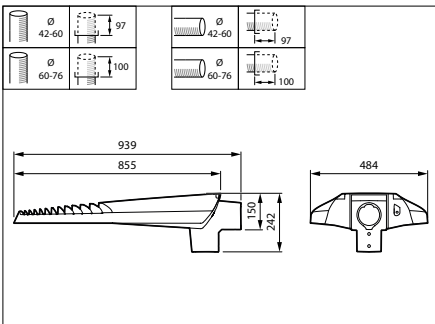


Luma gen2 Mini bottom view



Luma gen2 Micro bottom view

Dimensional drawing



Luma gen2

Product details

BGP701 Luma gen2 Nano FG DPP



BGP701 Luma gen2 Nano Open2 DPP



BGP713 Luma gen2 Mini Compact Open1 DPP



BGP713 Luma gen2 Mini Compact Open2 DPP



BGP705 Luma gen2 Large FG DPP



BGP705 Luma gen2 Large Open1 DPP



General Information

CE mark	Yes
Driver included	Yes
Light source replaceable	Yes
Service tag	Yes

Light Technical

Optical cover type	Glass
Upward light output ratio	0

Approval and Application

Ingress protection code	IP66
-------------------------	------

General Information

Order Code	Full Product Name	Flammability mark	Lamp family code	Number of gear units	Product family code
910925867835	BGP704 LED210-4S/830	-	LED210	1 unit	BGP704

Order Code	Full Product Name	Flammability mark	Lamp family code	Number of gear units	Product family code
	DM11 DDF27 D18 SRG1				

Order Code	Full Product Name	Flammability mark	Lamp family code	Number of gear units	Product family code
910925867324	BGP701 LED8-4S/740 DM11 FG GR 42/60P	-	LED8	1 unit	BGP701
910925867325	BGP701 LED40-4S/740 DM10 GF SRT SRB 42/6	-	LED40	1 unit	BGP701
910925867326	BGP701 LW10 LED50-4S/830 DM11 GF CTGO-DG	-	LED50	1 unit	BGP701
910925867834	BGP703 LED100-4S/830 DM11 DDF27 D18 SRG1	-	LED100	1 unit	BGP703
910925868136	BGP701 LED60-4S/740 II DM11 CLO SRT SRB	-	LED60	1 unit	BGP701
910925868137	BGP701 LED60-4S/740 II DM11 CLO SRT SRB	-	LED60	1 unit	BGP701
910925866534	BGP702 LED60-4S/740 DM11 GF SRT SRB 60/7	-	LED60	1 unit	BGP702
910925866535	BGP702 LED40-4S/740 DM10 GF SRT SRB 60/7	-	LED40	1 unit	BGP702
910925866536	BGP702 LW10 LED50-4S/830 DM11 GF CTGO	-	LED50	1 unit	BGP702
910925867784	BGP702 LED40-4S/740 II DM10 MSP CLO SRT	-	LED40	1 unit	BGP702
910925867785	BGP702 LED60-4S/740 II DM32 MSP CLO SRT	-	LED60	1 unit	BGP702
910925867786	BGP702 LED60-4S/740 II DM11 CLO SRT SRB	-	LED60	1 unit	BGP702
910925867787	BGP702 LED60-4S/740 II DM11 CLO SRT SRB	-	LED60	1 unit	BGP702
910925868042	BGP702 LED60-4S/740 DM11 PGR SRT SRB 60	-	LED60	1 unit	BGP702

Order Code	Full Product Name	Flammability mark	Lamp family code	Number of gear units	Product family code
910925868043	BGP702 LED40-4S/740 DM10 PGR SRT SRB 60	-	LED40	1 unit	BGP702
910925868044	BGP702 LW10 LED50-4S/830 DM11 PGR CTGO	-	LED50	1 unit	BGP702
910925868801	BGP702 LED60-4S/730 DM11 DDF27 D18 SRG10	-	LED60	1 unit	BGP702
910925868225	BGP701 LED60-4S/740 II DM32 MSP CLO SRT	-	LED60	1 unit	BGP701
910925868227	BGP701 LED40-4S/740 II DM10 MSP CLO SRT	-	LED40	1 unit	BGP701
910925868799	BGP701 LED60-4S/730 DM11 DDF27 D18 SRG10	-	LED60	1 unit	BGP701
910925866542	BGP704 LED140-4S/740 DM50 GF SRT SRB 60	-	LED140	1 unit	BGP704
910925866543	BGP704 LED210-4S/830 II DX10 GF D18 DDF3	-	LED210	1 unit	BGP704
910925866544	BGP704 LW10 LED120-4S/830 DM11 GF CTGO	-	LED120	1 unit	BGP704
910925867794	BGP704 LED260-4S/740 DM11 CLO SRT SRB 48	-	LED260	1 unit	BGP704
910925867795	BGP704 LED260-4S/740 DM11 CLO SRT SRB 48	-	LED260	1 unit	BGP704
910925868050	BGP704 LED140-4S/740 DM50 PGR SRT SRB 60	-	LED140	1 unit	BGP704
910925868051	BGP704 LED210-4S/830 II DX10 PGR DDF3 D1	-	LED210	1 unit	BGP704

Order Code	Full Product Name	Flammability mark	Lamp family code	Number of gear units	Product family code
910925868052	BGP704 LW10 LED120-4S/830 DM11 CTGO-DG	-	LED120	1 unit	BGP704
910925868792	BGP704 LED100-4S/740 II DM32 MSP CLO- DDF	-	LED100	1 unit	BGP704
910925868406	BGP713 LED120-4S/740 DM50 GF SRT SRB 60	For mounting on normally flammable surfaces	LED120-4S	1 unit	BGP713
910925868407	BGP713 LED100-4S/830 II DW50 GF SRT SRB	For mounting on normally flammable surfaces	LED100-4S	1 unit	BGP713
910925868408	BGP713 LED33-4S/610 DM11 SRT SRB 60/76P	For mounting on normally flammable surfaces	LED33-4S	1 unit	BGP713
910925868409	BGP713 LED50-4S/740 II DM11 GF EZR SRB 6	For mounting on normally flammable surfaces	LED50-4S	1 unit	BGP713
910925868226	BGP705 LED300-4S/740 II DM32 MSP CLO SRT	-	LED300	3 units	BGP705
910925867788	BGP703 LED60-4S/740 II DM31 MSP CLO SRT	-	LED60	1 unit	BGP703
910925867142	BGP705 LED150-4S/740 DM11 GF SRT SRB 60/	-	LED150	1 unit	BGP705
910925867143	BGP705 LED300-4S/740 II DM11 GF SRT SRB	-	LED300	3 units	BGP705
910925866538	BGP703 LED120-4S/740	-	LED120	1 unit	BGP703

Order Code	Full Product Name	Flammability mark	Lamp family code	Number of gear units	Product family code
	DM50 GF SRT SRB 60				
910925866539	BGP703 LED100-4S/830 II DW50 GF SRT SRB	-	LED100	1 unit	BGP703
910925866540	BGP703 LED54-4S/610 DM11 GF SRT SRB 60/7	-	LED54	1 unit	BGP703
910925867789	BGP703 LED120-4S/740 II DM11 CLO SRT SRB	-	LED120	1 unit	BGP703
910925867790	BGP703 LED120-4S/740 II DM11 CLO SRT SRB	-	LED120	1 unit	BGP703
910925867791	BGP703 LED120-4S/740 II DM32 MSP CLO SRT	-	LED120	1 unit	BGP703
910925868046	BGP703 LED120-4S/740 DM50 PGR SRT SRB 60	-	LED120	1 unit	BGP703
910925868047	BGP703 LED100-4S/830 II DW50 PGR SRT SRB	-	LED100	1 unit	BGP703
910925868048	BGP703 LED54-4S/610 DM11 PGR SRT SRB 60	-	LED54	1 unit	BGP703
910925868802	BGP703 LED120-4S/730 DM11 DDF27 D18 SRG1	-	LED120	1 unit	BGP703
910925867833	BGP702 LED50-4S/830 DM11 DDF27 D18 SRG10	-	LED50	1 unit	BGP702

Light Technical (1/2)

Order Code	Full Product Name	Luminaire light beam spread	Light source color	Correlated Color Temperature (Nom)	Color rendering index (CRI)	Luminous Flux	Optic type outdoor	Standard tilt angle side entry
910925867835	BGP704 LED210-4S/830 DM11 DDF27 D18 SRG1	70° x 37°	830 warm white	3000 K	>80	18,900 lm	Distribution medium 31	0°
910925867324	BGP701 LED8-4S/740 DM11 FG GR 42/60P	70° x 37°	740 neutral white	4000 K	>70	728 lm	Distribution medium 11	-

Order Code	Full Product Name	Luminaire light		Correlated Color	Color	Luminous Flux	Optic type outdoor	Standard tilt angle
		beam spread	Light source color	Temperature (Nom)	rendering index (CRI)			
910925867325	BGP701 LED40-4S/740 DM10 GF SRT SRB 42/6	73° x 44°	740 neutral white	4000 K	>70	3,600 lm	Distribution medium 10	-
910925867326	BGP701 LW10 LED50-4S/830 DM11 GF CTGO-DG	70° x 37°	830 warm white	3000 K	>80	4,500 lm	Distribution medium 11	-
910925867834	BGP703 LED100-4S/830 DM11 DDF27 D18 SRG1	70° x 37°	830 warm white	3000 K	>80	9,100 lm	Distribution medium 32	0°
910925868136	BGP701 LED60-4S/740 II DM11 CLO SRT SRB	70° x 37°	740 neutral white	4000 K	>70	5,220 lm	Distribution medium 11	0°
910925868137	BGP701 LED60-4S/740 II DM11 CLO SRT SRB	70° x 37°	740 neutral white	4000 K	>70	5,220 lm	Distribution medium 11	0°
910925866534	BGP702 LED60-4S/740 DM11 GF SRT SRB 60/7	70° x 37°	740 neutral white	4000 K	>70	5,400 lm	Distribution medium 11	-
910925866535	BGP702 LED40-4S/740 DM10 GF SRT SRB 60/7	73° x 44°	740 neutral white	4000 K	>70	3,600 lm	Distribution medium 10	-
910925866536	BGP702 LW10 LED50-4S/830 DM11 GF CTGO	70° x 37°	830 warm white	3000 K	>80	4,500 lm	Distribution medium 11	-
910925867784	BGP702 LED40-4S/740 II DM10 MSP CLO SRT	73° x 44°	740 neutral white	4000 K	>70	3,510 lm	Distribution medium 10	-
910925867785	BGP702 LED60-4S/740 II DM32 MSP CLO SRT	65° x 39°	740 neutral white	4000 K	>70	5,278 lm	Distribution medium 32	-
910925867786	BGP702 LED60-4S/740 II DM11 CLO SRT SRB	70° x 37°	740 neutral white	4000 K	>70	5,220 lm	Distribution medium 11	0°
910925867787	BGP702 LED60-4S/740 II DM11 CLO SRT SRB	70° x 37°	740 neutral white	4000 K	>70	5,220 lm	Distribution medium 11	0°
910925868042	BGP702 LED60-4S/740 DM11 PGR SRT SRB 60	70° x 37°	740 neutral white	4000 K	>70	5,400 lm	Distribution medium 11	-
910925868043	BGP702 LED40-4S/740 DM10 PGR SRT SRB 60	73° x 44°	740 neutral white	4000 K	>70	3,600 lm	Distribution medium 10	-
910925868044	BGP702 LW10 LED50-4S/830 DM11 PGR CTGO	70° x 37°	830 warm white	3000 K	>80	4,500 lm	Distribution medium 11	-
910925868801	BGP702 LED60-4S/730 DM11 DDF27 D18 SRG10	70° x 37°	730 warm white	3000 K	>70	5,400 lm	Distribution medium 11	0°
910925868225	BGP701 LED60-4S/740 II DM32 MSP CLO SRT	65° x 39°	740 neutral white	4000 K	>70	5,278 lm	Distribution medium 32	0°
910925868227	BGP701 LED40-4S/740 II DM10 MSP CLO SRT	73° x 44°	740 neutral white	4000 K	>70	3,510 lm	Distribution medium 10	0°
910925868799	BGP701 LED60-4S/730 DM11 DDF27 D18 SRG10	70° x 37°	730 warm white	3000 K	>70	5,400 lm	Distribution medium 11	0°
910925866542	BGP704 LED140-4S/740 DM50 GF SRT SRB 60	154° - 31° x 54°	740 neutral white	4000 K	>70	12,740 lm	Distribution medium 50	-
910925866543	BGP704 LED210-4S/830 II DX10 GF D18 DDF3	150° - 43° x 67°	830 warm white	3000 K	>80	17,850 lm	Distribution extra wide 10	-
910925866544	BGP704 LW10 LED120-4S/830 DM11 GF CTGO	70° x 37°	830 warm white	3000 K	>80	10,920 lm	Distribution medium 11	-
910925867794	BGP704 LED260-4S/740 DM11 CLO SRT SRB 48	70° x 37°	740 neutral white	4000 K	>70	22,500 lm	Distribution medium 31	0°
910925867795	BGP704 LED260-4S/740 DM11 CLO SRT SRB 48	70° x 37°	740 neutral white	4000 K	>70	22,500 lm	Distribution medium 11	0°
910925868050	BGP704 LED140-4S/740 DM50 PGR SRT SRB 60	154° - 31° x 54°	740 neutral white	4000 K	>70	12,740 lm	Distribution medium 50	-

Order Code	Full Product Name	Luminaire light		Correlated Color	Color	Luminous Flux	Optic type outdoor	Standard tilt angle
		beam spread	Light source color	Temperature (Nom)	rendering index (CRI)			
910925868051	BGP704 LED210-4S/830 II DX10 PGR DDF3 D1	150° x 43° x 67°	830 warm white	3000 K	>80	17,850 lm	Distribution extra wide 10	-
910925868052	BGP704 LW10 LED120-4S/830 DM11 CTGO-DG	70° x 37°	830 warm white	3000 K	>80	10,920 lm	Distribution medium 11	-
910925868792	BGP704 LED100-4S/740 II DM32 MSP CLO-DDF	65° x 39°	740 neutral white	4000 K	>70	9,016 lm	Distribution medium 32	-
910925868406	BGP713 LED120-4S/740 DM50 GF SRT SRB 60	42° x 85°	740 neutral white	4000 K	>70	10,800 lm	Distribution medium 50	0°
910925868407	BGP713 LED100-4S/830 II DW50 GF SRT SRB	40° x 42°	830 warm white	3000 K	>80	8,600 lm	Distribution wide 50	0°
910925868408	BGP713 LED33-4S/610 DM11 SRT SRB 60/76P	160° x 95°	610 ClearField	1000 K	>60	2,871 lm	Distribution medium 11	0°
910925868409	BGP713 LED50-4S/740 II DM11 GF EZR SRB 6	160° x 95°	740 neutral white	4000 K	>70	4,550 lm	Distribution medium 11	0°
910925868226	BGP705 LED300-4S/740 II DM32 MSP CLO SRT	65° x 39°	740 neutral white	4000 K	>70	26,100 lm	Distribution medium 32	0°
910925867788	BGP703 LED60-4S/740 II DM31 MSP CLO SRT	65° x 23°	740 neutral white	4000 K	>70	5,278 lm	Distribution medium 31	-
910925867142	BGP705 LED150-4S/740 DM11 GF SRT SRB 60/	70° x 37°	740 neutral white	4000 K	>70	13,500 lm	Distribution medium 11	-
910925867143	BGP705 LED300-4S/740 II DM11 GF SRT SRB	70° x 37°	740 neutral white	4000 K	>70	26,700 lm	Distribution medium 11	-
910925866538	BGP703 LED120-4S/740 DM50 GF SRT SRB 60	154° - 31° x 54°	740 neutral white	4000 K	>70	10,800 lm	Distribution medium 50	-
910925866539	BGP703 LED100-4S/830 II DW50 GF SRT SRB	150° - 43° x 67°	830 warm white	3000 K	>80	8,600 lm	Distribution wide 50	-
910925866540	BGP703 LED54-4S/610 DM11 GF SRT SRB 60/7	70° x 37°	510 ClearField	1000 K	>60	4,482 lm	Distribution medium 11	-
910925867789	BGP703 LED120-4S/740 II DM11 CLO SRT SRB	70° x 37°	740 neutral white	4000 K	>70	10,350 lm	Distribution medium 11	-
910925867790	BGP703 LED120-4S/740 II DM11 CLO SRT SRB	70° x 37°	740 neutral white	4000 K	>70	10,350 lm	Distribution medium 11	0°
910925867791	BGP703 LED120-4S/740 II DM32 MSP CLO SRT	65° x 39°	740 neutral white	4000 K	>70	10,465 lm	Distribution medium 32	-
910925868046	BGP703 LED120-4S/740 DM50 PGR SRT SRB 60	154° - 31° x 54°	740 neutral white	4000 K	>70	10,800 lm	Distribution medium 50	-
910925868047	BGP703 LED100-4S/830 II DW50 PGR SRT SRB	150° - 43° x 67°	830 warm white	3000 K	>80	8,600 lm	Distribution wide 50	-
910925868048	BGP703 LED54-4S/610 DM11 PGR SRT SRB 60	70° x 37°	510 ClearField	1000 K	>60	4,482 lm	Distribution medium 11	-
910925868802	BGP703 LED120-4S/730 DM11 DDF27 D18 SRG1	70° x 37°	730 warm white	3000 K	>70	10,800 lm	Distribution medium 11	0°
910925868733	BGP702 LED50-4S/830 DM11 DDF27 D18 SRG10	70° x 37°	830 warm white	3000 K	>80	4,500 lm	Distribution medium 11	0°

Light Technical (2/2)

Order Code	Full Product Name	Standard tilt angle posttop	Order Code	Full Product Name	Standard tilt angle posttop
910925867835	BGP704 LED210-4S/830 DM11 DDF27 D18 SRG1	-	910925867324	BGP701 LED8-4S/740 DM11 FG GR 42/60P	0°

Order Code	Full Product Name	Standard tilt angle posttop
910925867325	BGP701 LED40-4S/740 DM10 GF SRT SRB 42/6	0°
910925867326	BGP701 LW10 LED50-4S/830 DM11 GF CTGO-DG	0°
910925867834	BGP703 LED100-4S/830 DM11 DDF27 D18 SRG1	-
910925868136	BGP701 LED60-4S/740 II DM11 CLO SRT SRB	-
910925868137	BGP701 LED60-4S/740 II DM11 CLO SRT SRB	-
910925866534	BGP702 LED60-4S/740 DM11 GF SRT SRB 60/7	0°
910925866535	BGP702 LED40-4S/740 DM10 GF SRT SRB 60/7	0°
910925866536	BGP702 LW10 LED50-4S/830 DM11 GF CTGO	0°
910925867784	BGP702 LED40-4S/740 II DM10 MSP CLO SRT	0°
910925867785	BGP702 LED60-4S/740 II DM32 MSP CLO SRT	0°
910925867786	BGP702 LED60-4S/740 II DM11 CLO SRT SRB	-
910925867787	BGP702 LED60-4S/740 II DM11 CLO SRT SRB	-
910925868042	BGP702 LED60-4S/740 DM11 PGR SRT SRB 60	0°
910925868043	BGP702 LED40-4S/740 DM10 PGR SRT SRB 60	0°
910925868044	BGP702 LW10 LED50-4S/830 DM11 PGR CTGO	0°
910925868801	BGP702 LED60-4S/730 DM11 DDF27 D18 SRG10	-
910925868225	BGP701 LED60-4S/740 II DM32 MSP CLO SRT	0°
910925868227	BGP701 LED40-4S/740 II DM10 MSP CLO SRT	0°
910925868799	BGP701 LED60-4S/730 DM11 DDF27 D18 SRG10	-
910925866542	BGP704 LED140-4S/740 DM50 GF SRT SRB 60	0°
910925866543	BGP704 LED210-4S/830 II DX10 GF D18 DDF3	0°
910925866544	BGP704 LW10 LED120-4S/830 DM11 GF CTGO	0°
910925867794	BGP704 LED260-4S/740 DM11 CLO SRT SRB 48	-
910925867795	BGP704 LED260-4S/740 DM11 CLO SRT SRB 48	-

Order Code	Full Product Name	Standard tilt angle posttop
910925868050	BGP704 LED140-4S/740 DM50 PGR SRT SRB 60	0°
910925868051	BGP704 LED210-4S/830 II DX10 PGR DDF3 D1	0°
910925868052	BGP704 LW10 LED120-4S/830 DM11 CTGO-DG	0°
910925868792	BGP704 LED100-4S/740 II DM32 MSP CLO-DDF	0°
910925868406	BGP713 LED120-4S/740 DM50 GF SRT SRB 60	0°
910925868407	BGP713 LED100-4S/830 II DW50 GF SRT SRB	0°
910925868408	BGP713 LED33-4S/610 DM11 SRT SRB 60/76P	0°
910925868409	BGP713 LED50-4S/740 II DM11 GF EZR SRB 6	0°
910925868226	BGP705 LED300-4S/740 II DM32 MSP CLO SRT	0°
910925867788	BGP703 LED60-4S/740 II DM31 MSP CLO SRT	0°
910925867142	BGP705 LED150-4S/740 DM11 GF SRT SRB 60/	0°
910925867143	BGP705 LED300-4S/740 II DM11 GF SRT SRB	0°
910925866538	BGP703 LED120-4S/740 DM50 GF SRT SRB 60	0°
910925866539	BGP703 LED100-4S/830 II DW50 GF SRT SRB	0°
910925866540	BGP703 LED54-4S/610 DM11 GF SRT SRB 60/7	0°
910925867789	BGP703 LED120-4S/740 II DM11 CLO SRT SRB	0°
910925867790	BGP703 LED120-4S/740 II DM11 CLO SRT SRB	-
910925867791	BGP703 LED120-4S/740 II DM32 MSP CLO SRT	0°
910925868046	BGP703 LED120-4S/740 DM50 PGR SRT SRB 60	0°
910925868047	BGP703 LED100-4S/830 II DW50 PGR SRT SRB	0°
910925868048	BGP703 LED54-4S/610 DM11 PGR SRT SRB 60	0°
910925868802	BGP703 LED120-4S/730 DM11 DDF27 D18 SRG1	-
910925867833	BGP702 LED50-4S/830 DM11 DDF27 D18 SRG10	-

Operating and Electrical

Order Code	Full Product Name	Power Consumption
910925867835	BGP704 LED210-4S/830 DM11 DDF27 D18 SRG1	166 W
910925867324	BGP701 LED8-4S/740 DM11 FG GR 42/60P	6.1 W
910925867325	BGP701 LED40-4S/740 DM10 GF SRT SRB 42/6	25 W
910925867326	BGP701 LW10 LED50-4S/830 DM11 GF CTGO-DG	40.5 W
910925867834	BGP703 LED100-4S/830 DM11 DDF27 D18 SRG1	79 W
910925868136	BGP701 LED60-4S/740 II DM11 CLO SRT SRB	37 W
910925868137	BGP701 LED60-4S/740 II DM11 CLO SRT SRB	37 W
910925866534	BGP702 LED60-4S/740 DM11 GF SRT SRB 60/7	38 W
910925866535	BGP702 LED40-4S/740 DM10 GF SRT SRB 60/7	25 W
910925866536	BGP702 LW10 LED50-4S/830 DM11 GF CTGO	40.5 W
910925867784	BGP702 LED40-4S/740 II DM10 MSP CLO SRT	24 W
910925867785	BGP702 LED60-4S/740 II DM32 MSP CLO SRT	37 W
910925867786	BGP702 LED60-4S/740 II DM11 CLO SRT SRB	37 W
910925867787	BGP702 LED60-4S/740 II DM11 CLO SRT SRB	37 W
910925868042	BGP702 LED60-4S/740 DM11 PGR SRT SRB 60	38 W
910925868043	BGP702 LED40-4S/740 DM10 PGR SRT SRB 60	25 W
910925868044	BGP702 LW10 LED50-4S/830 DM11 PGR CTGO	40.5 W
910925868801	BGP702 LED60-4S/730 DM11 DDF27 D18 SRG10	40.5 W
910925868225	BGP701 LED60-4S/740 II DM32 MSP CLO SRT	37 W
910925868227	BGP701 LED40-4S/740 II DM10 MSP CLO SRT	24 W
910925868799	BGP701 LED60-4S/730 DM11 DDF27 D18 SRG10	42 W
910925866542	BGP704 LED140-4S/740 DM50 GF SRT SRB 60	83 W
910925866543	BGP704 LED210-4S/830 II DX10 GF D18 DDF3	166 W

Order Code	Full Product Name	Power Consumption
910925866544	BGP704 LW10 LED120-4S/830 DM11 GF CTGO	91 W
910925867794	BGP704 LED260-4S/740 DM11 CLO SRT SRB 48	154 W
910925867795	BGP704 LED260-4S/740 DM11 CLO SRT SRB 48	154 W
910925868050	BGP704 LED140-4S/740 DM50 PGR SRT SRB 60	83 W
910925868051	BGP704 LED210-4S/830 II DX10 PGR DDF3 D1	166 W
910925868052	BGP704 LW10 LED120-4S/830 DM11 CTGO-DG	91 W
910925868792	BGP704 LED100-4S/740 II DM32 MSP CLO-DDF	57 W
910925868406	BGP713 LED120-4S/740 DM50 GF SRT SRB 60	74 W
910925868407	BGP713 LED100-4S/830 II DW50 GF SRT SRB	79 W
910925868408	BGP713 LED33-4S/610 DM11 SRT SRB 60/76P	34 W
910925868409	BGP713 LED50-4S/740 II DM11 GF EZR SRB 6	31.5 W
910925868226	BGP705 LED300-4S/740 II DM32 MSP CLO SRT	170 W
910925867788	BGP703 LED60-4S/740 II DM31 MSP CLO SRT	37 W
910925867142	BGP705 LED150-4S/740 DM11 GF SRT SRB 60/	87 W
910925867143	BGP705 LED300-4S/740 II DM11 GF SRT SRB	174 W
910925866538	BGP703 LED120-4S/740 DM50 GF SRT SRB 60	74 W
910925866539	BGP703 LED100-4S/830 II DW50 GF SRT SRB	79 W
910925866540	BGP703 LED54-4S/610 DM11 GF SRT SRB 60/7	52 W
910925867789	BGP703 LED120-4S/740 II DM11 CLO SRT SRB	71 W
910925867790	BGP703 LED120-4S/740 II DM11 CLO SRT SRB	71 W
910925867791	BGP703 LED120-4S/740 II DM32 MSP CLO SRT	71 W
910925868046	BGP703 LED120-4S/740 DM50 PGR SRT SRB 60	74 W
910925868047	BGP703 LED100-4S/830 II DW50 PGR SRT SRB	79 W

Order Code	Full Product Name	Power Consumption
910925868048	BGP703 LED54-4S/610 DM11 PGR SRT SRB 60	52 W
910925868802	BGP703 LED120-4S/730 DM11 DDF27 D18 SRG1	79 W

Order Code	Full Product Name	Power Consumption
910925867833	BGP702 LED50-4S/830 DM11 DDF27 D18 SRG10	40.5 W

Controls and Dimming

Order Code	Full Product Name	Dimmable
910925867835	BGP704 LED210-4S/830 DM11 DDF27 D18 SRG1	Yes
910925867324	BGP701 LED8-4S/740 DM11 FG GR 42/60P	No
910925867325	BGP701 LED40-4S/740 DM10 GF SRT SRB 42/6	No
910925867326	BGP701 LW10 LED50-4S/830 DM11 GF CTGO-DG	Yes
910925867834	BGP703 LED100-4S/830 DM11 DDF27 D18 SRG1	Yes
910925868136	BGP701 LED60-4S/740 II DM11 CLO SRT SRB	No
910925868137	BGP701 LED60-4S/740 II DM11 CLO SRT SRB	No
910925866534	BGP702 LED60-4S/740 DM11 GF SRT SRB 60/7	No
910925866535	BGP702 LED40-4S/740 DM10 GF SRT SRB 60/7	No
910925866536	BGP702 LW10 LED50-4S/830 DM11 GF CTGO	Yes
910925867784	BGP702 LED40-4S/740 II DM10 MSP CLO SRT	No
910925867785	BGP702 LED60-4S/740 II DM32 MSP CLO SRT	No
910925867786	BGP702 LED60-4S/740 II DM11 CLO SRT SRB	No
910925867787	BGP702 LED60-4S/740 II DM11 CLO SRT SRB	No
910925868042	BGP702 LED60-4S/740 DM11 PGR SRT SRB 60	No
910925868043	BGP702 LED40-4S/740 DM10 PGR SRT SRB 60	No
910925868044	BGP702 LW10 LED50-4S/830 DM11 PGR CTGO	Yes
910925868801	BGP702 LED60-4S/730 DM11 DDF27 D18 SRG10	Yes
910925868225	BGP701 LED60-4S/740 II DM32 MSP CLO SRT	No
910925868227	BGP701 LED40-4S/740 II DM10 MSP CLO SRT	No
910925868799	BGP701 LED60-4S/730 DM11 DDF27 D18 SRG10	Yes
910925866542	BGP704 LED140-4S/740 DM50 GF SRT SRB 60	No
910925866543	BGP704 LED210-4S/830 II DX10 GF D18 DDF3	Yes
910925866544	BGP704 LW10 LED120-4S/830 DM11 GF CTGO	Yes
910925867794	BGP704 LED260-4S/740 DM11 CLO SRT SRB 48	No

Order Code	Full Product Name	Dimmable
910925867795	BGP704 LED260-4S/740 DM11 CLO SRT SRB 48	No
910925868050	BGP704 LED140-4S/740 DM50 PGR SRT SRB 60	No
910925868051	BGP704 LED210-4S/830 II DX10 PGR DDF3 D1	Yes
910925868052	BGP704 LW10 LED120-4S/830 DM11 CTGO-DG	Yes
910925868792	BGP704 LED100-4S/740 II DM32 MSP CLO-DDF	Yes
910925868406	BGP713 LED120-4S/740 DM50 GF SRT SRB 60	No
910925868407	BGP713 LED100-4S/830 II DW50 GF SRT SRB	No
910925868408	BGP713 LED33-4S/610 DM11 SRT SRB 60/76P	No
910925868409	BGP713 LED50-4S/740 II DM11 GF EZR SRB 6	Yes
910925868226	BGP705 LED300-4S/740 II DM32 MSP CLO SRT	No
910925867788	BGP703 LED60-4S/740 II DM31 MSP CLO SRT	No
910925867142	BGP705 LED150-4S/740 DM11 GF SRT SRB 60/	No
910925867143	BGP705 LED300-4S/740 II DM11 GF SRT SRB	No
910925866538	BGP703 LED120-4S/740 DM50 GF SRT SRB 60	No
910925866539	BGP703 LED100-4S/830 II DW50 GF SRT SRB	No
910925866540	BGP703 LED54-4S/610 DM11 GF SRT SRB 60/7	No
910925867789	BGP703 LED120-4S/740 II DM11 CLO SRT SRB	No
910925867790	BGP703 LED120-4S/740 II DM11 CLO SRT SRB	No
910925867791	BGP703 LED120-4S/740 II DM32 MSP CLO SRT	No
910925868046	BGP703 LED120-4S/740 DM50 PGR SRT SRB 60	No
910925868047	BGP703 LED100-4S/830 II DW50 PGR SRT SRB	No
910925868048	BGP703 LED54-4S/610 DM11 PGR SRT SRB 60	No
910925868802	BGP703 LED120-4S/730 DM11 DDF27 D18 SRG1	Yes
910925867833	BGP702 LED50-4S/830 DM11 DDF27 D18 SRG10	Yes

Mechanical and Housing

Order Code	Full Product Name	Housing Color
910925867835	BGP704 LED210-4S/830 DM11 DDF27 D18 SRG1	Gray
910925867324	BGP701 LED8-4S/740 DM11 FG GR 42/60P	Gray
910925867325	BGP701 LED40-4S/740 DM10 GF SRT SRB 42/6	Gray
910925867326	BGP701 LW10 LED50-4S/830 DM11 GF CTGO-DG	Gray
910925867834	BGP703 LED100-4S/830 DM11 DDF27 D18 SRG1	Gray
910925868136	BGP701 LED60-4S/740 II DM11 CLO SRT SRB	Gray
910925868137	BGP701 LED60-4S/740 II DM11 CLO SRT SRB	Gray
910925866534	BGP702 LED60-4S/740 DM11 GF SRT SRB 60/7	Gray
910925866535	BGP702 LED40-4S/740 DM10 GF SRT SRB 60/7	Gray
910925866536	BGP702 LW10 LED50-4S/830 DM11 GF CTGO	Gray
910925867784	BGP702 LED40-4S/740 II DM10 MSP CLO SRT	Gray
910925867785	BGP702 LED60-4S/740 II DM32 MSP CLO SRT	Gray
910925867786	BGP702 LED60-4S/740 II DM11 CLO SRT SRB	Gray
910925867787	BGP702 LED60-4S/740 II DM11 CLO SRT SRB	Gray
910925868042	BGP702 LED60-4S/740 DM11 PGR SRT SRB 60	Gray
910925868043	BGP702 LED40-4S/740 DM10 PGR SRT SRB 60	Gray

Order Code	Full Product Name	Housing Color
910925868044	BGP702 LW10 LED50-4S/830 DM11 PGR CTGO	Gray
910925868801	BGP702 LED60-4S/730 DM11 DDF27 D18 SRG10	Gray
910925868225	BGP701 LED60-4S/740 II DM32 MSP CLO SRT	Gray
910925868227	BGP701 LED40-4S/740 II DM10 MSP CLO SRT	Gray
910925868799	BGP701 LED60-4S/730 DM11 DDF27 D18 SRG10	Gray
910925866542	BGP704 LED140-4S/740 DM50 GF SRT SRB 60	Gray
910925866543	BGP704 LED210-4S/830 II DX10 GF D18 DDF3	Gray
910925866544	BGP704 LW10 LED120-4S/830 DM11 GF CTGO	Gray
910925867794	BGP704 LED260-4S/740 DM11 CLO SRT SRB 48	Gray
910925867795	BGP704 LED260-4S/740 DM11 CLO SRT SRB 48	Gray
910925868050	BGP704 LED140-4S/740 DM50 PGR SRT SRB 60	Gray
910925868051	BGP704 LED210-4S/830 II DX10 PGR DDF3 D1	Gray
910925868052	BGP704 LW10 LED120-4S/830 DM11 CTGO-DG	Gray
910925868792	BGP704 LED100-4S/740 II DM32 MSP CLO-DDF	Gray
910925868406	BGP713 LED120-4S/740 DM50 GF SRT SRB 60	Gray
910925868407	BGP713 LED100-4S/830 II DW50 GF SRT SRB	Gray

Order Code	Full Product Name	Housing Color
910925868408	BGP713 LED33-4S/610 DM11 SRT SRB 60/76P	Gray
910925868409	BGP713 LED50-4S/740 II DM11 GF EZR SRB 6	Dark gray
910925868226	BGP705 LED300-4S/740 II DM32 MSP CLO SRT	Gray
910925867788	BGP703 LED60-4S/740 II DM31 MSP CLO SRT	Gray
910925867142	BGP705 LED150-4S/740 DM11 GF SRT SRB 60/	Gray
910925867143	BGP705 LED300-4S/740 II DM11 GF SRT SRB	Gray
910925866538	BGP703 LED120-4S/740 DM50 GF SRT SRB 60	Gray
910925866539	BGP703 LED100-4S/830 II DW50 GF SRT SRB	Gray
910925866540	BGP703 LED54-4S/610 DM11 GF SRT SRB 60/7	Gray

Order Code	Full Product Name	Housing Color
910925867789	BGP703 LED120-4S/740 II DM11 CLO SRT SRB	Gray
910925867790	BGP703 LED120-4S/740 II DM11 CLO SRT SRB	Gray
910925867791	BGP703 LED120-4S/740 II DM32 MSP CLO SRT	Gray
910925868046	BGP703 LED120-4S/740 DM50 PGR SRT SRB 60	Gray
910925868047	BGP703 LED100-4S/830 II DW50 PGR SRT SRB	Gray
910925868048	BGP703 LED54-4S/610 DM11 PGR SRT SRB 60	Gray
910925868802	BGP703 LED120-4S/730 DM11 DDF27 D18 SRG1	Gray
910925867833	BGP702 LED50-4S/830 DM11 DDF27 D18 SRG10	Gray

Approval and Application

Order Code	Full Product Name	Mech. impact protection code	Surge Protection (Common/Differential)
910925867835	BGP704 LED210-4S/830 DM11 DDF27 D18 SRG1	IK10	Surge protection level until 10 kV differential mode
910925867324	BGP701 LED8-4S/740 DM11 FG GR 42/60P	IK10	Luminaire surge protection level until 6 kV differential mode and 8 kV common mode
910925867325	BGP701 LED40-4S/740 DM10 GF SRT SRB 42/6	IK09	Luminaire surge protection level until 6 kV differential mode and 8 kV common mode
910925867326	BGP701 LW10 LED50-4S/830 DM11 GF CTGO-DG	IK09	Luminaire surge protection level until 6 kV differential mode and 8 kV common mode
910925867834	BGP703 LED100-4S/830 DM11 DDF27 D18 SRG1	IK10	Surge protection level until 10 kV differential mode
910925868136	BGP701 LED60-4S/740 II DM11 CLO SRT SRB	IK09	Luminaire surge protection level until 6 kV differential mode and 8 kV common mode
910925868137	BGP701 LED60-4S/740 II DM11 CLO SRT SRB	IK09	Luminaire surge protection level until 6 kV differential mode and 8 kV common mode
910925866534	BGP702 LED60-4S/740 DM11 GF SRT SRB 60/7	IK09	Luminaire surge protection level until 6 kV differential mode and 8 kV common mode
910925866535	BGP702 LED40-4S/740 DM10 GF SRT SRB 60/7	IK09	Luminaire surge protection level until 6 kV differential mode and 8 kV common mode
910925866536	BGP702 LW10 LED50-4S/830 DM11 GF CTGO	IK09	Luminaire surge protection level until 6 kV differential mode and 8 kV common mode
910925867784	BGP702 LED40-4S/740 II DM10 MSP CLO SRT	IK09	Surge protection level until 10 kV differential mode
910925867785	BGP702 LED60-4S/740 II DM32 MSP CLO SRT	IK09	Surge protection level until 10 kV differential mode

Order Code	Full Product Name	Mech. impact protection code	Surge Protection (Common/Differential)
910925867786	BGP702 LED60-4S/740 II DM11 CLO SRT SRB	IK09	Luminaire surge protection level until 6 kV differential mode and 8 kV common mode
910925867787	BGP702 LED60-4S/740 II DM11 CLO SRT SRB	IK09	Luminaire surge protection level until 6 kV differential mode and 8 kV common mode
910925868042	BGP702 LED60-4S/740 DM11 PGR SRT SRB 60	IK09	Luminaire surge protection level until 6 kV differential mode and 8 kV common mode
910925868043	BGP702 LED40-4S/740 DM10 PGR SRT SRB 60	IK09	Luminaire surge protection level until 6 kV differential mode and 8 kV common mode
910925868044	BGP702 LW10 LED50-4S/830 DM11 PGR CTGO	IK09	Luminaire surge protection level until 6 kV differential mode and 8 kV common mode
910925868801	BGP702 LED60-4S/730 DM11 DDF27 D18 SRG10	IK10	Luminaire surge protection level until 10 kV differential mode and 10 kV common mode
910925868225	BGP701 LED60-4S/740 II DM32 MSP CLO SRT	IK09	Surge protection level until 10 kV differential mode
910925868227	BGP701 LED40-4S/740 II DM10 MSP CLO SRT	IK09	Surge protection level until 10 kV differential mode
910925868799	BGP701 LED60-4S/730 DM11 DDF27 D18 SRG10	IK10	Luminaire surge protection level until 10 kV differential mode and 10 kV common mode
910925866542	BGP704 LED140-4S/740 DM50 GF SRT SRB 60	IK09	Luminaire surge protection level until 6 kV differential mode and 8 kV common mode
910925866543	BGP704 LED210-4S/830 II DX10 GF D18 DDF3	IK10	Luminaire surge protection level until 6 kV differential mode and 8 kV common mode
910925866544	BGP704 LW10 LED120-4S/830 DM11 GF CTGO	IK09	Luminaire surge protection level until 6 kV differential mode and 8 kV common mode

Order Code	Full Product Name	Mech. impact protection code	Surge Protection (Common/Differential)
910925867794	BGP704 LED260-4S/740 DM11 CLO SRT SRB 48	IK09	Luminaire surge protection level until 6 kV differential mode and 8 kV common mode
910925867795	BGP704 LED260-4S/740 DM11 CLO SRT SRB 48	IK10	Luminaire surge protection level until 6 kV differential mode and 8 kV common mode
910925868050	BGP704 LED140-4S/740 DM50 PGR SRT SRB 60	IK09	Luminaire surge protection level until 6 kV differential mode and 8 kV common mode
910925868051	BGP704 LED210-4S/830 II DX10 PGR DDF3 D1	IK10	Luminaire surge protection level until 6 kV differential mode and 8 kV common mode
910925868052	BGP704 LW10 LED120-4S/830 DM11 CTGO-DG	IK09	Luminaire surge protection level until 6 kV differential mode and 8 kV common mode
910925868792	BGP704 LED100-4S/740 II DM32 MSP CLO-DDF	IK09	Luminaire surge protection level until 6 kV differential mode and 8 kV common mode
910925868406	BGP713 LED120-4S/740 DM50 GF SRT SRB 60	IK09	Luminaire surge protection level until 6 kV differential mode and 8 kV common mode
910925868407	BGP713 LED100-4S/830 II DW50 GF SRT SRB	IK09	Luminaire surge protection level until 6 kV differential mode and 8 kV common mode
910925868408	BGP713 LED33-4S/610 DM11 SRT SRB 60/76P	IK09	Luminaire surge protection level until 6 kV differential mode and 8 kV common mode
910925868409	BGP713 LED50-4S/740 II DM11 GF EZR SRB 6	IK09	Luminaire surge protection level until 6 kV differential mode and 8 kV common mode
910925868226	BGP705 LED300-4S/740 II DM32 MSP CLO SRT	IK09	Surge protection level until 10 kV differential mode
910925867788	BGP703 LED60-4S/740 II DM31 MSP CLO SRT	IK09	Surge protection level until 10 kV differential mode
910925867142	BGP705 LED150-4S/740 DM11 GF SRT SRB 60/	IK09	Luminaire surge protection level until 6 kV differential mode and 8 kV common mode

Order Code	Full Product Name	Mech. impact protection code	Surge Protection (Common/Differential)
910925867143	BGP705 LED300-4S/740 II DM11 GF SRT SRB	IK09	Luminaire surge protection level until 6 kV differential mode and 8 kV common mode
910925866538	BGP703 LED120-4S/740 DM50 GF SRT SRB 60	IK09	Luminaire surge protection level until 6 kV differential mode and 8 kV common mode
910925866539	BGP703 LED100-4S/830 II DW50 GF SRT SRB	IK09	Luminaire surge protection level until 6 kV differential mode and 8 kV common mode
910925866540	BGP703 LED54-4S/610 DM11 GF SRT SRB 60/7	IK09	Luminaire surge protection level until 6 kV differential mode and 8 kV common mode
910925867789	BGP703 LED120-4S/740 II DM11 CLO SRT SRB	IK09	Luminaire surge protection level until 6 kV differential mode and 8 kV common mode
910925867790	BGP703 LED120-4S/740 II DM11 CLO SRT SRB	IK09	Luminaire surge protection level until 6 kV differential mode and 8 kV common mode
910925867791	BGP703 LED120-4S/740 II DM32 MSP CLO SRT	IK09	Surge protection level until 10 kV differential mode
910925868046	BGP703 LED120-4S/740 DM50 PGR SRT SRB 60	IK09	Luminaire surge protection level until 6 kV differential mode and 8 kV common mode
910925868047	BGP703 LED100-4S/830 II DW50 PGR SRT SRB	IK09	Luminaire surge protection level until 6 kV differential mode and 8 kV common mode
910925868048	BGP703 LED54-4S/610 DM11 PGR SRT SRB 60	IK09	Luminaire surge protection level until 6 kV differential mode and 8 kV common mode
910925868802	BGP703 LED120-4S/730 DM11 DDF27 D18 SRG1	IK10	Luminaire surge protection level until 10 kV differential mode and 10 kV common mode
910925867833	BGP702 LED50-4S/830 DM11 DDF27 D18 SRG10	IK10	Luminaire surge protection level until 10 kV differential mode and 10 kV common mode

Over Time Performance (IEC Compliant)

Order Code	Full Product Name	Driver failure rate at 5000 h
910925867835	BGP704 LED210-4S/830 DM11 DDF27 D18 SRG1	-
910925867324	BGP701 LED8-4S/740 DM11 FG GR 42/60P	-
910925867325	BGP701 LED40-4S/740 DM10 GF SRT SRB 42/6	-
910925867326	BGP701 LW10 LED50-4S/830 DM11 GF CTGO-DG	-
910925867834	BGP703 LED100-4S/830 DM11 DDF27 D18 SRG1	-
910925868136	BGP701 LED60-4S/740 II DM11 CLO SRT SRB	-

Order Code	Full Product Name	Driver failure rate at 5000 h
910925868137	BGP701 LED60-4S/740 II DM11 CLO SRT SRB	-
910925866534	BGP702 LED60-4S/740 DM11 GF SRT SRB 60/7	0.005 %
910925866535	BGP702 LED40-4S/740 DM10 GF SRT SRB 60/7	0.005 %
910925866536	BGP702 LW10 LED50-4S/830 DM11 GF CTGO	0.005 %
910925867784	BGP702 LED40-4S/740 II DM10 MSP CLO SRT	0.005 %
910925867785	BGP702 LED60-4S/740 II DM32 MSP CLO SRT	0.005 %

Order Code	Full Product Name	Driver failure rate at 5000 h
910925867786	BGP702 LED60-4S/740 II DM11 CLO SRT SRB	0.005 %
910925867787	BGP702 LED60-4S/740 II DM11 CLO SRT SRB	0.005 %
910925868042	BGP702 LED60-4S/740 DM11 PGR SRT SRB 60	-
910925868043	BGP702 LED40-4S/740 DM10 PGR SRT SRB 60	-
910925868044	BGP702 LW10 LED50-4S/830 DM11 PGR CTGO	-
910925868801	BGP702 LED60-4S/730 DM11 DDF27 D18 SRG10	-
910925868225	BGP701 LED60-4S/740 II DM32 MSP CLO SRT	-
910925868227	BGP701 LED40-4S/740 II DM10 MSP CLO SRT	-
910925868799	BGP701 LED60-4S/730 DM11 DDF27 D18 SRG10	-
910925866542	BGP704 LED140-4S/740 DM50 GF SRT SRB 60	0.005 %
910925866543	BGP704 LED210-4S/830 II DX10 GF D18 DDF3	0.005 %
910925866544	BGP704 LW10 LED120-4S/830 DM11 GF CTGO	0.005 %
910925867794	BGP704 LED260-4S/740 DM11 CLO SRT SRB 48	-
910925867795	BGP704 LED260-4S/740 DM11 CLO SRT SRB 48	-
910925868050	BGP704 LED140-4S/740 DM50 PGR SRT SRB 60	-
910925868051	BGP704 LED210-4S/830 II DX10 PGR DDF3 D1	-
910925868052	BGP704 LW10 LED120-4S/830 DM11 CTGO-DG	-
910925868792	BGP704 LED100-4S/740 II DM32 MSP CLO-DDF	-
910925868406	BGP713 LED120-4S/740 DM50 GF SRT SRB 60	-

Order Code	Full Product Name	Driver failure rate at 5000 h
910925868407	BGP713 LED100-4S/830 II DW50 GF SRT SRB	-
910925868408	BGP713 LED33-4S/610 DM11 SRT SRB 60/76P	-
910925868409	BGP713 LED50-4S/740 II DM11 GF EZR SRB 6	-
910925868226	BGP705 LED300-4S/740 II DM32 MSP CLO SRT	-
910925867788	BGP703 LED60-4S/740 II DM31 MSP CLO SRT	0.005 %
910925867142	BGP705 LED150-4S/740 DM11 GF SRT SRB 60/	0.005 %
910925867143	BGP705 LED300-4S/740 II DM11 GF SRT SRB	0.005 %
910925866538	BGP703 LED120-4S/740 DM50 GF SRT SRB 60	0.005 %
910925866539	BGP703 LED100-4S/830 II DW50 GF SRT SRB	0.005 %
910925866540	BGP703 LED54-4S/610 DM11 GF SRT SRB 60/7	0.005 %
910925867789	BGP703 LED120-4S/740 II DM11 CLO SRT SRB	0.005 %
910925867790	BGP703 LED120-4S/740 II DM11 CLO SRT SRB	0.005 %
910925867791	BGP703 LED120-4S/740 II DM32 MSP CLO SRT	0.005 %
910925868046	BGP703 LED120-4S/740 DM50 PGR SRT SRB 60	-
910925868047	BGP703 LED100-4S/830 II DW50 PGR SRT SRB	-
910925868048	BGP703 LED54-4S/610 DM11 PGR SRT SRB 60	-
910925868802	BGP703 LED120-4S/730 DM11 DDF27 D18 SRG1	-
910925867833	BGP702 LED50-4S/830 DM11 DDF27 D18 SRG10	-

Application Conditions

Order Code	Full Product Name	Maximum dim level
910925867835	BGP704 LED210-4S/830 DM11 DDF27 D18 SRG1	50%
910925867324	BGP701 LED8-4S/740 DM11 FG GR 42/60P	Not applicable
910925867325	BGP701 LED40-4S/740 DM10 GF SRT SRB 42/6	Not applicable
910925867326	BGP701 LW10 LED50-4S/830 DM11 GF CTGO-DG	Not applicable
910925867834	BGP703 LED100-4S/830 DM11 DDF27 D18 SRG1	50%
910925868136	BGP701 LED60-4S/740 II DM11 CLO SRT SRB	Not applicable
910925868137	BGP701 LED60-4S/740 II DM11 CLO SRT SRB	Not applicable
910925866534	BGP702 LED60-4S/740 DM11 GF SRT SRB 60/7	Not applicable
910925866535	BGP702 LED40-4S/740 DM10 GF SRT SRB 60/7	Not applicable
910925866536	BGP702 LW10 LED50-4S/830 DM11 GF CTGO	Not applicable
910925867784	BGP702 LED40-4S/740 II DM10 MSP CLO SRT	Not applicable
910925867785	BGP702 LED60-4S/740 II DM32 MSP CLO SRT	Not applicable
910925867786	BGP702 LED60-4S/740 II DM11 CLO SRT SRB	Not applicable
910925867787	BGP702 LED60-4S/740 II DM11 CLO SRT SRB	Not applicable
910925868042	BGP702 LED60-4S/740 DM11 PGR SRT SRB 60	Not applicable
910925868043	BGP702 LED40-4S/740 DM10 PGR SRT SRB 60	Not applicable
910925868044	BGP702 LW10 LED50-4S/830 DM11 PGR CTGO	Not applicable
910925868801	BGP702 LED60-4S/730 DM11 DDF27 D18 SRG10	50%
910925868225	BGP701 LED60-4S/740 II DM32 MSP CLO SRT	Not applicable
910925868227	BGP701 LED40-4S/740 II DM10 MSP CLO SRT	Not applicable
910925868799	BGP701 LED60-4S/730 DM11 DDF27 D18 SRG10	50%
910925866542	BGP704 LED140-4S/740 DM50 GF SRT SRB 60	Not applicable
910925866543	BGP704 LED210-4S/830 II DX10 GF D18 DDF3	30%
910925866544	BGP704 LW10 LED120-4S/830 DM11 GF CTGO	Not applicable
910925867794	BGP704 LED260-4S/740 DM11 CLO SRT SRB 48	Not applicable

Order Code	Full Product Name	Maximum dim level
910925867795	BGP704 LED260-4S/740 DM11 CLO SRT SRB 48	50%
910925868050	BGP704 LED140-4S/740 DM50 PGR SRT SRB 60	Not applicable
910925868051	BGP704 LED210-4S/830 II DX10 PGR DDF3 D1	30%
910925868052	BGP704 LW10 LED120-4S/830 DM11 CTGO-DG	Not applicable
910925868792	BGP704 LED100-4S/740 II DM32 MSP CLO-DDF	50%
910925868406	BGP713 LED120-4S/740 DM50 GF SRT SRB 60	Not applicable
910925868407	BGP713 LED100-4S/830 II DW50 GF SRT SRB	Not applicable
910925868408	BGP713 LED33-4S/610 DM11 SRT SRB 60/76P	Not applicable
910925868409	BGP713 LED50-4S/740 II DM11 GF EZR SRB 6	1%
910925868226	BGP705 LED300-4S/740 II DM32 MSP CLO SRT	Not applicable
910925867788	BGP703 LED60-4S/740 II DM31 MSP CLO SRT	Not applicable
910925867142	BGP705 LED150-4S/740 DM11 GF SRT SRB 60/	Not applicable
910925867143	BGP705 LED300-4S/740 II DM11 GF SRT SRB	Not applicable
910925866538	BGP703 LED120-4S/740 DM50 GF SRT SRB 60	Not applicable
910925866539	BGP703 LED100-4S/830 II DW50 GF SRT SRB	Not applicable
910925866540	BGP703 LED54-4S/610 DM11 GF SRT SRB 60/7	Not applicable
910925867789	BGP703 LED120-4S/740 II DM11 CLO SRT SRB	Not applicable
910925867790	BGP703 LED120-4S/740 II DM11 CLO SRT SRB	Not applicable
910925867791	BGP703 LED120-4S/740 II DM32 MSP CLO SRT	Not applicable
910925868046	BGP703 LED120-4S/740 DM50 PGR SRT SRB 60	Not applicable
910925868047	BGP703 LED100-4S/830 II DW50 PGR SRT SRB	Not applicable
910925868048	BGP703 LED54-4S/610 DM11 PGR SRT SRB 60	Not applicable
910925868802	BGP703 LED120-4S/730 DM11 DDF27 D18 SRG1	50%
910925867833	BGP702 LED50-4S/830 DM11 DDF27 D18 SRG10	50%

Polar Wide Diagrams

Polar Normal (separate) - BGP713I -
910925868406

Polar Normal (separate) - BGP713I -
910925868409

Polar Normal (separate) - BGP713I -
910925868407

Polar Normal (separate) - BGP713I -
910925868408

Polar Normal (separate) - BGP702I -
910925868801

Polar Normal (separate) - BGP704I -
910925866542

Polar Normal (separate) - BGP702I -
910925866535

Polar Normal (separate) - BGP703I -
910925866538

Polar Normal (separate) - BGP702I -
910925866536

Polar Wide Diagrams

Polar Normal (separate) - BGP702I -
910925866534

Polar Normal (separate) - BGP703I -
910925866539

Polar Normal (separate) - BGP704I -
910925866543

Polar Normal (separate) - BGP703I -
910925866540

Polar Normal (separate) - BGP704I -
910925866544

Polar Normal (separate) - BGP705I -
910925867142

Polar Normal (separate) - BGP701I -
910925867326

Polar Normal (separate) - BGP705I -
910925867143

Polar Normal (separate) - BGP701I -
910925867324

Polar Wide Diagrams

Polar Normal (separate) - BGP701I -
910925867325

Polar Normal (separate) - BGP701I -
910925868137

Polar Normal (separate) - BGP704I -
910925867794

Polar Normal (separate) - BGP704I -
910925868792

Polar Normal (separate) - BGP701I -
910925868799

Polar Normal (separate) - BGP703I -
910925868802

Polar Normal (separate) - BGP702I -
910925867785

Polar Normal (separate) - BGP703I -
910925867788

Polar Normal (separate) - BGP703I -
910925867791

Polar Wide Diagrams

Polar Normal (separate) - BGP703I -
910925867790

Polar Normal (separate) - BGP703I -
910925867834

Polar Normal (separate) - BGP704I -
910925867835

Polar Normal (separate) - BGP701I -
910925868225

Polar Normal (separate) - BGP705I -
910925868226

