



節能長效的解決方案

GreenSpace 吸頂筒燈

GreenSpace 吸頂 LED 筒燈是一款超值表現的 LED 筒燈。系統光效高達 100lm/W，比傳統筒燈節能高達 66%。簡約時尚的外形設計，大器美觀、清爽優雅，提升空間質感。一體輕量化設計，降低安裝成本。外觀設計簡潔時尚，適合室內室外環境使用，更可以用在一些無天花板的室內環境，例如機場、火車站等中高空間及公共場所。

优点

- 流明輸出：不同尺寸和安裝高度的流明不同，備有 1000lm、2000lm、3800lm 和 6600lm 可選。
- 兩種配光角度設計，滿足不同樓層高度的應用需求 (1000/2000lm 90°)
- 卓越照明效能：成色準確 (CRI>80) 和高系統效能 (100lm/w
- ~3800/6600lm 60°)，系統光效高達 100lm/W，演色性 CRI>80，有 IP20 和 IP65 兩種 IP 等級，能用於更多環境
- 種類：IP20、IP65 版本，備有不同流明輸出可選，同時提供量身打造黑色外罩選項
- 系統性能持久可靠，壽命長達 50000 小時
- 長效使用壽命：50,000 小時的使用壽命，確保長時間運作而節省成本

特点

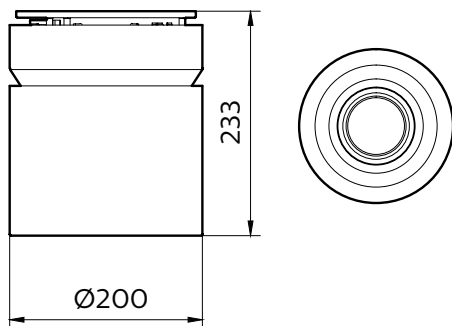
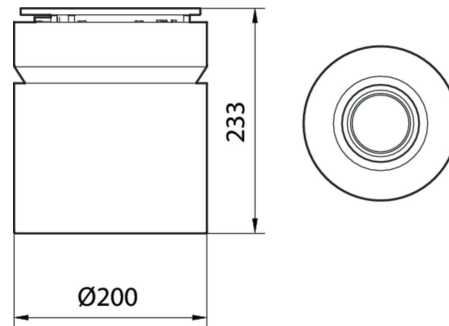
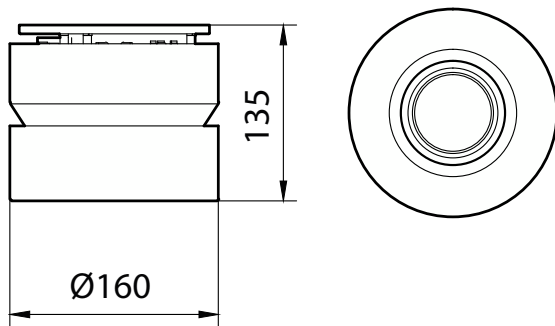
- 系統效能：100lm/W，與傳統下照燈相比，節能大幅提升 66%
- 系統光效高達 100lm/W，比傳統筒燈節能高達 66%
- 效能可靠：使用壽命 50,000 小時 (L70B50@Ta25°C)
- 持久可靠，壽命長達 50000 小時 (L70@25°C)
- 優異照明品質 - CRI>=80 @3000K、4000K 和 6500K
- 專業的光學設計及遮光保護，降低眩光，可達 UGR22，視覺效果更加舒適
- 整體輕量設計 - 大幅降低安裝成本
- 專業配光：兩種配光角度設計，滿足不同樓層高度的應用需求 (1000/2000lm 90°
- 3800/6600lm 60°)，3000K，4000K 和 6500K 三種標準色溫
- 一體輕量化設計，降低安裝成本

GreenSpace 吸頂筒燈

应用

- 購物中心
- 購物中心
- 車站大廳
- 零售店
- 遮雨篷
- 辦公室
- 機場公共區域
- 酒店
- 運動場公共區域
- 車站大廳
- 機場
- 體育場

二维绘图



一般資訊	
CE 標誌	CE 標誌
內附驅動器	是
灼熱絲測試	溫度 750°C、持續時間 5 秒
光源可更換	無
裝置部件數量	單位
照明技術	
光學罩類型	反射燈
演色性指數 (CRI)	>80
光學類型	高光鏡面
運轉與電力	
輸入電壓	220 至 240 V
線路頻率	50 or 60 Hz
溫度	
環境溫度範圍	-20 至 +40 °C
控制與調光	
可調光	否
認證與應用	
保護等級 IEC	安全等級 I
機械衝擊保護規範	IK02
初始效能 (符合 IEC 標準)	
光通量容限	+/-10%
長期效能 (符合 IEC 標準)	
中值使用壽命 L80B50	40,000 h
中值使用壽命 L90B50	20,000 h
應用條件	
適合隨機切換	無

照明技術

Order Code	Full Product Name	相關色彩溫度 (規範)	光效 (額定) (標準)	光通量
911401508831	SM291C LED10/830 PSU WH	3000 K	100 lm/W	1,000 lm
911401508931	SM291C LED10/840 PSU WH	4000 K	100 lm/W	1,000 lm
911401509031	SM291C LED10/865 PSU WH	6500 K	100 lm/W	1,000 lm
911401509131	SM291C LED10/830 PSU BK	3000 K	100 lm/W	1,000 lm
911401509231	SM291C LED10/840 PSU BK	4000 K	100 lm/W	1,000 lm
911401509331	SM291C LED10/865 PSU BK	6500 K	100 lm/W	1,000 lm
911401509431	SM293C LED20/830 PSU WH	3000 K	105 lm/W	2,000 lm
911401509531	SM293C LED20/840 PSU WH	4000 K	105 lm/W	2,000 lm
911401509631	SM293C LED20/865 PSU WH	6500 K	105 lm/W	2,000 lm
911401509731	SM293C LED20/830 PSU BK	3000 K	105 lm/W	2,000 lm
911401509831	SM293C LED20/840 PSU BK	4000 K	105 lm/W	2,000 lm
911401509931	SM293C LED20/865 PSU BK	6500 K	105 lm/W	2,000 lm
911401510031	SM294C LED40/830 PSU WH	3000 K	105 lm/W	3,800 lm
911401510131	SM294C LED40/840 PSU WH	4000 K	105 lm/W	3,800 lm
911401510231	SM294C LED40/865 PSU WH	6500 K	105 lm/W	3,800 lm
911401510331	SM294C LED40/830 PSU BK	3000 K	105 lm/W	3,800 lm
911401510431	SM294C LED40/840 PSU BK	4000 K	105 lm/W	3,800 lm
911401511231	SM294C LED40/830 PSU WP WH	3000 K	105 lm/W	3,800 lm
911401511331	SM294C LED40/840 PSU WP WH	4000 K	105 lm/W	3,800 lm
911401511431	SM294C LED40/865 PSU WP WH	6500 K	105 lm/W	3,800 lm
911401511631	SM294C LED40/840 PSU WP BK	4000 K	105 lm/W	3,800 lm
911401511731	SM294C LED40/865 PSU WP BK	6500 K	105 lm/W	3,800 lm
911401510631	SM295C LED68/830 PSU WH	3000 K	100 lm/W	6,600 lm
911401510731	SM295C LED68/840 PSU WH	4000 K	100 lm/W	6,600 lm
911401510831	SM295C LED68/865 PSU WH	6500 K	100 lm/W	6,600 lm
911401511031	SM295C LED68/840 PSU BK	4000 K	100 lm/W	6,600 lm
911401511931	SM295C LED68/840 PSU WP WH	4000 K	100 lm/W	6,600 lm
911401512231	SM295C LED68/840 PSU WP BK	4000 K	100 lm/W	6,600 lm
911401512331	SM295C LED68/865 PSU WP BK	6500 K	100 lm/W	6,600 lm

運轉與電力

Order Code	Full Product Name	耗電量	Order Code	Full Product Name	耗電量
911401508831	SM291C LED10/830 PSU WH	10 W	911401510131	SM294C LED40/840 PSU WH	36 W
911401508931	SM291C LED10/840 PSU WH	10 W	911401510231	SM294C LED40/865 PSU WH	36 W
911401509031	SM291C LED10/865 PSU WH	10 W	911401510331	SM294C LED40/830 PSU BK	36 W
911401509131	SM291C LED10/830 PSU BK	10 W	911401510431	SM294C LED40/840 PSU BK	36 W
911401509231	SM291C LED10/840 PSU BK	10 W	911401511231	SM294C LED40/830 PSU WP WH	36 W
911401509331	SM291C LED10/865 PSU BK	10 W	911401511331	SM294C LED40/840 PSU WP WH	36 W
911401509431	SM293C LED20/830 PSU WH	19 W	911401511431	SM294C LED40/865 PSU WP WH	36 W
911401509531	SM293C LED20/840 PSU WH	19 W	911401511631	SM294C LED40/840 PSU WP BK	36 W
911401509631	SM293C LED20/865 PSU WH	19 W	911401511731	SM294C LED40/865 PSU WP BK	36 W
911401509731	SM293C LED20/830 PSU BK	19 W	911401510631	SM295C LED68/830 PSU WH	66 W
911401509831	SM293C LED20/840 PSU BK	19 W	911401510731	SM295C LED68/840 PSU WH	66 W
911401509931	SM293C LED20/865 PSU BK	19 W	911401510831	SM295C LED68/865 PSU WH	66 W
911401510031	SM294C LED40/830 PSU WH	36 W	911401511031	SM295C LED68/840 PSU BK	66 W

GreenSpace 吸頂筒燈

Order Code	Full Product Name	耗電量
91140151931	SM295C LED68/840 PSU WP WH	66 W
91140151231	SM295C LED68/840 PSU WP BK	66 W

Order Code	Full Product Name	耗電量
911401512331	SM295C LED68/865 PSU WP BK	66 W

機械與外罩

Order Code	Full Product Name	外罩色彩
911401508831	SM291C LED10/830 PSU WH	白色
911401508931	SM291C LED10/840 PSU WH	白色
911401509031	SM291C LED10/865 PSU WH	白色
911401509131	SM291C LED10/830 PSU BK	黑色
911401509231	SM291C LED10/840 PSU BK	黑色
911401509331	SM291C LED10/865 PSU BK	黑色
911401509431	SM293C LED20/830 PSU WH	白色
911401509531	SM293C LED20/840 PSU WH	白色
911401509631	SM293C LED20/865 PSU WH	白色
911401509731	SM293C LED20/830 PSU BK	黑色
911401509831	SM293C LED20/840 PSU BK	黑色
911401509931	SM293C LED20/865 PSU BK	黑色
911401510031	SM294C LED40/830 PSU WH	白色
911401510131	SM294C LED40/840 PSU WH	白色
911401510231	SM294C LED40/865 PSU WH	白色

Order Code	Full Product Name	外罩色彩
911401510331	SM294C LED40/830 PSU BK	黑色
911401510431	SM294C LED40/840 PSU BK	黑色
911401511231	SM294C LED40/830 PSU WP WH	白色
911401511331	SM294C LED40/840 PSU WP WH	白色
911401511431	SM294C LED40/865 PSU WP WH	白色
911401511631	SM294C LED40/840 PSU WP BK	黑色
911401511731	SM294C LED40/865 PSU WP BK	黑色
911401510631	SM295C LED68/830 PSU WH	白色
911401510731	SM295C LED68/840 PSU WH	白色
911401510831	SM295C LED68/865 PSU WH	白色
911401511031	SM295C LED68/840 PSU BK	黑色
911401511931	SM295C LED68/840 PSU WP WH	白色
911401512231	SM295C LED68/840 PSU WP BK	黑色
911401512331	SM295C LED68/865 PSU WP BK	黑色

認證與應用

Order Code	Full Product Name	防水防塵規範 (IP)
911401508831	SM291C LED10/830 PSU WH	IP20
911401508931	SM291C LED10/840 PSU WH	IP20
911401509031	SM291C LED10/865 PSU WH	IP20
911401509131	SM291C LED10/830 PSU BK	IP20
911401509231	SM291C LED10/840 PSU BK	IP20
911401509331	SM291C LED10/865 PSU BK	IP20
911401509431	SM293C LED20/830 PSU WH	IP20
911401509531	SM293C LED20/840 PSU WH	IP20
911401509631	SM293C LED20/865 PSU WH	IP20
911401509731	SM293C LED20/830 PSU BK	IP20
911401509831	SM293C LED20/840 PSU BK	IP20
911401509931	SM293C LED20/865 PSU BK	IP20
911401510031	SM294C LED40/830 PSU WH	IP65
911401510131	SM294C LED40/840 PSU WH	IP65
911401510231	SM294C LED40/865 PSU WH	IP65

Order Code	Full Product Name	防水防塵規範 (IP)
911401510331	SM294C LED40/830 PSU BK	IP65
911401510431	SM294C LED40/840 PSU BK	IP65
911401511231	SM294C LED40/830 PSU WP WH	IP65
911401511331	SM294C LED40/840 PSU WP WH	IP65
911401511431	SM294C LED40/865 PSU WP WH	IP65
911401511631	SM294C LED40/840 PSU WP BK	IP65
911401511731	SM294C LED40/865 PSU WP BK	IP65
911401510631	SM295C LED68/830 PSU WH	IP65
911401510731	SM295C LED68/840 PSU WH	IP65
911401510831	SM295C LED68/865 PSU WH	IP65
911401511031	SM295C LED68/840 PSU BK	IP65
911401511931	SM295C LED68/840 PSU WP WH	IP65
911401512231	SM295C LED68/840 PSU WP BK	IP65
911401512331	SM295C LED68/865 PSU WP BK	IP65

初始效能 (符合 IEC 標準)

Order Code	Full Product Name	點火色度
911401508831	SM291C LED10/830 PSU WH	(0.44, 0.40) SDCM <5
911401508931	SM291C LED10/840 PSU WH	(0.38, 0.38) SDCM <5
911401509031	SM291C LED10/865 PSU WH	(0.31, 0.32) SDCM <5
911401509131	SM291C LED10/830 PSU BK	(0.44, 0.40) SDCM <5
911401509231	SM291C LED10/840 PSU BK	(0.38, 0.38) SDCM <5
911401509331	SM291C LED10/865 PSU BK	(0.31, 0.32) SDCM <5
911401509431	SM293C LED20/830 PSU WH	(0.44, 0.40) SDCM <5

Order Code	Full Product Name	點火色度
911401509531	SM293C LED20/840 PSU WH	(0.38, 0.38) SDCM <5
911401509631	SM293C LED20/865 PSU WH	(0.31, 0.32) SDCM <5
911401509731	SM293C LED20/830 PSU BK	(0.44, 0.40) SDCM <5
911401509831	SM293C LED20/840 PSU BK	(0.38, 0.38) SDCM <5
911401509931	SM293C LED20/865 PSU BK	(0.31, 0.32) SDCM <5
911401510031	SM294C LED40/830 PSU WH	(0.44, 0.40) SDCM <5
911401510131	SM294C LED40/840 PSU WH	(0.38, 0.38) SDCM <5

GreenSpace 吸頂筒燈

Order Code	Full Product Name	點火色度
911401510231	SM294C LED40/865 PSU WH	(0.31, 0.32) SDCM <5
911401510331	SM294C LED40/830 PSU BK	(0.44, 0.40) SDCM <5
911401510431	SM294C LED40/840 PSU BK	(0.38, 0.38) SDCM <5
911401511231	SM294C LED40/830 PSU WP WH	(0.44, 0.40) SDCM <5
911401511331	SM294C LED40/840 PSU WP WH	(0.38, 0.38) SDCM <5
911401511431	SM294C LED40/865 PSU WP WH	(0.31, 0.32) SDCM <5
911401511631	SM294C LED40/840 PSU WP BK	(0.38, 0.38) SDCM <5
911401511731	SM294C LED40/865 PSU WP BK	(0.31, 0.32) SDCM <5

Order Code	Full Product Name	點火色度
911401510631	SM295C LED68/830 PSU WH	(0.44, 0.40) SDCM<5
911401510731	SM295C LED68/840 PSU WH	(0.38, 0.38) SDCM<5
911401510831	SM295C LED68/865 PSU WH	(0.31, 0.32) SDCM<5
911401511031	SM295C LED68/840 PSU BK	(0.38, 0.38) SDCM<5
911401511931	SM295C LED68/840 PSU WP WH	(0.38, 0.38) SDCM<5
911401512231	SM295C LED68/840 PSU WP BK	(0.38, 0.38) SDCM<5
911401512331	SM295C LED68/865 PSU WP BK	(0.31, 0.32) SDCM<5

長期效能 (符合 IEC 標準)

Order Code	Full Product Name	5000 h 下的驅動器故障率
911401508831	SM291C LED10/830 PSU WH	1.00 %
911401508931	SM291C LED10/840 PSU WH	1.00 %
911401509031	SM291C LED10/865 PSU WH	1.00 %
911401509131	SM291C LED10/830 PSU BK	1.00 %
911401509231	SM291C LED10/840 PSU BK	1.00 %
911401509331	SM291C LED10/865 PSU BK	1.00 %
911401509431	SM293C LED20/830 PSU WH	1.00 %
911401509531	SM293C LED20/840 PSU WH	1.00 %
911401509631	SM293C LED20/865 PSU WH	1.00 %
911401509731	SM293C LED20/830 PSU BK	1.00 %
911401509831	SM293C LED20/840 PSU BK	1.00 %
911401509931	SM293C LED20/865 PSU BK	1.00 %
911401510031	SM294C LED40/830 PSU WH	1.00 %
911401510131	SM294C LED40/840 PSU WH	1.00 %
911401510231	SM294C LED40/865 PSU WH	1.00 %

Order Code	Full Product Name	5000 h 下的驅動器故障率
911401510331	SM294C LED40/830 PSU BK	1.00 %
911401510431	SM294C LED40/840 PSU BK	1.00 %
911401511231	SM294C LED40/830 PSU WP WH	1.00 %
911401511331	SM294C LED40/840 PSU WP WH	1.00 %
911401511431	SM294C LED40/865 PSU WP WH	1.00 %
911401511631	SM294C LED40/840 PSU WP BK	1.00 %
911401511731	SM294C LED40/865 PSU WP BK	1.00 %
911401510631	SM295C LED68/830 PSU WH	0.01 %
911401510731	SM295C LED68/840 PSU WH	0.01 %
911401510831	SM295C LED68/865 PSU WH	0.01 %
911401511031	SM295C LED68/840 PSU BK	0.01 %
911401511931	SM295C LED68/840 PSU WP WH	0.01 %
911401512231	SM295C LED68/840 PSU WP BK	0.01 %
911401512331	SM295C LED68/865 PSU WP BK	0.01 %

應用條件

Order Code	Full Product Name	最高調光等級
911401508831	SM291C LED10/830 PSU WH	-
911401508931	SM291C LED10/840 PSU WH	-
911401509031	SM291C LED10/865 PSU WH	-
911401509131	SM291C LED10/830 PSU BK	-
911401509231	SM291C LED10/840 PSU BK	-
911401509331	SM291C LED10/865 PSU BK	-
911401509431	SM293C LED20/830 PSU WH	-
911401509531	SM293C LED20/840 PSU WH	-
911401509631	SM293C LED20/865 PSU WH	-
911401509731	SM293C LED20/830 PSU BK	-
911401509831	SM293C LED20/840 PSU BK	-
911401509931	SM293C LED20/865 PSU BK	-
911401510031	SM294C LED40/830 PSU WH	-
911401510131	SM294C LED40/840 PSU WH	-
911401510231	SM294C LED40/865 PSU WH	-

Order Code	Full Product Name	最高調光等級
911401510331	SM294C LED40/830 PSU BK	-
911401510431	SM294C LED40/840 PSU BK	-
911401511231	SM294C LED40/830 PSU WP WH	-
911401511331	SM294C LED40/840 PSU WP WH	-
911401511431	SM294C LED40/865 PSU WP WH	-
911401511631	SM294C LED40/840 PSU WP BK	-
911401511731	SM294C LED40/865 PSU WP BK	-
911401510631	SM295C LED68/830 PSU WH	不適用
911401510731	SM295C LED68/840 PSU WH	不適用
911401510831	SM295C LED68/865 PSU WH	不適用
911401511031	SM295C LED68/840 PSU BK	不適用
911401511931	SM295C LED68/840 PSU WP WH	不適用
911401512231	SM295C LED68/840 PSU WP BK	不適用
911401512331	SM295C LED68/865 PSU WP BK	不適用

