

INSTALLATION INSTRUCTIONS: GX4 LUMILOCK INSTALLATION AND RETROFIT



READ THESE INSTRUCTIONS CAREFULLY BEFORE INSTALLING THIS FIXTURE!



ATTENTION:

All wiring must be done by a qualified electrician.



WARNING:

Install, operate and maintain to meet all applicable codes.



WARNING:

Make sure that power is disconnected before performing installation and maintenance on this fixture.



WARNING:

This fixture is intended to be wired in accordance with the National Electrical Code and local code specifications. Failure to adhere to these codes may result in serious personal injury.

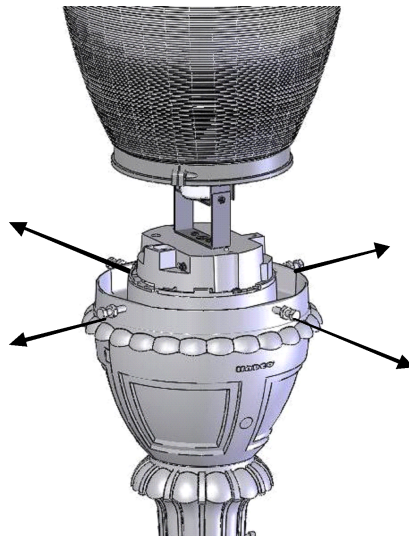
GX4 LumiLock Installation and Retrofit Instructions (HID/GX1/GX2/GX3→GX4)

1 Remove Globe

-Loosen but do not remove four (4) screws as shown.

-Lift globe from fixture.

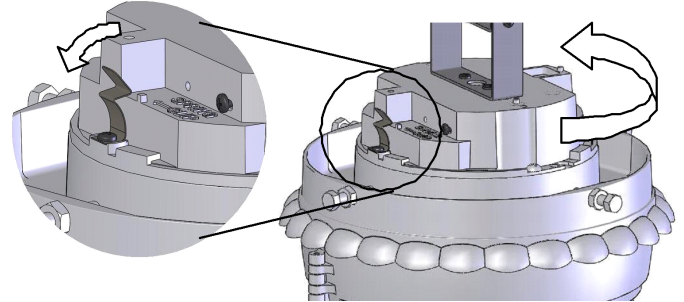
NOTE: Do not remove or loosen cage, if present.



2 Remove Ballast/LED Assembly

-Pull spring clip to release ballast module, twist ballast module counter-clockwise, and lift to remove.

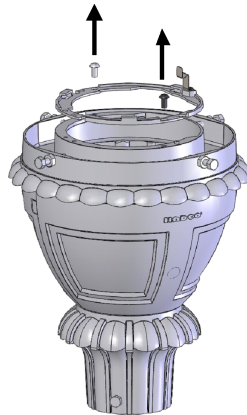
-Disconnect blue power quick disconnect.



3 Remove TwistLock Ring (HID/GX1→GX4 Retrofits Only)

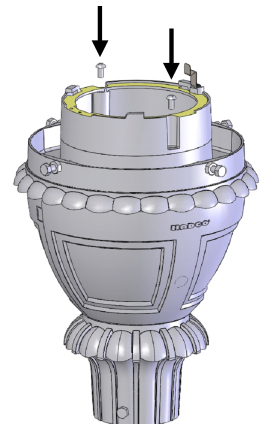
-Remove two (2) existing screws as shown (if applicable).

-Lift ring from fixture.



4 Install Adapter Ring (HID/GX1→GX4 Retrofits Only)

-Fasten with two (2) provided screws as shown.



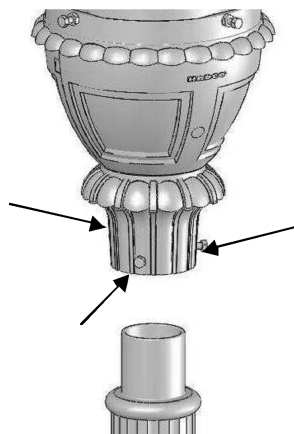
5 Mount the Fixture (if applicable)

-Route supply wires through post fitter.

-Place luminaire on pole or tenon.

-Orient door and/or photocell window (if present) to desired location.

-Do not tighten post fitter screws until optics have been correctly oriented.



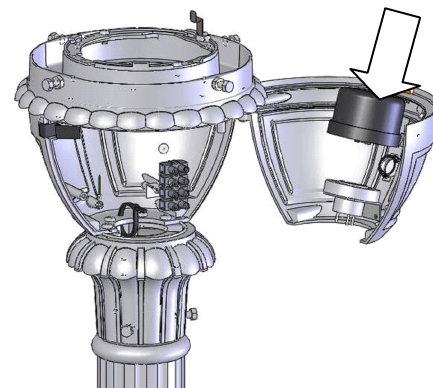
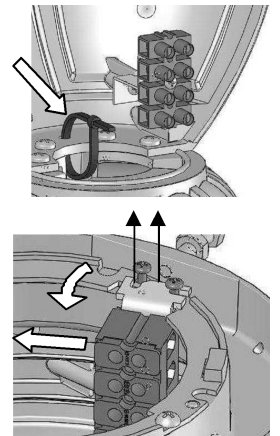
6 Connect Supply Wiring (if applicable)

-Open pod access door.

-Connect supply wires to terminal block. (Loosen screws and remove terminal block per picture at right if necessary for easier wiring. Replace terminal block.)

- If luminaire is equipped with twistlock photocell receptacle on door, install either photoeye or shorting cap (supplied separately).

NOTE: Supply wires must be routed through supplied wire tie.



GX4 LumiLock Installation and Retrofit Instructions (HID/GX1/GX2/GX3→GX4)

7 Install GX4 LumiLock with LED

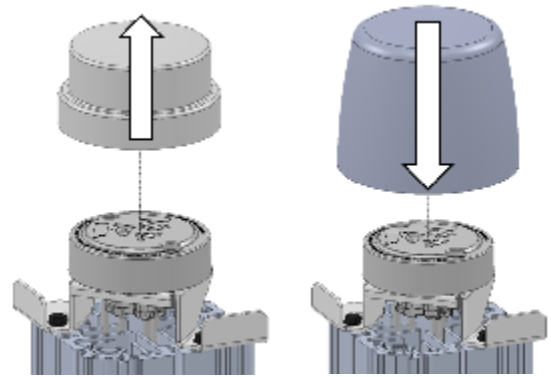
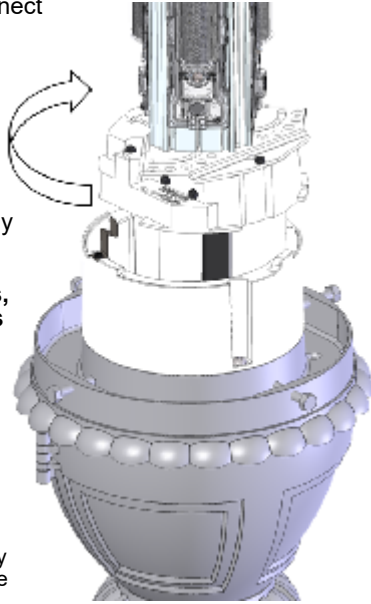
- Connect blue power quick disconnect on the LED module.
- Ensure that wiring is not pinched.
- Install as shown at right and twist into place.
- Spring will snap in place where indicated when module is properly engaged.

NOTE: For asymmetric modules, loosen the post fitter set screws and rotate to orient 'Street Side' label toward the street.

- Torque post fitter hardware as follows:

- Hex bolts (130 in-lbs.)
- Set screws (130 in-lbs.)*

*For set screws, ensure drive bit is fully engaged before torquing otherwise the screw drive may strip out.



8 Optional: Install connected controls (GX4) LumiLock with photocell receptacle only)

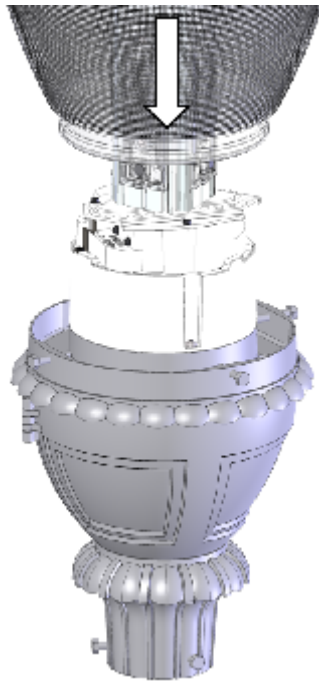
- Remove shoring cap from LumiLock module.
- If photocell receptacle in pod is present, install shoring cap here.
- Install connected control (provided separately).
- If switching from from Type III to V or vice versa, complete changeover before installing connected control.

9 Replace Globe

- Carefully lower globe onto fixture.

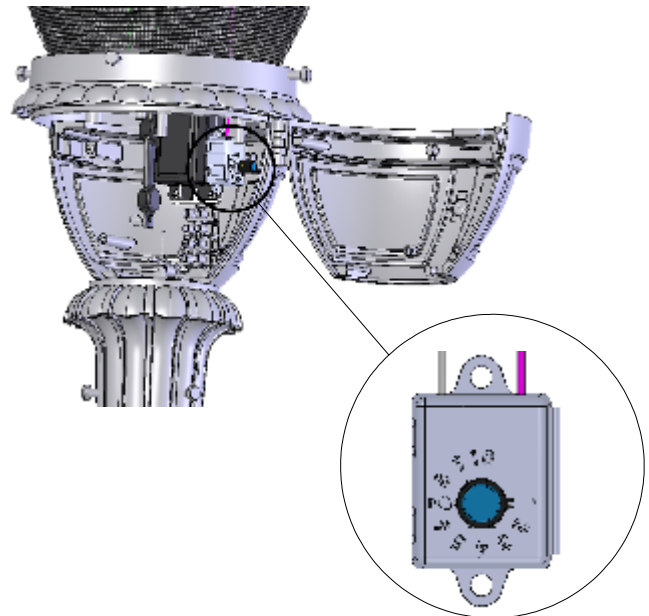
NOTE: Take care not to hit the LumiLock module.

- Tighten four (4) globe screws until all are in contact with globe.
- Torque to 17 in-lbs.

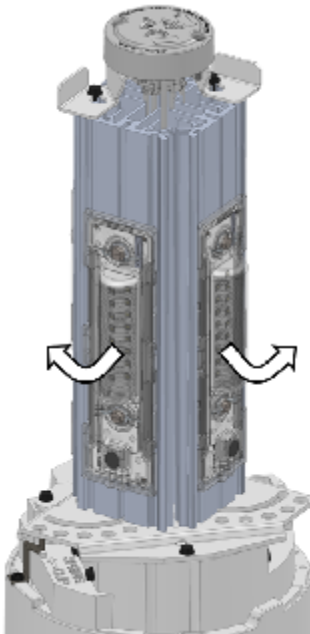
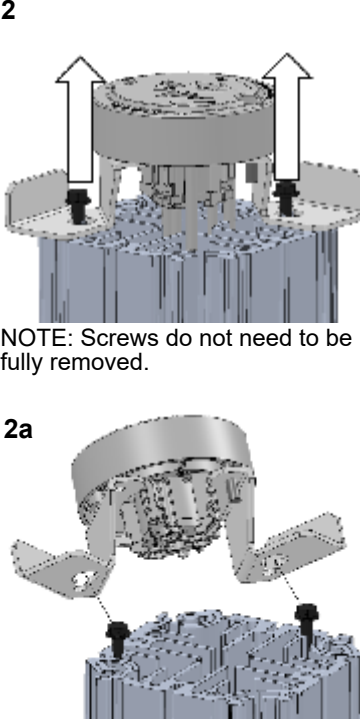
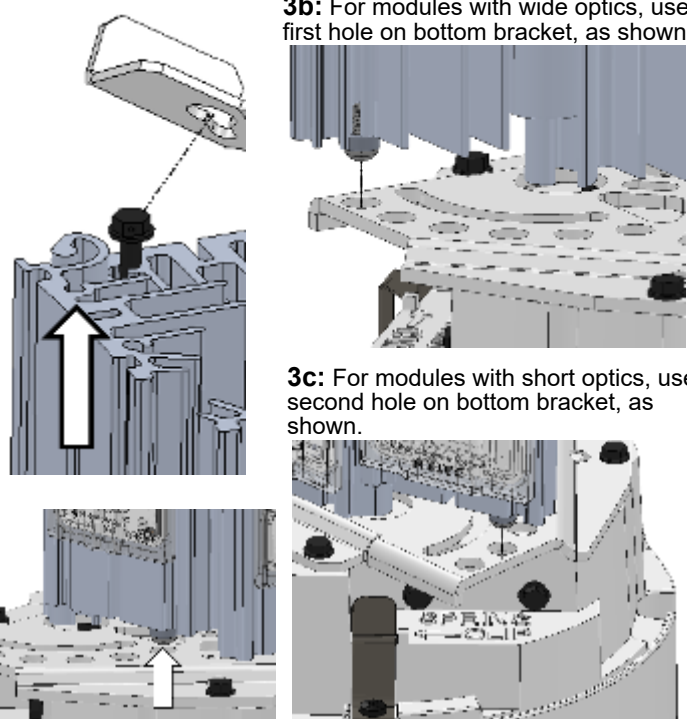


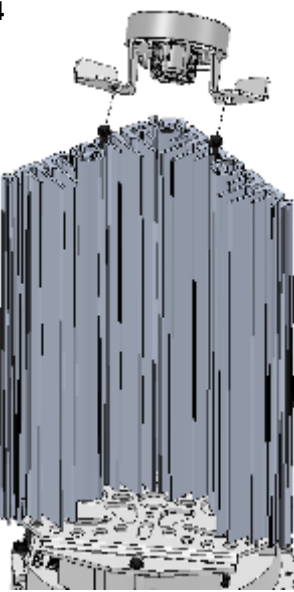
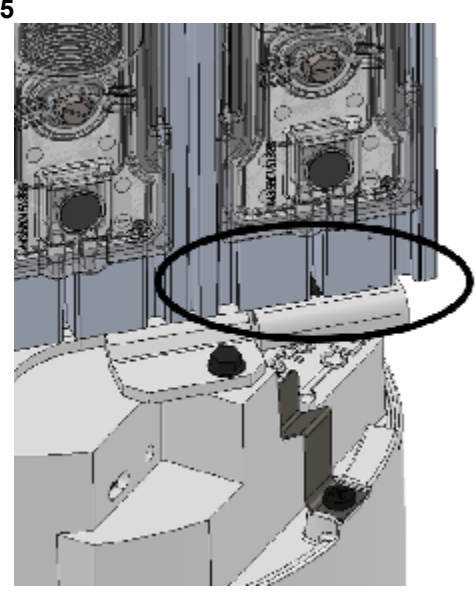
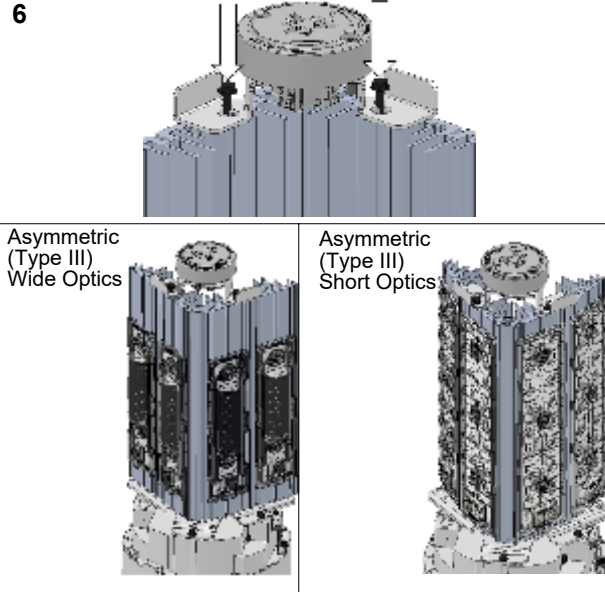
10 If module has FAWS, set switch position to desired setting

- Switch comes factory set to position 10 (full fixture power, 0% dimming).
- Switch knob has hard-stop at position 1 and position 10.
- Reference FAWS chart in product specification sheets for switch position performances. Product specification sheets may be found at www.hadco.com. Search for "RPTLD" and navigate to "Downloads" section.



Changing Distribution for GX4 LumiLock, Type V* to Type III*

<p>1</p>  <p style="text-align: center;">Symmetric (Type V) (Wide Optic variation shown)</p>	<p>2</p>  <p style="text-align: center;">NOTE: Screws do not need to be fully removed.</p> <p>2a</p>	<p>3</p>  <p>3b: For modules with wide optics, use first hole on bottom bracket, as shown.</p> <p>3c: For modules with short optics, use second hole on bottom bracket, as shown.</p>
<p>1 Indicated light bars must be moved to new position.</p>	<p>2 Loosen 2x screws indicated (2) and remove top bracket from screws using keyed holes (2a).</p>	<p>3 Lift one light bar up (3) until spacer clears hole (approximately 3/8") in bottom bracket (3a) and rotate to new position (3b, 3c). Repeat for remaining light bar.</p>

<p>4</p> 	<p>5</p> 	<p>6</p>  <div style="display: flex; justify-content: space-around; margin-top: 10px;"> <div style="text-align: center;"> <p>Asymmetric (Type III) Wide Optics</p> </div> <div style="text-align: center;"> <p>Asymmetric (Type III) Short Optics</p> </div> </div>	
<p>4 Re-attach top bracket to screws using keyed slots.</p>	<p>5 Before tightening top bracket screws, ensure no wires are pinched between heatsinks and bottom bracket. Bottom of heatsinks should be in full contact with bracket, with no gap between them.</p>	<p>6 Re-secure top bracket with 2x screws. Torque screws to 17 in-lbs.</p>	

***Changing Distribution for GX4 LumiLock, Type III to Type V:** Follow steps 2-6, except heatsink will move from positions indicated for Type III configuration to furthestmost positions (see fig. 3a). When completed, heatsinks should form a square and each heatsink should be perpendicular to adjacent heatsinks. Both wide and short optic variations use the same holes in Type V configurations.