

12 VOLT 72 WATT EMERGENCY UNIT 120VAC OR 277VAC OPERATION INSTALLATION AND OPERATING INSTRUCTIONS

IMPORTANT SAFEGUARDS

When using electrical equipment, basic safety precautions should always be followed, including the the following:

READ AND FOLLOW ALL SAFETY INSTRUCTIONS

- All servicing should be performed by qualified personnel only.
- Do not use this equipment outdoors.
- Equipment should be mounted in locations and at heights where it will not readily be subjected to tampering by unauthorized personnel.
- The use of accessory equipment not recommended by the manufacturer may cause an unsafe condition.
- Do not let power supply cords touch hot surfaces.
- Do not mount near gas or electric heaters.

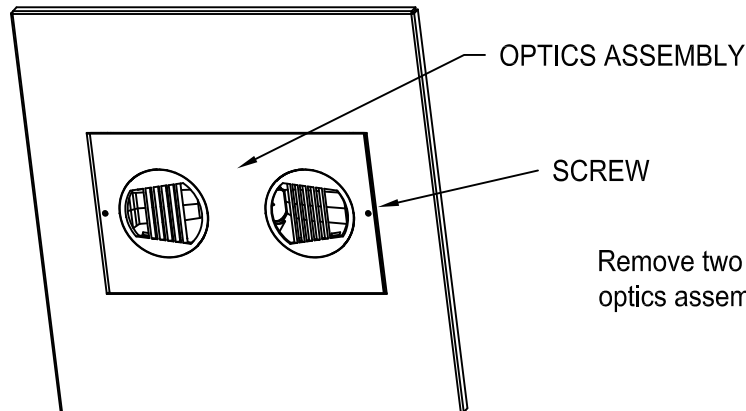
- **CAUTION:** Halogen cycle lamp(s) are used in this equipment. To avoid shattering; Do not operate lamp in excess of rated voltage, protect lamp against abrasion and scratches and against liquids when lamp is operating, dispose of lamp with care.
- Halogen cycle lamps operate at high temperatures. Do not store or place flammable materials near lamp.
- **CAUTION:** "To avoid electrical overload, total connected lamp load (factory and field installed) should not exceed output rating."
- Do not use this equipment for other than intended use.
- This product is U.L. approved for use in IC rated ceilings.

SAVE THESE INSTRUCTIONS WARNING

Shut off AC power to branch circuits to which units will be connected. All wiring should be per National Electrical Code and local regulations.

INSTRUCTIONS - INSTALLATION

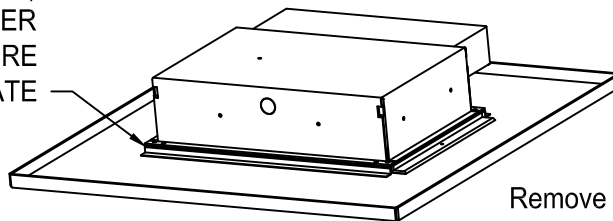
1



Remove two screws and set optics assembly aside.

2

INSTALL ONE #8 NUT
(SUPPLIED IN HARDWARE KIT)
ON EACH CORNER
TO FASTEN ENCLOSURE
TO FACEPLATE

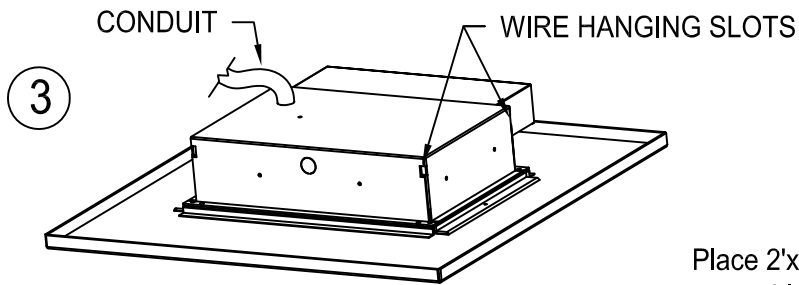


Remove desired AC conduit entry knockout from enclosure. Fasten enclosure assembly to face plate using nut kit supplied.

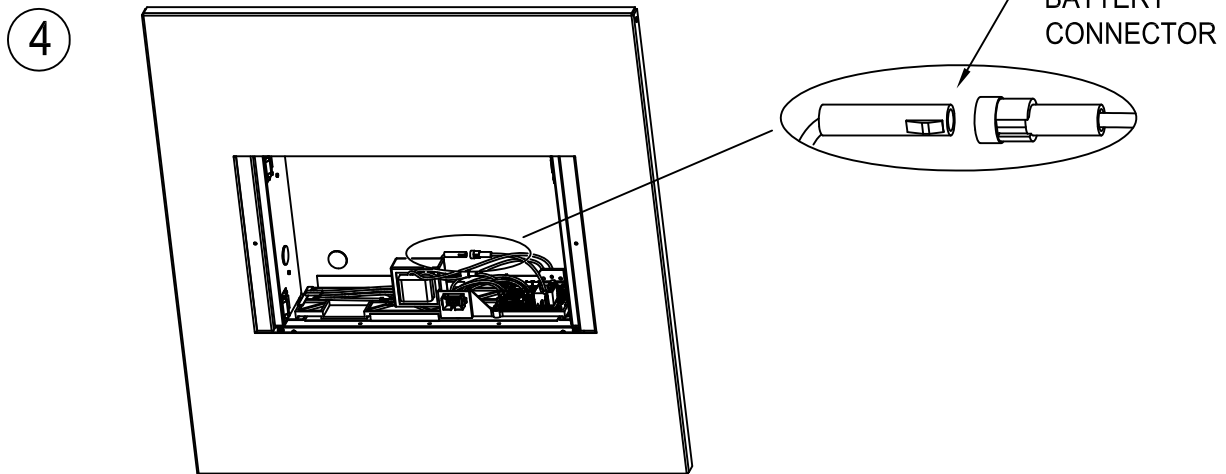
PAGE 1

CAUTION: THE INSTALLATION AND SERVICING OF THIS PRODUCT SHOULD BE PERFORMED BY A QUALIFIED ELECTRICIAN OR SERVICE PERSONNEL

ATTENTION : L'INSTALLATION ET L'ENTRETIEN DE CE PRODUIT DOIVENT ÊTRE EFFECTUÉS PAR UN ÉLECTRICIEN OU UN MEMBRE DU PERSONNEL QUALIFIÉ.



Place 2'x2' faceplate and enclosure assembly into ceiling grid. Connect AC service conduit to enclosure. Rectangular slots are provided at each corner of enclosure for wire hanging as shown.



Connect red battery lead by pushing connector halves together (see above). Make AC service connections. See table below for wiring guide.

INSTRUCTIONS - HOOKUP

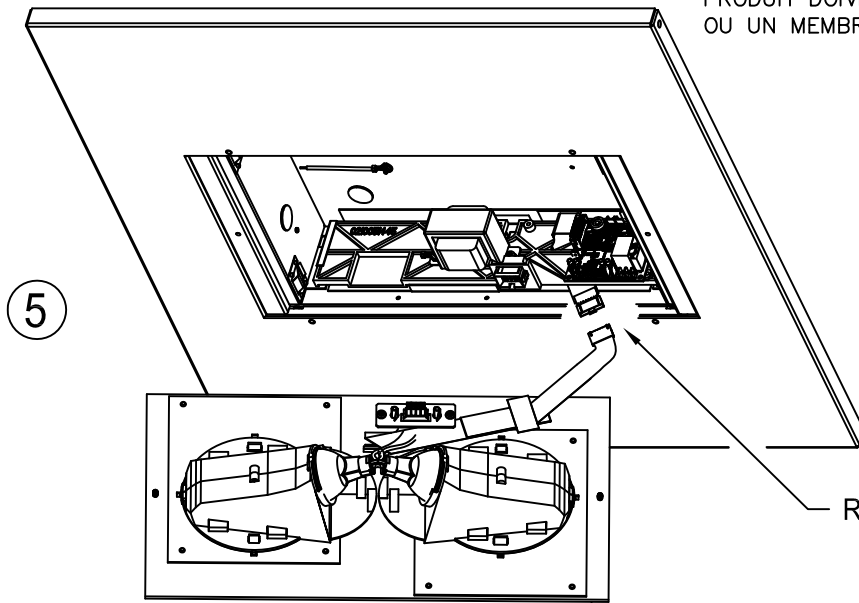
AC HOOKUP

120 VAC OPERATION	277 VAC OPERATION
White Wire - Common	White Wire - Common
Black Wire - 120V Line	Blue Wire - 277V Line
Blue Wire - Cap Off	Black Wire - Cap Off
Green Wire - Ground	Green Wire - Ground

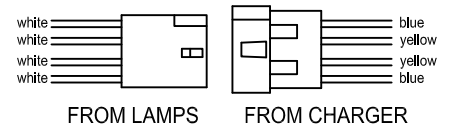
CAUTION:
Unused primary wire must be insulated to prevent shorting.

CAUTION: THE INSTALLATION AND SERVICING OF THIS PRODUCT SHOULD BE PERFORMED BY A QUALIFIED ELECTRICIAN OR SERVICE PERSONNEL

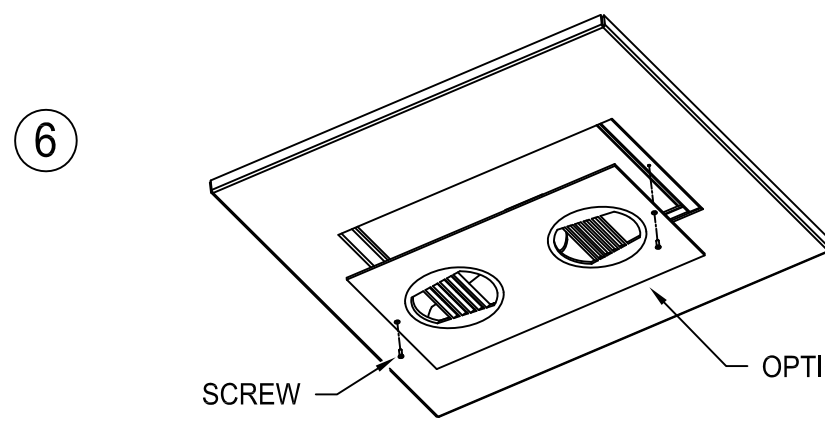
ATTENTION : L'INSTALLATION ET L'ENTRETIEN DE CE PRODUIT DOIVENT ÊTRE EFFECTUÉS PAR UN ÉLECTRICIEN OU UN MEMBRE DU PERSONNEL QUALIFIÉ.



Connect flex cable connectors from circuit board assembly and optics assembly together as shown. Connect 4 pin lamp connector to mating 4 pin connector from circuit board assembly.



RIBBON CABLE CONNECTORS



Reinstall optics assembly as shown using two screws provided. Energize AC supply. See "SELF TESTING DIAGNOSTICS SYSTEM OPERATION" on page 4 to check for proper function of unit.

CAUTION!

The halogen lamps used in this product operate at very high temperatures. Care should be taken when servicing unit to avoid burns.

NOTE:

- A. This equipment is provided with a lockout feature whereby connecting battery leads prior to energizing AC power will not turn on the emergency lamps. After AC power is energized the emergency lamps will turn on upon AC power failure.
- B. This equipment is provided with a low battery disconnect feature which prevents full discharge of batteries. If the building is to be unoccupied for an extended period and AC power is shut off, the batteries should be disconnected from the charger to prevent damage.
- C. The batteries provided in this equipment are sealed and require no maintenance.

CAUTION: Electrical luminaires are designed for permanent installation in ordinary (Non-Hazardous) locations in accordance with the National Electrical Code and all applicable local codes. Do not use in areas of limited ventilation or in high ambient enclosures. The lamp and luminaire operate at high temperatures, contact with combustible materials can cause fire and personal contact can cause severe burns.

ATTENTION: Ce luminaire a été conçu pour une installation permanente dans un emplacement régulier (non dangereux) et en conformité avec le Code électrique canadien et codes locaux applicables. Ne jamais installer dans un endroit où la ventilation est limitée ou dans des boîtiers où la température ambiante est très élevée. La lampe et le luminaire fonctionnent à des températures élevées, un contact avec des matériaux combustibles peut engendrer un incendie et un contact corporel peut causer de sévères brûlures.

Self Diagnostic System Operation - Emergency Light or EXIT Sign Products

Normal Power Up Sequence

At power up the red and green LED indicators will alternately flash for one to two seconds. Next the product will execute a "Power Up Quick Test" causing the green LED indicator to flash rapidly. If any faults are detected during the "Power Up Quick Test" these will be evident by a flashing red LED indicator. If the audible diagnostic option has been ordered, the flashing red LED will be accompanied by a simultaneous beeping tone. **(Note: A continuous rapid alternating Red/Green flash with rapid beeping tone indicates 277V applied to 120V input lead. TURN OFF POWER IMMEDIATELY!)**

Emergency Operation

Emergency operation occurs when AC power fails. The product remains in emergency operation until AC power is restored or battery capacity is depleted. During emergency operation both red and green LED indicators are disabled.

User Interface

Green LED indicator

- Slow Flash/Continuous ON = AC power present; normal operating condition
- Rapid Flash = product performing an automatic or manually initiated diagnostic test

Red LED indicator

- Single Flash = battery fault
- Two Flashes = lamp failure (light bar failure - EXIT signs)
- Three Flashes = charger fault
- Four Flashes = transfer fault

(If more than one fault condition is present simultaneously, the red LED will flash the indication pattern for each fault independently then repeat the cycle.)

Pushbutton Test Switch

- Long Press (longer than 0.5sec) transfers product to emergency operation during time the button is pressed.
- Short Press initiates self diagnostic activities as follows:
 - One Press cancels diagnostic test presently running.
 - Two Presses starts a one minute diagnostic test.
 - Three Presses starts a 90 minute diagnostic test.
 - Four Presses conducts a lamp load calibration (emergency light products only).
 - Seven Presses initiates a system reset.

(Note: the microprocessor will allow up to seven, one minute diagnostic tests within the first 24 hours of operation. Allow 24 hours of charging before performing any long duration testing.)

Buzzer (optional)- Sounds in unison with the flashing red LED if a fault condition is present. Buzzer may be silenced for up to 196 hours by a short press of either the test switch or the optional IR remote control device "silence" button. Correcting fault condition will cancel fault notification. Lamp failure indication requires a manually activated diagnostic test after lamp replacement to cancel notification.

IR Remote Control (optional)- is a hand held device that allows remote activation of diagnostic testing and silencing of the optional buzzer during fault conditions.

CAUTION: Electrical luminaires are designed for permanent installation in ordinary (Non-Hazardous) locations in accordance with the National Electrical Code and all applicable local codes. Do not use in areas of limited ventilation or in high ambient enclosures. The lamp and luminaire operate at high temperatures, contact with combustible materials can cause fire and personal contact can cause severe burns.

ATTENTION: Ce luminaire a été conçu pour une installation permanente dans un emplacement régulier (non dangereux) et en conformité avec le Code électrique canadien et codes locaux applicables. Ne jamais installer dans un endroit où la ventilation est limitée ou dans des boîtiers où la température ambiante est très élevée. La lampe et le luminaire fonctionnent à des températures élevées, un contact avec des matériaux combustibles peut engendrer un incendie et un contact corporel peut causer de sévères brûlures.

PAGE 4



Signify North America Corporation
200 Franklin Square Drive
Somerset, NJ 08873, USA
Phone: 855-486-2216
www.chloride-lighting.com

Signify Canada Ltd./Signify Canada Ltée.
281 Hillmount Road
Markham ON, Canada L6C 2S3
Phone: 800-668-9008

443580499321
AUGUST, 2018