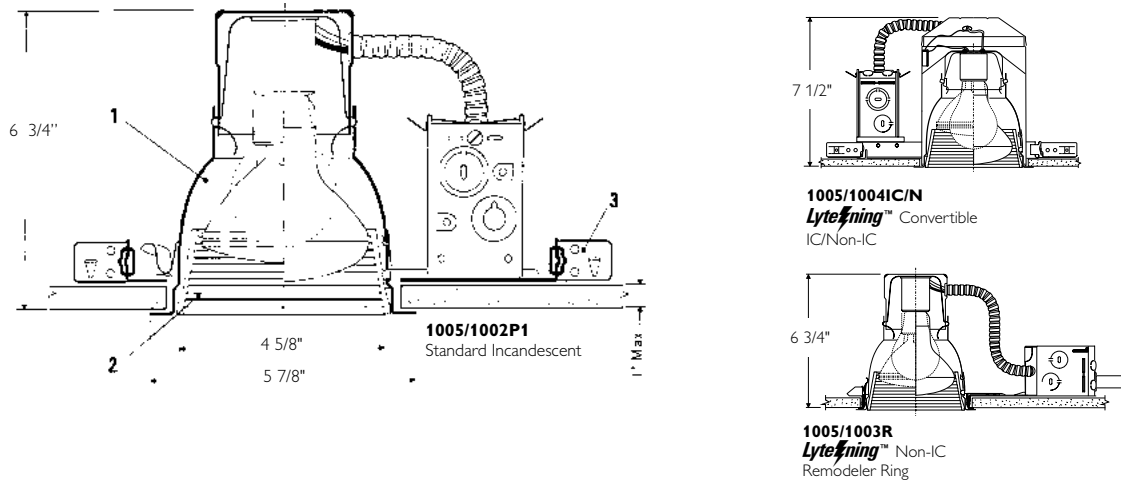


5" Aperture Step Baffle Reflector Trim

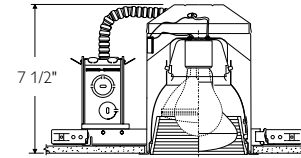
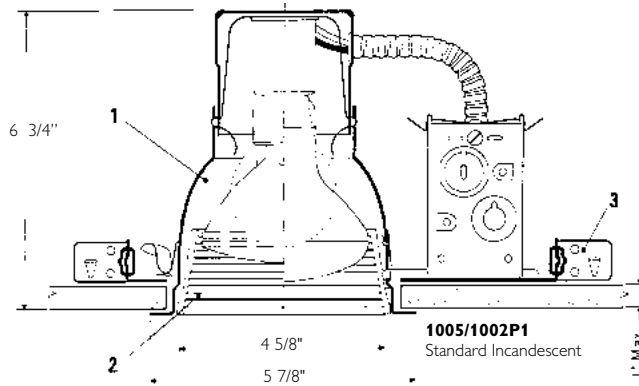


Complete Fixture consists of Reflector Trim & Frame-In Kit. Select each separately.

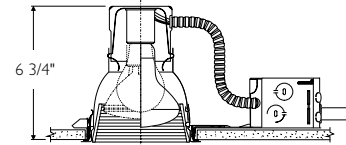
Reflector Trim	Frame-In Kit — See Individual Frame-In Kit Specification Sheets							
	LED				Incandescent			
1005 Matte Black	Frame-In Kit	Installation Type	Lamping	Height	Frame-In Kit	Ceiling Type	Lamping	Height
1005BNM Natural Metal baffle Natural Metal flange	1001LED	Non-IC	LED	6 3/4"	1000IC 1000AICM 1004ICX/N	IC	40W A19	7 5/16"
	1001LEDEM	Non-IC EM	LED	6 3/4"		IC AirSeal	75W PAR30	7 5/16"
	1000LEDREM	Non-IC	LED	6 3/4"		IC AirSeal	65W BR30	7 1/4"
	L56LED	Remodeler Non-IC Retrofit	LED	6 3/4"				
1005NM Matte Black with Natural Metal flange	Incandescent				1004IC/N	IC	60W BR30	7 1/2"
	Frame-In Kit	Ceiling Type	Lamping	Height	1004ICR 1004SIC/N 1004SICR	IC Remodeler IC IC Remodeler	50W PAR30L	7 1/2" 5 1/2" 5 1/2"
1005WH Matte White	1002P1	Non-IC	75W A19, PAR30L 75W BR30	6 3/4"	1004IC/N	Non-IC	75W PAR30L	7 1/2"
	1000P1	Non-IC			1004ICR	Non-IC Remodeler	75W BR30 40W A19	7 1/2"
	1003R	Non-IC Remodeler	75W A19, PAR30L 85W BR30	6 3/4"	1004SIC/N 1004SICR	Non-IC Non-IC Remodeler	75W PAR30L 75W BR30	5 1/2" 5 1/2"

Job Information	Type:
Job Name:	
Cat. No.:	
Notes:	

5" Aperture Step Baffle Reflector Trim



1005/1004IC/N
Lytefning™ Convertible
IC/Non-IC



1005/1003R
Lytefning™ Non-IC
Remodeler Ring

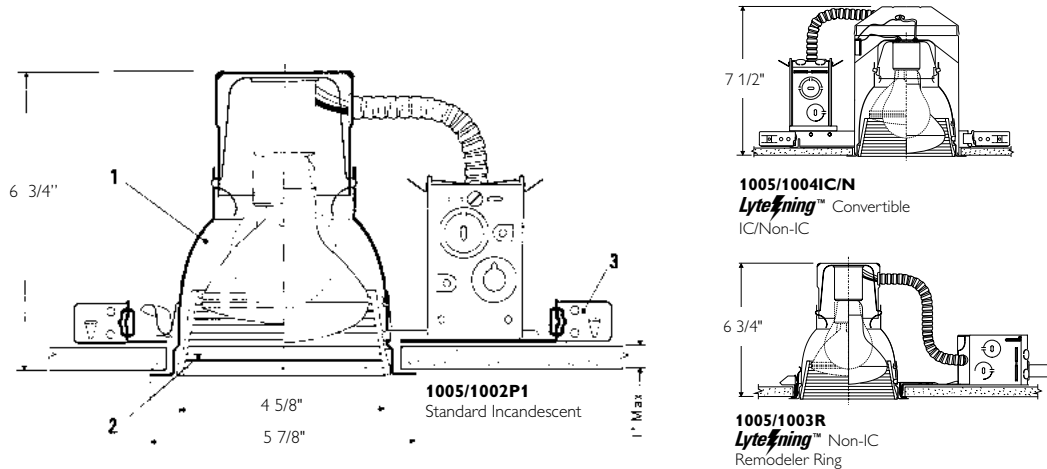
Complete Fixture consists of Reflector Trim & Frame-In Kit. Select each separately.

Reflector Trim	Frame-In Kit — See Individual Frame-In Kit Specification Sheets							
	Incandescent				Fluorescent			
	Frame-In Kit	Ceiling Type	Lamping	Height	Frame-In Kit	Ceiling Type	Lamping	Height
1005 Matte Black								
1005BNM Natural Metal baffle Natural Metal flange	1000IC 1000AICM 1004ICX/N	IC IC AirSeal IC AirSeal	40W A19 75W PAR30 65W BR30	7 5/16" 7 5/16" 7 1/4"	1001F13U Series	Uniframe Non-IC	(1) Triple 13W (GX24q-1)	5 7/8"
1005NM Matte Black with Natural Metal flange	1004IC/N 1004ICR 1004SIC/N 1004SICR	IC IC Remodeler IC IC Remodeler	60W BR30 50W PAR30L	7 1/2" 7 1/2" 5 1/2" 5 1/2"	1001F18U Series 1004F13 Series 1004F18 Series	Uniframe Non-IC IC IC	(1) Triple 18W (GX24q-2) (1) Quad/Triple 13W (GX24q-1) (1) Triple 18W (GX24q-2)	5 7/8" 7 1/2" 7 1/2"
1005WH Matte White	1004IC/N 1004ICR 1004SIC/N 1004SICR	Non-IC Non-IC Remodeler Non-IC Non-IC Remodeler	75W PAR30L 75W BR30 40W A19 75W PAR30L 75W BR30	7 1/2" 7 1/2" 5 1/2" 5 1/2"	1004F26 Series 1001F13ICU/N 1001F18ICU/N	IC Performance IC Performance IC	(1) Triple 26W (GX24q-3) (1) Triple 13W (GX24q-1) (1) Triple 18W (GX24q-2)	7 1/2" 7 1/4" 7 1/4"

Job Information Type:

PHILIPS
LIGHTOLIER

5" Aperture Step Baffle Reflector Trim



Features

- 1. Reflector:** Hydroformed aluminum, .040" (18 ga.); Anobrite (anodic-processed) semi-specular finish for permanent reflectivity; matte white or Natural Metal trim flange.
- 2. Step Baffle:** Aluminum step baffle, painted or anodized finish.
- 3. Frame-In Kit:** (1002P1 standard frame shown). Other frames listed above and shown on the right. See Frame-In Kit specification sheet for more details.

Options & Accessories

- Retaining Clips:** 1955 - For Installing in Existing Ceiling
- Extra Wide Flange Trim Ring:** 1957 - 7" O.D.
- Spread Lens:** L56WWLENS - Proprietary spread lens for use with combination of wall washer optics and LED Frame-In Kits.

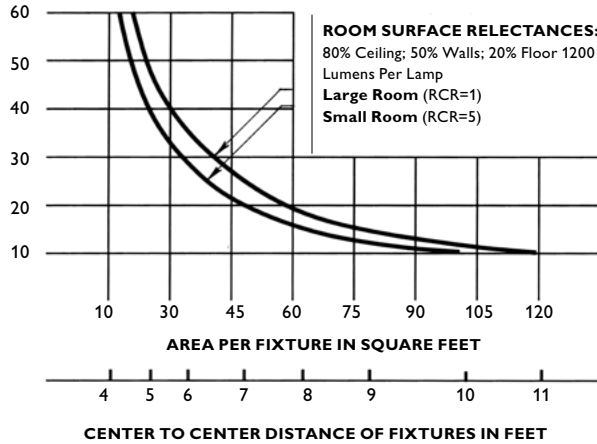
Labels

UL (Suitable for Damp Locations), I.B.E.W.

Job Information	Type:
------------------------	--------------

PHILIPS
LIGHTOLIER

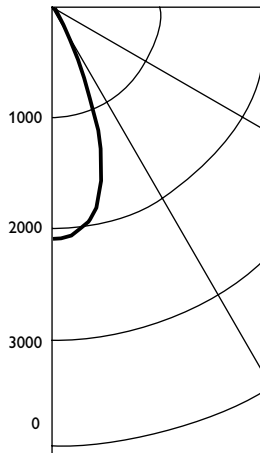
5" Aperture Step Baffle Reflector Trim



Use quick calculator chart to determine the spacing of 75 Watt PAR30 FL units (Black) for a desired level of illumination. Conversion Factors: 75W PAR30 FL, White, F.C. x 1.1

Certified Test Program No. 1868

Computed by LSI Program ****TEST-LITE**** Recessed Lytecaster Downlight 4 5/8" Dia. Aperture, Black Step Baffle One 75W PAR30 Flood Lamp, Lumnen Rating = 1275 LMS.



Tested according to IES Procedures. Test distance exceeds five times the greatest luminous opening of luminaire.

Angle	Mean CP
0	2087
5	2051
10	1972
15	1721
20	1233
25	643
30	293
35	155
40	95
45	54
50	15
55	2
60	1
65	1
70	1
75	1
80	1
85	1
90	1

Zonal lumens and percentages			
Zone	Lumens	%Lamp	%Luminaire
0-30	962	75.4	87
96	1066	83.6	96
0-60	1109	87.01	100
0-90	1111	87.20	100

****Efficiency = 87.2%**

		Coefficients of utilization									
		80%		70%		50%		0%			
Ceiling	Wall	50	30	10	50	30	10	50	30	10	0
		% WALL RELECTANCE									
Room Cavity Ratio	1	.99	.97	.96	.97	.95	.94	.93	.92	.91	.85
	2	.94	.92	.89	.93	.90	.89	.90	.88	.87	.81
	3	.90	.87	.85	.89	.87	.84	.87	.85	.83	.80
	4	.87	.84	.81	.86	.83	.81	.84	.82	.80	.77
	5	.84	.80	.77	.83	.79	.77	.81	.79	.76	.74
	6	.81	.77	.75	.80	.77	.74	.79	.76	.74	.72
	7	.78	.74	.72	.77	.74	.71	.76	.73	.71	.69
	8	.75	.71	.69	.74	.71	.69	.74	.71	.69	.67
	9	.72	.69	.66	.72	.69	.66	.71	.68	.66	.66
	10	.70	.67	.64	.70	.67	.64	.69	.66	.64	.63

Conversion Factor: 75W PAR30 FL; White, C.U. x 1.1 65W BR30 FL; Black, C.U. x .75; White, C.U. x 1.0.

To convert lighting data for a lower wattage incandescent lamp of the same type, multiply the footcandle (or candlepower) values by the ratio of the lumens of the two lamps. The coefficients of utilization remain the same.



Philips Lightolier
e: lol.webmaster@philips.com
t: (508) 679-8131
w: www.lightolier.com

1005 September 26, 2012

Specifications are subject to change without notice.
© Koninklijke Philips Electronics N.V., 2012. All rights reserved.

Job Information Type: