

# CHLORIDE

by  Signify

Exit & Emergency

Commercial Exit Sign

46 Line –Slender Die Cast Aluminum LED

## INSTALLATION INSTRUCTIONS Thin Die-Cast Exit Sign



## IMPORTANT SAFETY INSTRUCTIONS

### READ AND FOLLOW ALL SAFETY INSTRUCTIONS

**▲ WARNING: FAILURE TO FOLLOW THESE INSTRUCTIONS AND WARNINGS MAY RESULT IN DEATH, SERIOUS INJURY OR SIGNIFICANT PROPERTY DAMAGE** - For your protection, read and follow these warnings and instructions carefully before installing or maintaining this fixture. These instructions do not attempt to cover all installation and maintenance situations.

**▲ WARNING: RISK OF ELECTRIC SHOCK - NEVER CONNECT OR DISCONNECT ANY COMPONENT WHILE POWER SUPPLY IS ENERGIZED.**

**▲ WARNING: DO NOT USE ABRASIVE MATERIALS, GLASS CLEANERS OR OTHER SOLVENTS. USE OF THESE SUBSTANCES MAY DAMAGE FIXTURE, WHICH MAY RESULT IN PERSONAL INJURY.**

**▲ WARNING: RISK OF PERSONAL INJURY** - This product may have sharp edges. Wear gloves to prevent cuts or abrasions when removing from carton, handling, installing and maintaining this product.

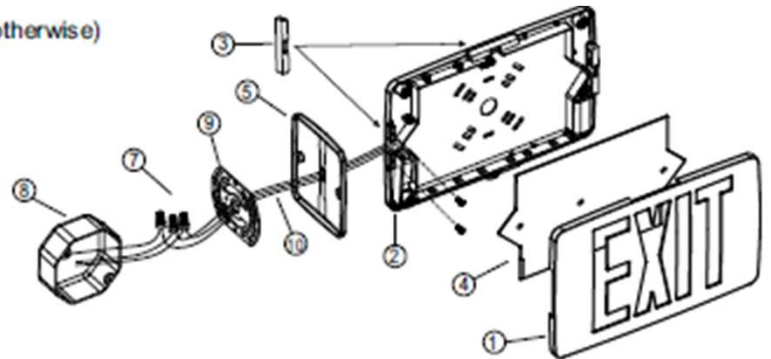
- Before wiring to power supply, turn off electricity at fuse or circuit breaker.
- Disconnect A.C. power before servicing.
- All servicing should be performed by qualified personnel.
- Consult your local building code for approved wiring and installation.
- May be used outdoors under cover (0° C - 50° C).
- Do not mount near gas or electric heater.
- Fixture must be grounded to avoid potential electric shock.
- Equipment should be mounted in locations and at heights where it will not readily be subjected to tampering by unauthorized personnel.
- The use of accessory equipment not recommended by the manufacturer may cause an unsafe condition.
- Do not use this equipment for other than intended use.
- Do not install a damaged fixture.

## SAVE THESE INSTRUCTIONS AND DELIVER TO OWNER AFTER INSTALLATION

# IS-7822990A 46 Line –Slender Die Cast Aluminum LED

## **PARTS DESCRIPTION** (All parts provided unless noted otherwise)

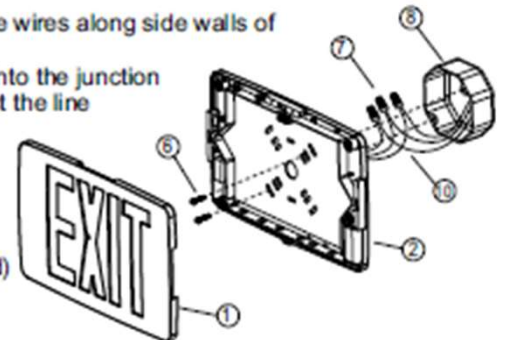
- ① Face Plate
- ② Back Plate
- ③ Mounting Hole Cover
- ④ Red or Green Lens
- ⑤ Canopy
- ⑥ Junction Box Screws (not shown)
- ⑦ Wire Nuts
- ⑧ Junction Box (not provided)
- ⑨ Mounting Bracket
- ⑩ Input Wires



**NOTE:** This fixture is for use only with 3-1/2" octagon, 4" octagon, 4" square or single-gang junction boxes, on an unswitched circuit. See Wiring Diagrams and "To Remove Directional Indicators" below before beginning fixture installation. **On fixtures with battery:** Connect battery only after continuous power can be supplied to fixture. Allow 24 hours before initial test or for full charge.

## **Back Mounting (single face units only)**

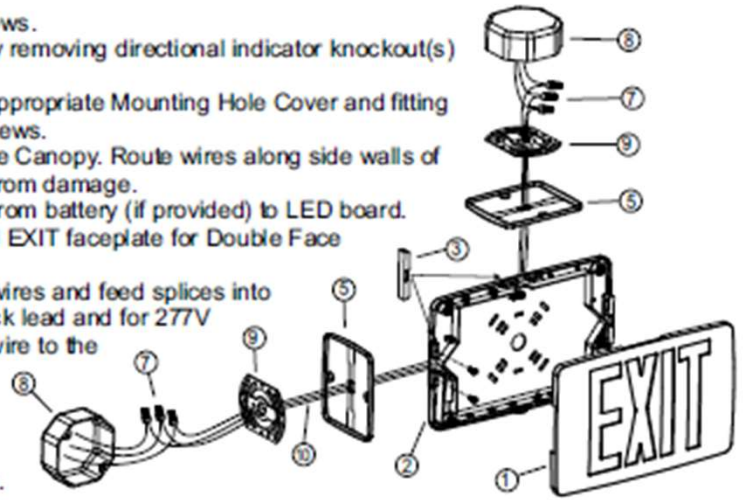
1. Turn off AC power.
2. Remove appropriate knockouts in backplate of EXIT sign enclosure. **KNOCKOUTS ARE NOT INTENDED FOR USE WITH CONDUIT FITTINGS.**
3. Feed power supply module input wires from EXIT sign through the open knockout. Route wires along side walls of enclosure to assure proper sign illumination and to protect wires from damage.
4. Connect building supply wires to the power supply module input wires and feed splices into the junction box. For 120V supply connect the line wire to the black lead and for 277V supply connect the line wire to the orange lead. Connect neutral wire to the white lead. The ground wire (green lead) must be connected in accordance with local codes. **CAUTION:** The unused black or orange wire must be capped with wire nut or other approved insulator. Failure to do so may cause an unsafe condition.
5. Attach EXIT sign backplate to junction box with supplied screws.
6. After AC power can be continuously supplied, push in connector from battery (if provided) to LED board.
7. Snap EXIT faceplate into place on EXIT sign backplate.
8. Turn on AC power.



# IS-7822990A 46 Line –Slender Die Cast Aluminum LED

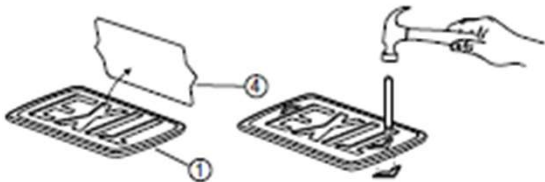
## Top or End Mounting (single or double face unit)

1. Turn off AC power.
2. Install the Mounting Bracket to the junction box with supplied screws.
3. Prepare EXIT faceplate (two faceplates for Double Face signs) by removing directional indicator knockout(s) as required.
4. Secure the Canopy to the EXIT sign enclosure by removing the appropriate Mounting Hole Cover and fitting Canopy onto enclosure. Secure Canopy to enclosure with two screws.
5. Feed power supply module input wires from EXIT sign through the Canopy. Route wires along side walls of enclosure to assure proper sign illumination and to protect wires from damage.
6. After AC power can be continuously supplied, push in connector from battery (if provided) to LED board.
7. Snap EXIT faceplate into place on EXIT sign backplate or second EXIT faceplate for Double Face sign. Assure that canopy is positioned securely.
8. Connect building supply wires to the power supply module input wires and feed splices into the junction box. For 120V supply connect the line wire to the black lead and for 277V supply connect the line wire to the orange lead. Connect neutral wire to the white lead. The ground wire (green lead) must be connected in accordance with local codes. **CAUTION:** The unused black or orange wire must be capped with wire nut or other approved insulator. Failure to do so may cause an unsafe condition.
9. Secure the Canopy to the Mounting Bracket with supplied screws.
10. Turn on AC power.



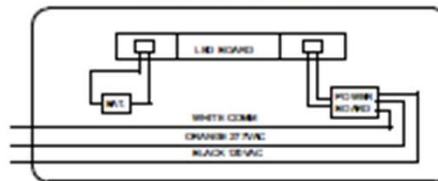
## To Remove Directional Indicators:

Use punch or similar tool to tap out the desired knockout along its inside edges.



## WIRING DIAGRAMS

### BATTERY BACKUP:



### AC ONLY:

