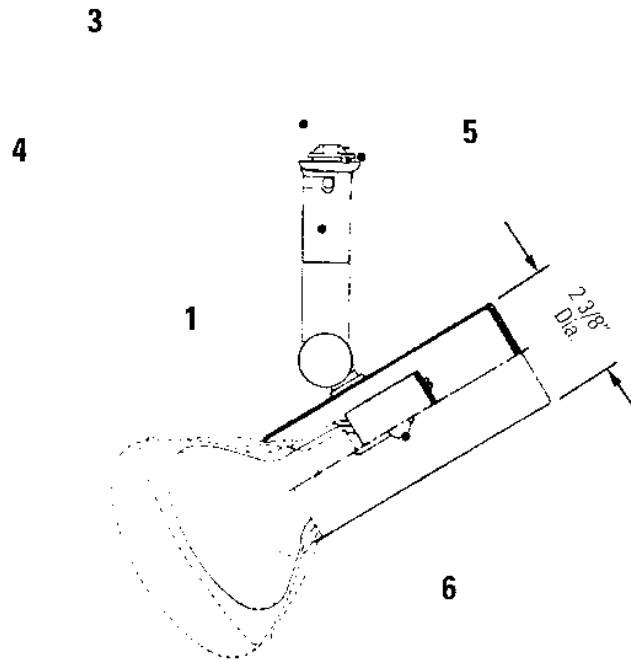
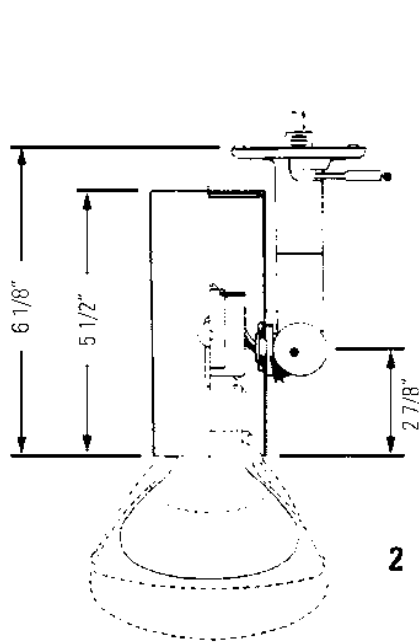


Project: \_\_\_\_\_  
 Location: \_\_\_\_\_  
 Cat.No: \_\_\_\_\_  
 Type: \_\_\_\_\_  
 Lamps: \_\_\_\_\_ Qty: \_\_\_\_\_  
 Notes: \_\_\_\_\_



#### Ordering Information

Catalog No.	Description of Lamps	Finish	Mountings
6320	Housing Only = 75W R20; 75W-100W R30; 250W PAR38;	Matte White	All Lytespan Track Systems
6322	150W PAR38 Cool Beam; 75W PAR16, 50W PAR20, 75W PAR30	Matte Black	

#### Features

- Lytespan Attachment Fitting:** die-cast zinc alloy.
- Pivot Mounting:** tensioned with built-in stop, provides 90° vertical adjustment.
- Movable Brass Contact:** extends for connection to 2nd circuit in Advent Lytespan Track.
- Lever:** energizes unit.
- Polarity Keyway**
- Thumbscrew:** for lampholder adjustment.

#### Finish

All painted finishes baked enamel.

#### Labels

UL, I.B.E.W.

#### Electrical

Porcelain socket, medium base, nickel plated screw shell.  
 No. 18 braided SF-1 leads.

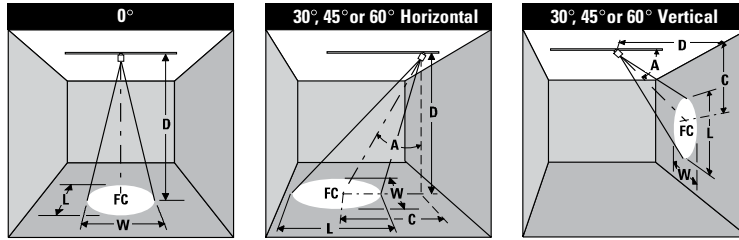
# 6320 Basic Track Heads

## Universal Lytespot

### Lighting Data

- L** Beam length
- W** Beam Width
- C** Distance to center beam
- D** Distance
- A** Aiming angle
- FC** Footcandles

L and W are the outer points where the candle power drops to 50% of the maximum. FC are the initial footcandles at the center of the beam.



### LAMP

	Beam Spread 50% Max. CP	Beam Center C.P. Candelas	Rated Life-Hrs	0° AIMING ANGLE					A=30° AIMING ANGLE					A=45° AIMING ANGLE					A=60° AIMING ANGLE				
				D	FC	L	W	D	C	FC	L	W	D	C	FC	L	W	D	C	FC	L	W	
75W PAR30 NSP (Halogen) 91°	14,000	2,500	8'	219	1.3'	1.3'	7'	4.0'	186	1.5'	1.3'	5'	5.0'	198	1.6'	1.1'	3'	5.2'	194	1.9'	0.9'		
			12'	97	1.9'	1.9'	10'	5.8'	91	2.1'	1.8'	7'	7.0'	101	2.2'	1.6'	4'	6.9'	109	2.6'	1.3'		
			16'	55	2.5'	2.5'	13'	7.5'	54	2.7'	2.4'	9'	9.0'	61	2.9'	2.0'	5'	8.7'	70	3.2'	1.6'		
			20'	35	3.1'	3.1'	16'	9.2'	36	3.4'	2.9'	11'	11.0'	41	3.5'	2.4'	6'	10.4'	49	3.8'	1.9'		
75W PAR30 NFL (Halogen) 30°	3,200	2,500	6'	89	3.2'	3.2'	5'	2.9'	83	3.7'	3.1'	3'	3.0'	126	3.5'	2.3'	2'	3.5'	100	5.5'	2.1'		
			8'	50	4.3'	4.3'	7'	4.0'	42	5.1'	4.3'	5'	5.0'	45	5.8'	3.8'	3'	5.2'	44	8.2'	3.2'		
			10'	32	5.4'	5.4'	9'	5.2'	26	6.6'	5.6'	7'	7.0'	23	8.1'	5.3'	4'	6.9'	25	10.9'	4.3'		
			12'	22	6.4'	6.4'	11'	6.4'	17	8.1'	6.8'	9'	9.0'	114	10.4'	6.8'	5'	8.7'	16	13.7'	5.4'		
90W PAR38 NSP (Halogen) 91°	19,500	2,500	10'	195	1.6'	1.6'	8'	4.6'	198	1.7'	1.5'	6'	6.0'	192	1.9'	1.3'	4'	6.9'	152	2.6'	1.3'		
			15'	87	2.4'	2.4'	12'	6.9'	88	2.5'	2.2'	9'	9.0'	85	2.9'	2.0'	6'	10.4'	68	3.8'	1.9'		
			20'	49	3.1'	3.1'	16'	9.2'	49	3.4'	2.9'	12'	12.0'	48	3.8'	2.7'	8'	13.9'	38	5.1'	2.5'		
			25'	31	3.9'	3.9'	20'	11.5'	32	4.2'	3.8'	15'	15.0'	31	4.8'	3.3'	10'	17.3'	24	8.4'	3.1'		
90W PAR38 SP (Halogen) 12°	14,500	2,500	8'	227	1.7'	1.7'	7'	4.0'	192	2.0'	1.7'	5'	5.0'	205	2.1'	1.5'	3'	5.2'	201	2.6'	1.3'		
			12'	101	2.5'	2.5'	10'	5.8'	94	2.8'	2.4'	7'	7.0'	105	3.0'	2.1'	4'	6.9'	113	3.5'	1.7'		
			16'	57	3.4'	3.4'	13'	7.5'	56	3.7'	3.2'	9'	9.0'	63	3.8'	2.7'	5'	8.7'	73	4.3'	2.1'		
			20'	36	4.2'	4.2'	16'	9.2'	37	4.5'	3.9'	11'	11.0'	42	4.7'	3.3'	6'	10.4'	50	5.2'	2.5'		
90W PAR38 FL (Halogen) 28°	4,500	2,500	6'	125	3.0'	3.0'	5'	2.9'	117	3.4'	2.9'	3'	3.0'	177	3.2'	2.1'	2'	3.5'	141	4.9'	2.0'		
			8'	70	4.0'	4.0'	7'	4.0'	60	4.8'	4.0'	5'	5.0'	64	5.3'	3.5'	3'	5.2'	63	7.4'	3.0'		
			10'	45	5.0'	5.0'	9'	5.2'	36	6.1'	5.2'	7'	7.0'	32	7.4'	4.9'	4'	6.9'	35	9.8'	4.0'		
			12'	31	6.0'	6.0'	11'	6.4'	24	7.5'	6.3'	9'	9.0'	20	9.6'	8.3'	5'	8.7'	23	12.3'	5.0'		
100W PAR38 SP (Halogen) 10°	29,000	3,000	10'	290	1.7'	1.7'	8'	4.6'	294	1.9'	1.6'	6'	6.0'	285	2.1'	1.5'	4'	6.9'	227	2.9'	1.4'		
			15'	120	2.6'	2.6'	12'	6.9'	131	2.8'	2.4'	9'	9.0'	127	3.2'	2.2'	6'	10.4'	101	4.3'	2.1'		
			20'	73	3.5'	3.5'	16'	9.2'	74	3.7'	3.2'	12'	12.0'	71	4.2'	3.0'	8'	13.9'	57	5.7'	2.8'		
			25'	46	4.4'	4.4'	20'	11.5'	47	4.7'	4.0'	15'	15.0'	46	5.3'	3.7'	10'	17.3'	36	7.2'	3.5'		
100W PAR38 NFL (Halogen) 27°	7,500	3,000	7'	153	3.4'	3.4'	6'	3.5'	135	3.9'	3.3'	4'	4.0'	168	4.1'	2.7'	2'	3.5'	234	4.8'	1.9'		
			10'	75	4.8'	4.8'	9'	5.2'	60	5.9'	5.0'	6'	6.0'	74	6.1'	4.1'	3'	5.2'	104	7.4'	2.9'		
			13'	44	6.2'	6.2'	12'	6.9'	34	7.8'	6.7'	8'	8.0'	41	8.2'	5.4'	4'	6.9'	59	9.3'	3.8'		
			16'	29	7.7'	7.7'	15'	8.7'	22	9.8'	8.3'	10'	10.0'	27	10.2'	6.8'	5'	8.7'	38	11.6'	4.8'		
100W PAR38 FL (HIR) 40°	3,400	3,000	6'	94	4.4'	4.4'	5'	2.9'	88	5.1'	4.2'	3'	3.0'	134	5.0'	3.1'	2'	3.5'	106	9.7'	2.9'		
			8'	53	5.8'	5.8'	7'	4.0'	45	7.1'	5.9'	5'	5.0'	48	8.4'	5.1'	3'	5.2'	47	14.5'	4.4'		
			10'	34	7.3'	7.3'	9'	5.2'	27	9.1'	7.6'	7'	7.0'	25	11.7'	7.2'	4'	6.9'	27	19.3'	5.8'		
			12'	24	8.7'	8.7'	11'	6.4'	18	11.2'	9.2'	9'	9.0'	15	15.1'	8.3'	5'	8.7'	17	24.2'	7.3'		
120W PAR38 NSP (Halogen) 10°	25,000	3,000	10'	250	1.7'	1.7'	8'	4.6'	254	1.9'	1.6'	6'	6.0'	246	2.1'	1.5'	4'	6.9'	195	2.9'	1.4'		
			15'	111	2.6'	2.6'	12'	6.9'	113	2.8'	2.4'	9'	9.0'	109	3.2'	2.2'	6'	10.4'	87	4.3'	2.1'		
			20'	63	3.5'	3.5'	16'	9.2'	63	3.7'	3.2'	12'	12.0'	61	4.2'	3.0'	8'	13.9'	49	5.7'	2.8'		
			25'	40	4.4'	4.4'	20'	11.5'	41	4.7'	4.0'	15'	15.0'	39	5.3'	3.7'	10'	17.3'	31	7.2'	3.5'		
120W PAR38 FL (Halogen) 30°	5,000	3,000	6'	139	3.2'	3.2'	5'	2.9'	130	3.7'	3.1'	3'	3.0'	196	3.5'	2.3'	2'	3.5'	156	5.5'	2.1'		
			8'	78	4.3'	4.3'	7'	4.0'	66	5.1'	4.3'	5'	5.0'	71	5.8'	3.8'	3'	5.2'	69	8.2'	3.2'		
			10'	50	5.4'	5.4'	9'	5.2'	40	6.8'	5.6'	7'	7.0'	36	8.1'	5.3'	4'	6.9'	39	10.9'	4.3'		
			12'	35	6.4'	6.4'	11'	6.4'	27	8.1'	6.8'	9'	9.0'	22	10.4'	6.8'	5'	8.7'	25	13.7'	5.4'		
250W PAR38 SP (Halogen) 11°	40,000	4,200	15'	178	2.9'	2.9'	10'	5.8'	260	2.6'	2.2'	8'	8.0'	221	3.1'	2.2'	5'	8.7'	200	4.0'	1.9'		
			20'	100	3.9'	3.9'	15'	8.7'	115	3.9'	3.3'	12'	12.0'	98	4.7'	3.3'	8'	13.9'	78	6.3'	3.1'		
			25'	64	4.8'	4.8'	20'	11.5'	65	5.2'	4.4'	18'	18.0'	55	6.2'	4.4'	11'	19.1'	41	8.7'	4.2'		
			30'	44	5.8'	5.8'	25'	14.4'	42	6.4'	5.6'	20'	20.0'	35	7.8'	5.4'	14'	24.2'	26	11.1'	5.4'		
250W PAR38 FL (Halogen) 32°	8,000	4,200	7'	163	4.0'	4.0'	6'	3.5'	144	4.7'	4.0'	4'	4.0'	177	5.0'	3.2'	2'	3.5'	250	6.1'	2.3'		
			10'	80	5.7'	5.7'	9'	5.2'	64	7.1'	6.0'	6'	6.0'	79	7.5'	4.9'	3'	5.2'	111	9.1'	3.4'		
			13'	47	7.5'	7.5'	12'	6.9'	36	9.4'	7.9'	8'	8.0'	44	10.0'	6.5'	4'	6.9'	63	12.2'	4.6'		
			16'	31	9.2'	9.2'	15'	8.7'	23	11.8'	9.9'	10'	10.0'	28	12.5'	9.1'	5'	8.7'	40	15.2'	5.7'		

