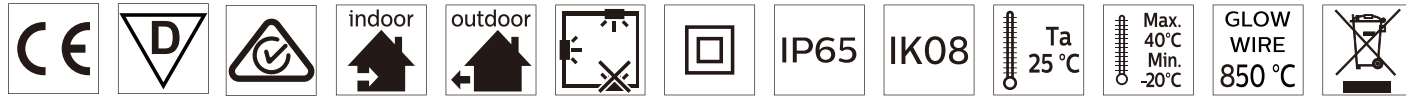
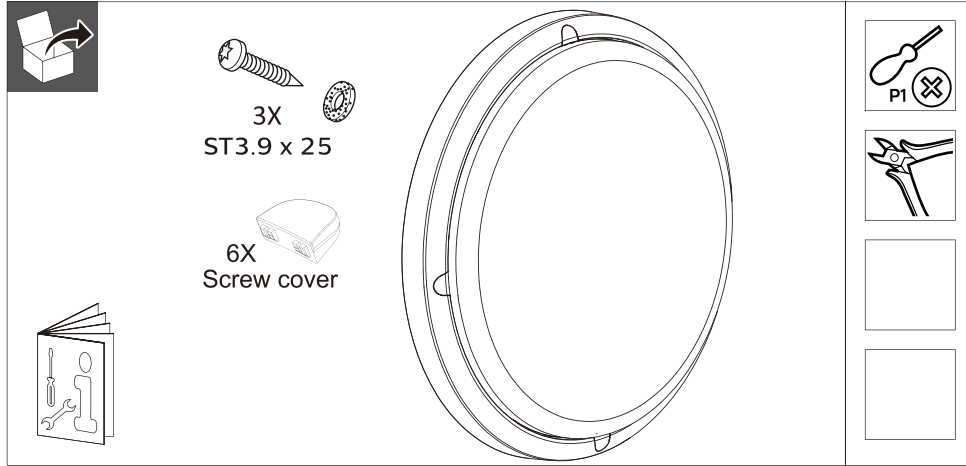


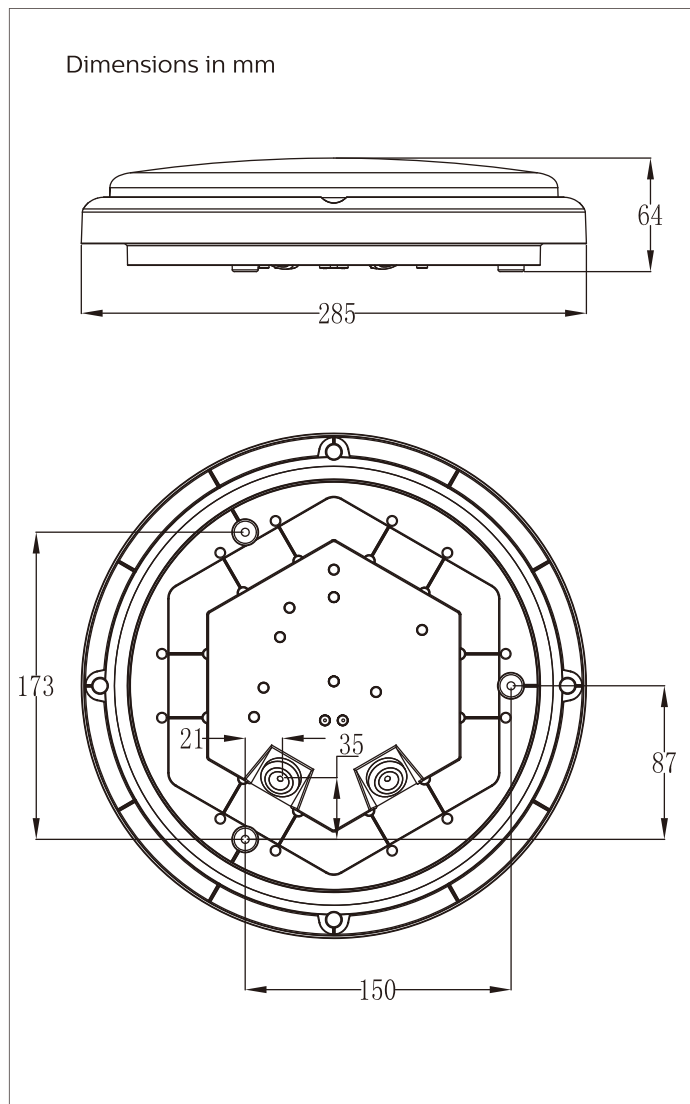
# PHILIPS

## Ledinaire Wall - mounted

### WL070V All-in



	CCT(K)	Lumen (lm)	Light source of energy efficiency class	P(W)	Driver	220V 240V	50Hz 60Hz	kg
<b>WL070 LED11_17S/ 830_835_840</b>	3000	1050-1650	D	11/17	PSU	•	•	0.75
	3500/4000	1100-1700						



**ATTENTION**  
OBSERVE PRECAUTIONS  
FOR HANDLING  
ELECTROSTATIC  
SENSITIVE  
DEVICES

- The luminaire shall be installed by a qualified electrician and wired in accordance with the latest IEE electrical regulations or the national requirements.
- This luminaire is not suitable for use as emergency lighting.
- The light source contained in this luminaire shall only be replaced by the manufacturer or his service agent or a similar qualified person.
- For use in environments where an accumulation of conductive dust on the luminaire may be expected.
- It could be only wall mounted when outdoor used
- For outdoor operation at a building; only when all its cables run indoor with a maximum distance of 10 meter.

**Inrush current**

	LED11S	LED17S
Electrical characteristics		
I <sub>max</sub> (A)	3.2	5.8
T <sub>ref</sub> (μs)	4.4	4.8
MCB	Luminaires Max.	
B-10 A	22	22
B-13 A	28	28
B-16 A	35	35
C-10 A	36	36
C-13 A	46	46
C-16 A	57	57

### WL070 LED11\_17S/830\_835\_840

Power	CCT
11W/ 1100lm	Low
17W/ 1700lm (default)	High
4000K (default)	CCT
3500K	
3000K	

Min. H05RN-F 2x1.00 mm<sup>2</sup>  
Max. H05RN-F 2x1.50 mm<sup>2</sup>  
Ø6-Ø10 mm

Max. 10 luminaires.

3X ST3.9 x 25

0.5Nm

Screw Cap

The screw cap is in the accessory bag

ST3.9X12

0.5Nm