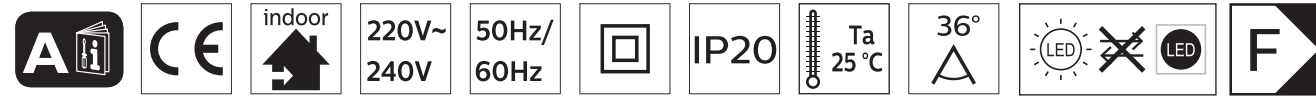
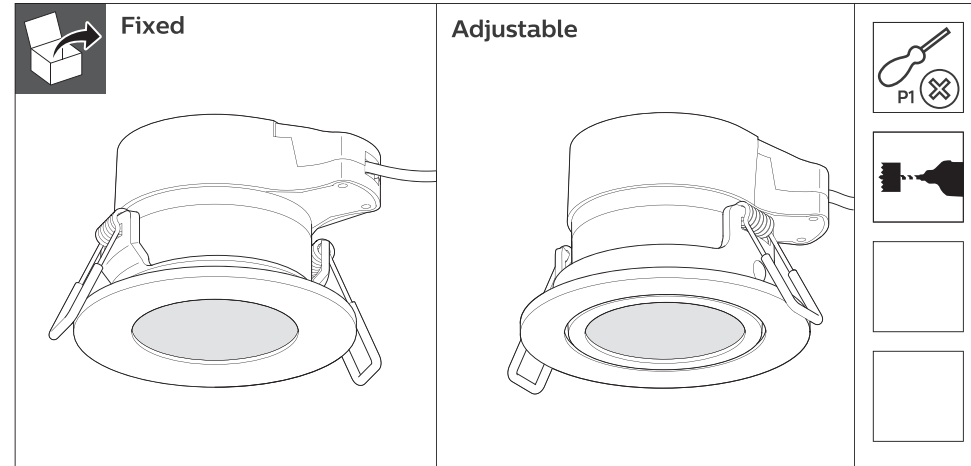


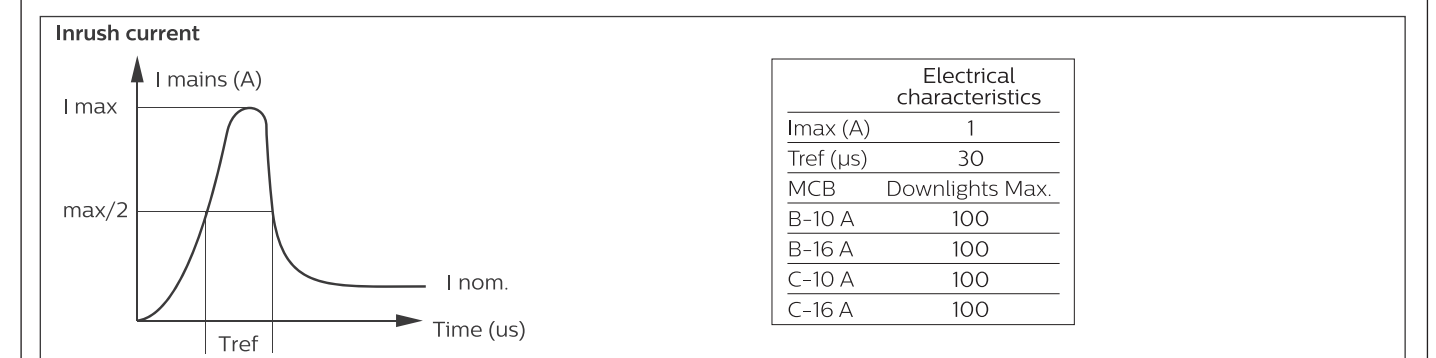
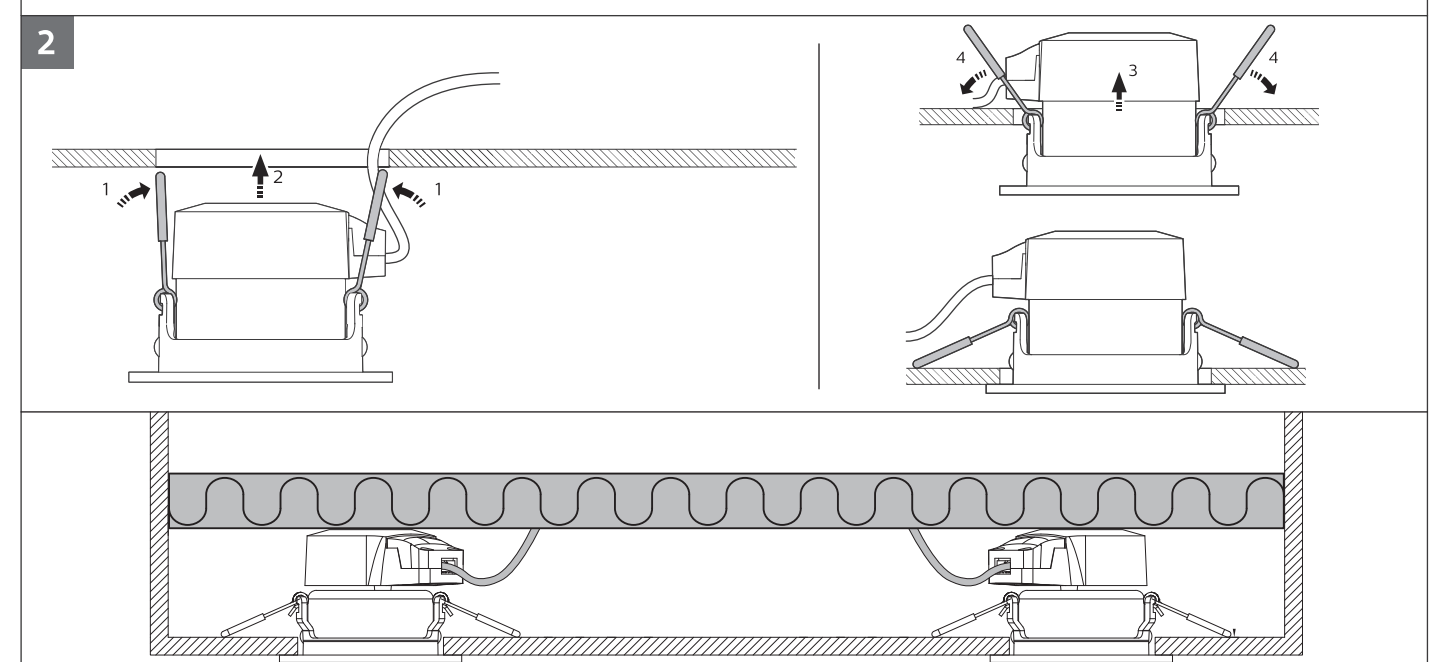
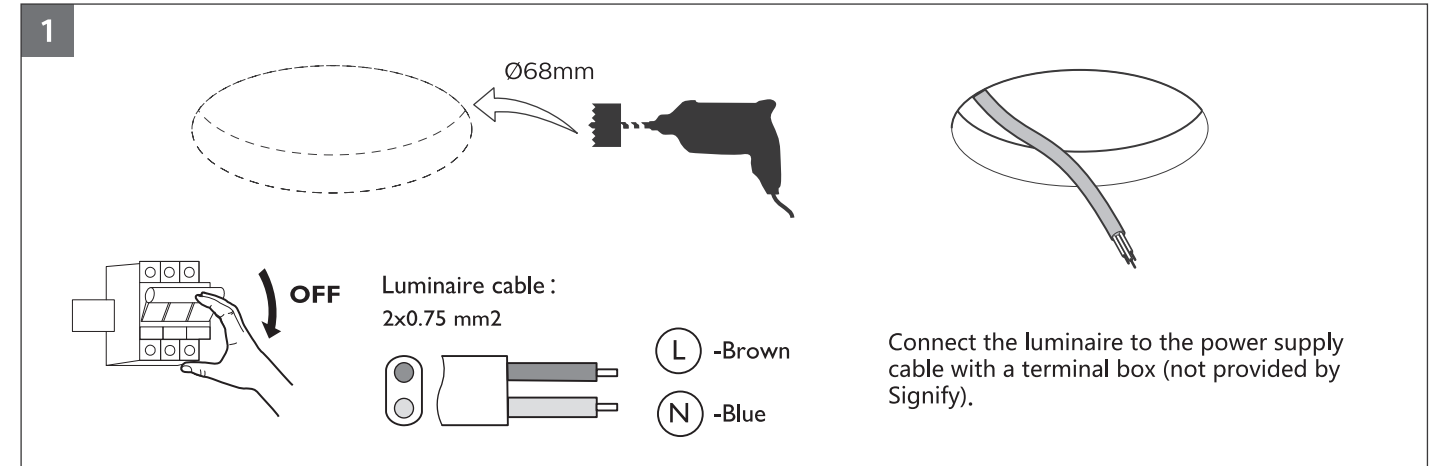
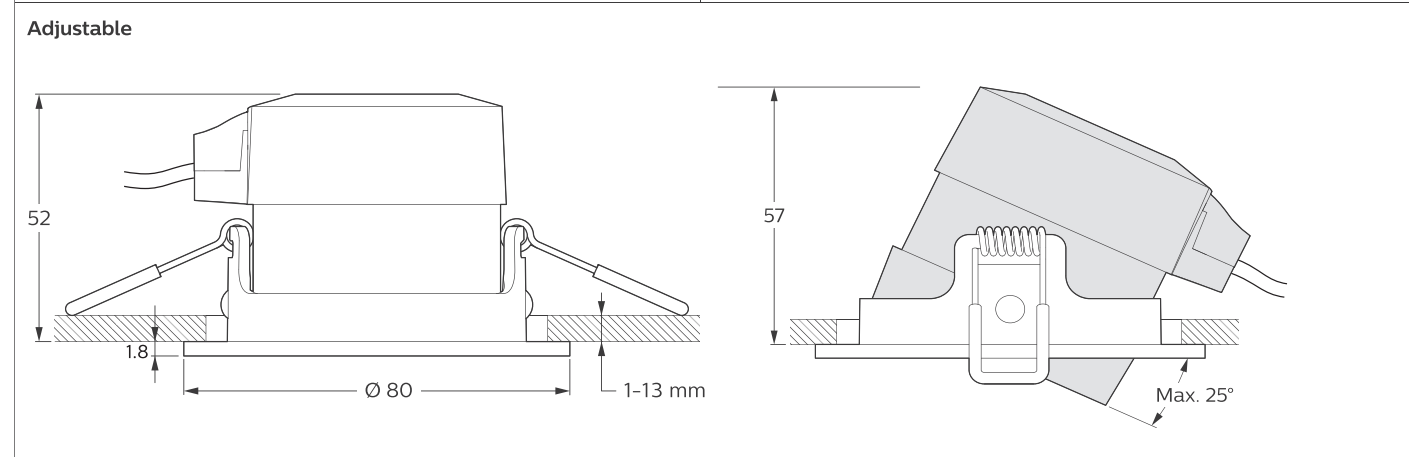
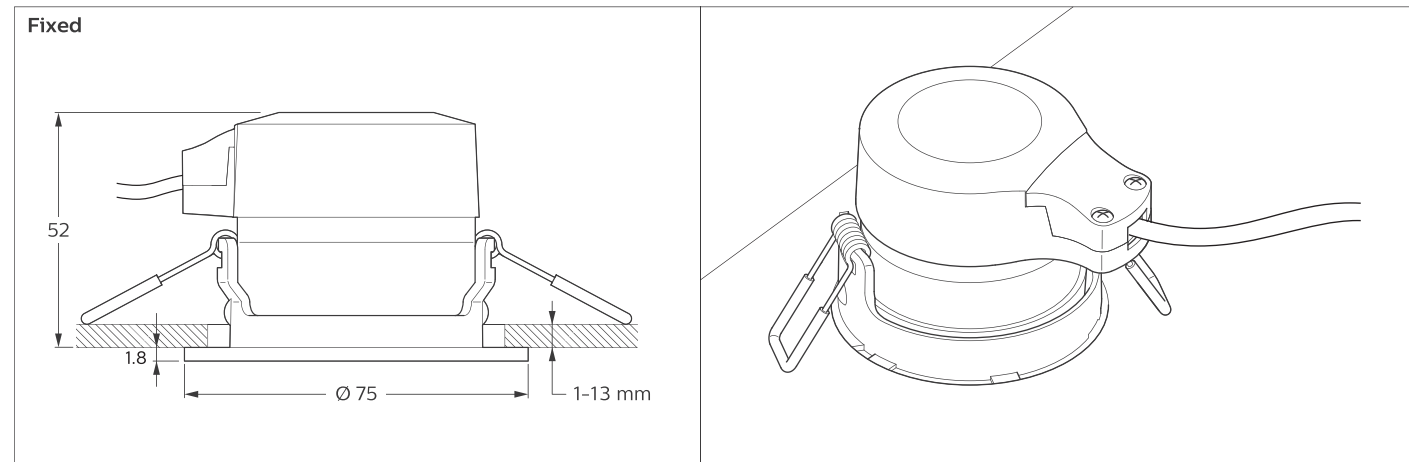
# PHILIPS

## ClearAccent

RS060B - RS061B



Model Name	Product Description	Lum. Power	Total Lumen	Beam Angle	CCT	CRI	Ø mm	Vol./Freq.	Dimmable	kg
9290026696	RS060B G2 LDNR LED5-36/827 PSR II WH	6W	500	36°	2700K	80	68mm	220-240V ~, 50/60Hz	Yes	0.1
9290026697	RS060B G2 LDNR LED5-36/830 PSR II WH		500		3000K					0.1
9290026698	RS060B G2 LDNR LED5-36/840 PSR II WH		550		4000K					0.1
9290026699	RS061B G2 LDNR LED5-36/827 PSR II WH		500		2700K					0.11
9290026700	RS061B G2 LDNR LED5-36/830 PSR II WH		500		3000K					0.11
9290026701	RS061B G2 LDNR LED5-36/840 PSR II WH		550		4000K					0.11



**EN** Please read this manual carefully before using the product.

- For indoor use only.
- Do not switch on before complete installation.
- The luminaire shall be installed by a qualified electrician and wired in accordance with the latest IEE electrical regulations or the national requirements.
- The external flexible cable or cord of this luminaire cannot be replaced; if the cord is damaged, the luminaire shall be destroyed.
- The luminaire is compliant with IEC 60598.
- Luminaire must not be used or stored in corrosive environment where hazardous materials such as Sulphur, Chlorine, phthalates, etc. are present.
- Non-replaceable light source: The light source of this luminaire is not replaceable; when the light source reaches its end of life the whole luminaire shall be replaced.
- This product contains a light source of energy efficiency class F.