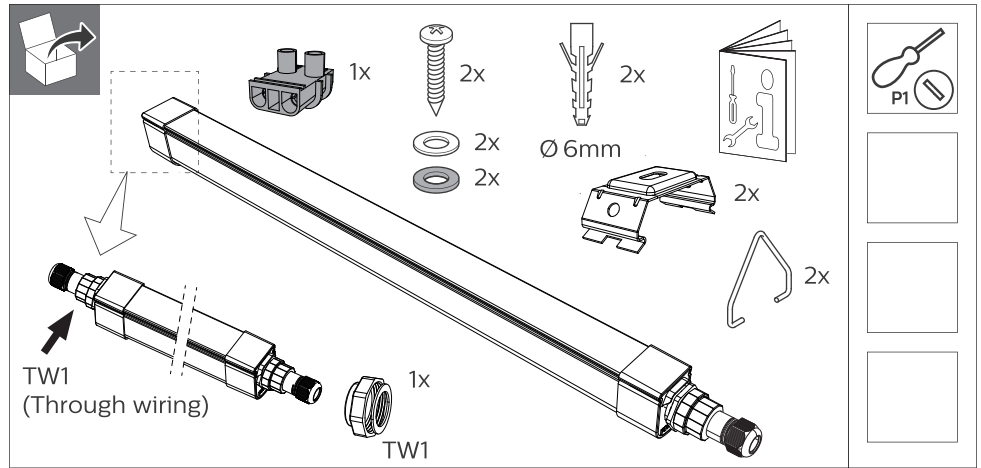


PHILIPS

Ledinaire Waterproof

WT055C



50Hz
60Hz

220V
240V

LIFE
L65
50K hrs

IP65

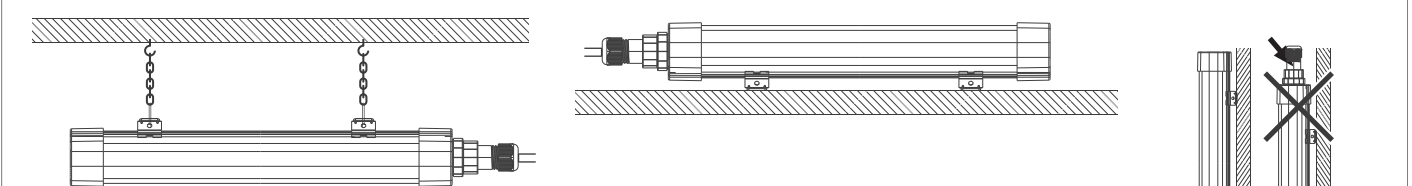
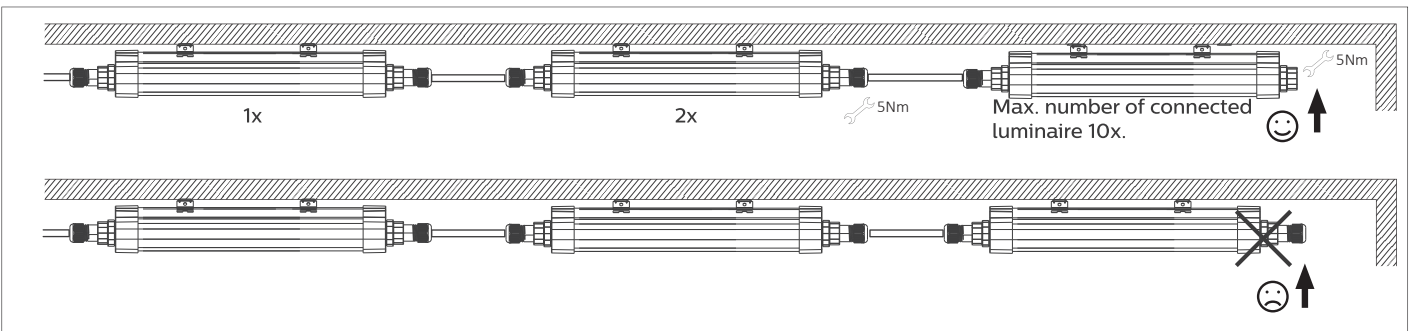
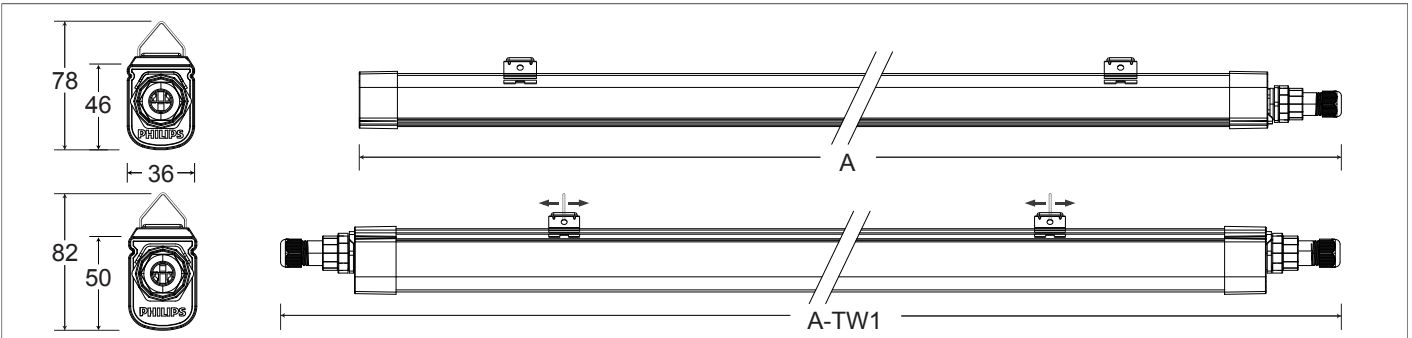
IK08

Ta
40 °C
-20 °C

GLOW
WIRE
850 °C

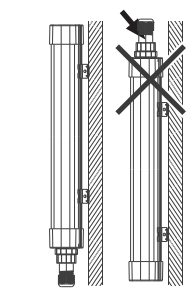


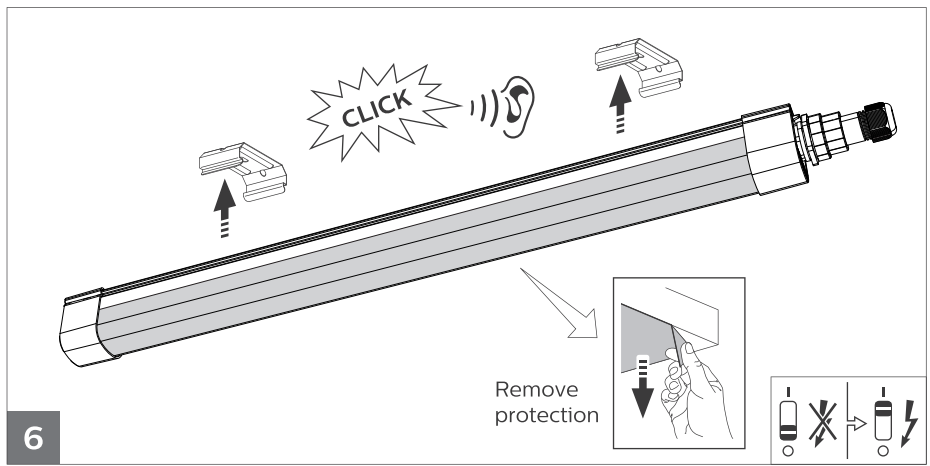
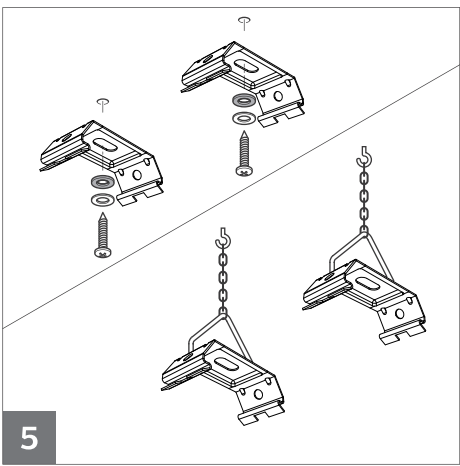
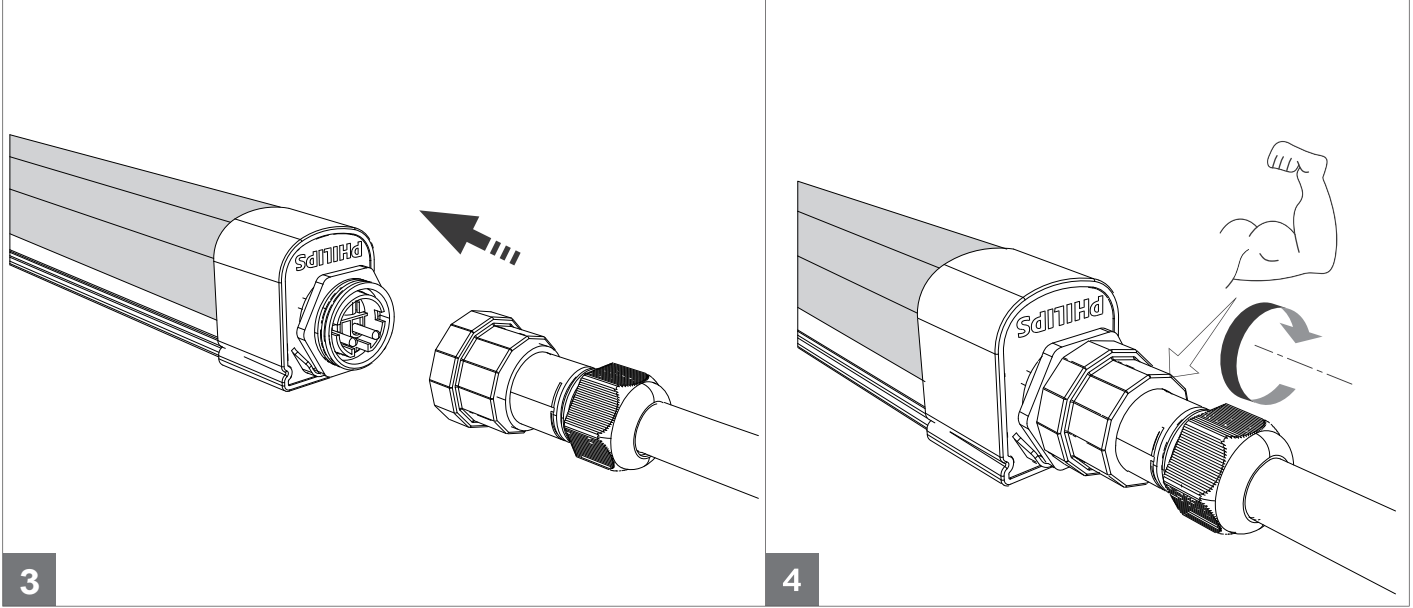
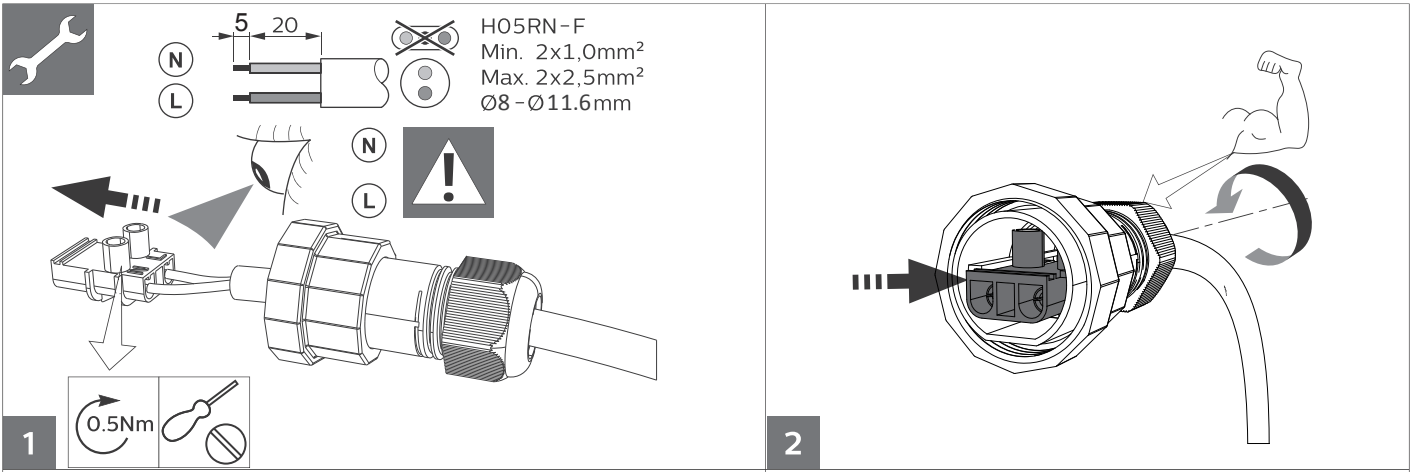
		System lumen (Lm)	CCT	P(W)	A	A-TW1	
WT055C LED18S/840 PSU L600	-	-	-	-	636	-	0.19
WT055C LED18S/840 PSU TW1 L600	•	1800	-	16.5	-	705	0.29
WT055C LED36S/840 PSU L1200	-	3600	4000k	33	1196	-	0.38
WT055C LED36S/840 PSU TW1 L1200	•	-	-	-	-	1265	0.50
WT055C LED56S/840 PSU L1500	-	5600	-	51	1476	-	0.56
WT055C LED56S/840 PSU TW1 L1500	•	-	-	-	-	1545	0.60



- The luminaire shall be installed by a qualified electrician and wired in accordance with the latest IEE electrical regulations or the national requirements.
- LED board & led driver are not serviceable and not replaceable.
- The light source of this luminaire is not replaceable; when the light source reaches its end of life the whole luminaire shall be replaced

ATTENTION
OBSERVE PRECAUTIONS
FOR HANDLING
ELECTROSTATIC
SENSITIVE
DEVICES





Inrush current

I_{max}
 $\frac{max}{2}$
 $I_{nom.}$
 T_{ref}
 $I_{mains} (A)$
 $Time (\mu s)$

	LED18S	LED36S	LED56S
Electrical characteristics			
$I_{nom} (mA)$	75	150	235
$I_{max} (A)$	37	37	37
$T_{ref} (\mu s)$	1	1	1
MCB Luminaire Max.			
B-10 A	10	10	10
B-16 A	10	10	10
C-10 A	10	10	10
C-16 A	10	10	10

7