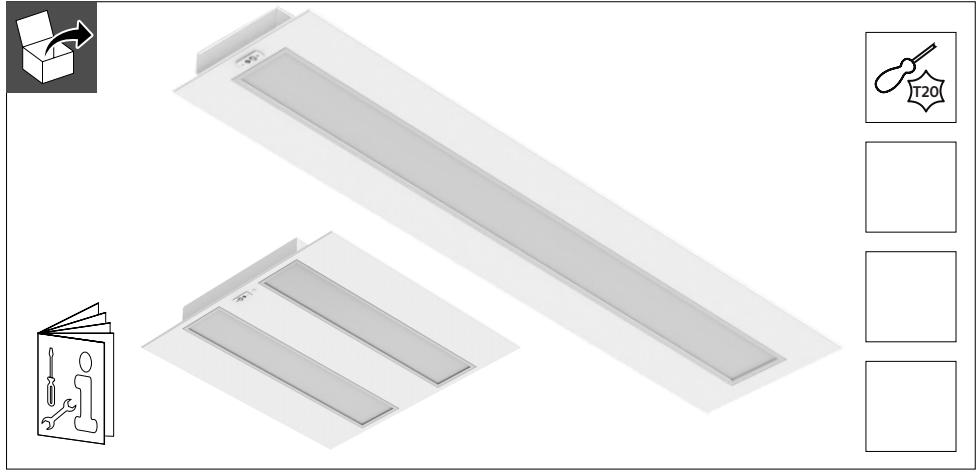


# PHILIPS

FlexBlend recessed

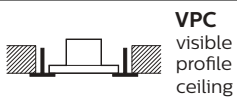
RC340B VPC/CPC/FLC



	GLOW WIRE	BASIC	ELx	IA3	SWZ	ACL
MLO	650 °C	IP20	IP20	IP20	IP20	IP20
PCS / OPAL	850 °C	IP54	IP20	IP20	IP20	IP20



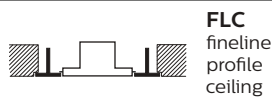
TP(a)  
Flammability rated  
Opal diffuser



**VPC**  
visible  
profile  
ceiling

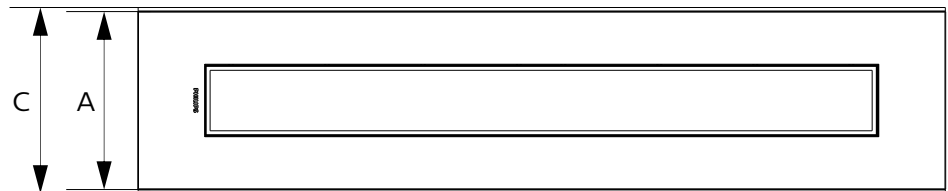


**CPC**  
concealed  
profile  
ceiling

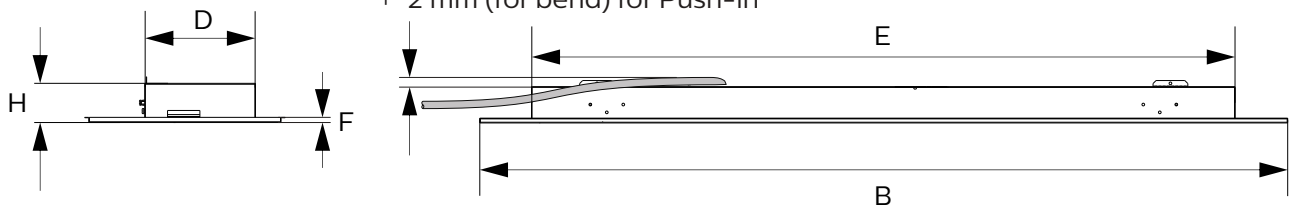


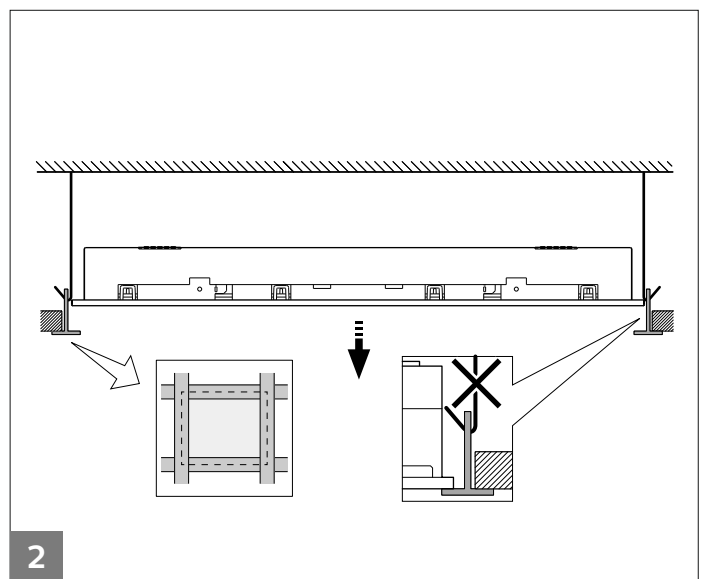
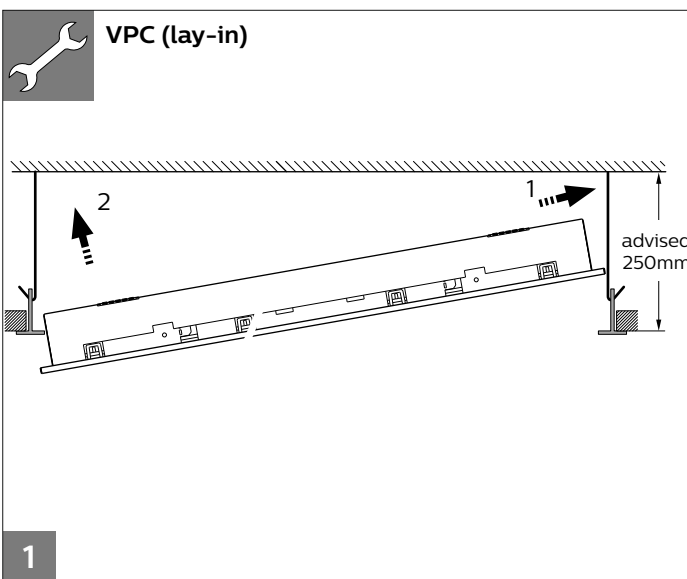
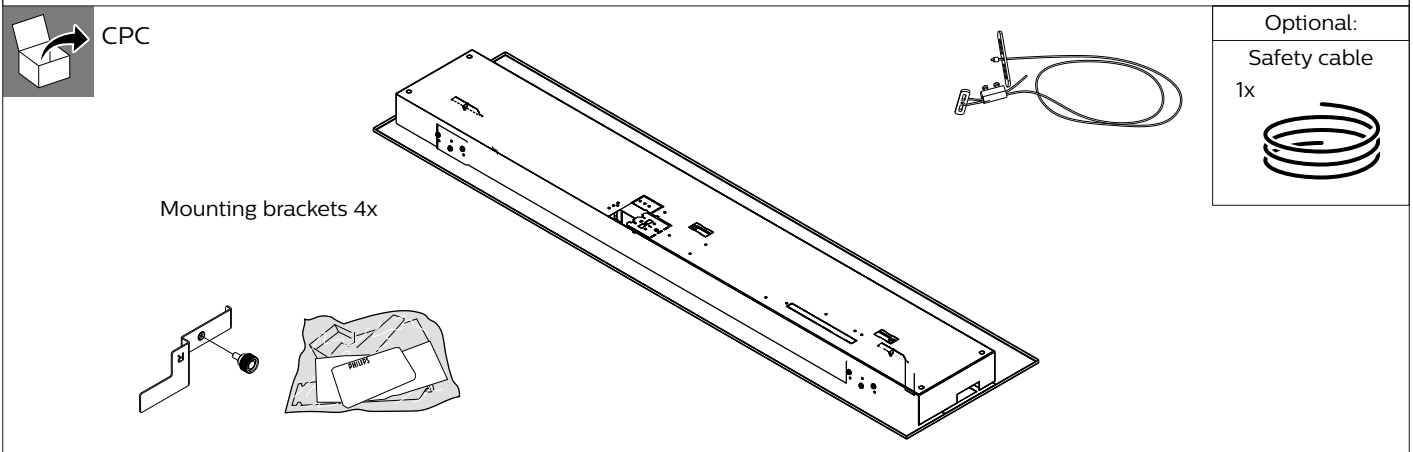
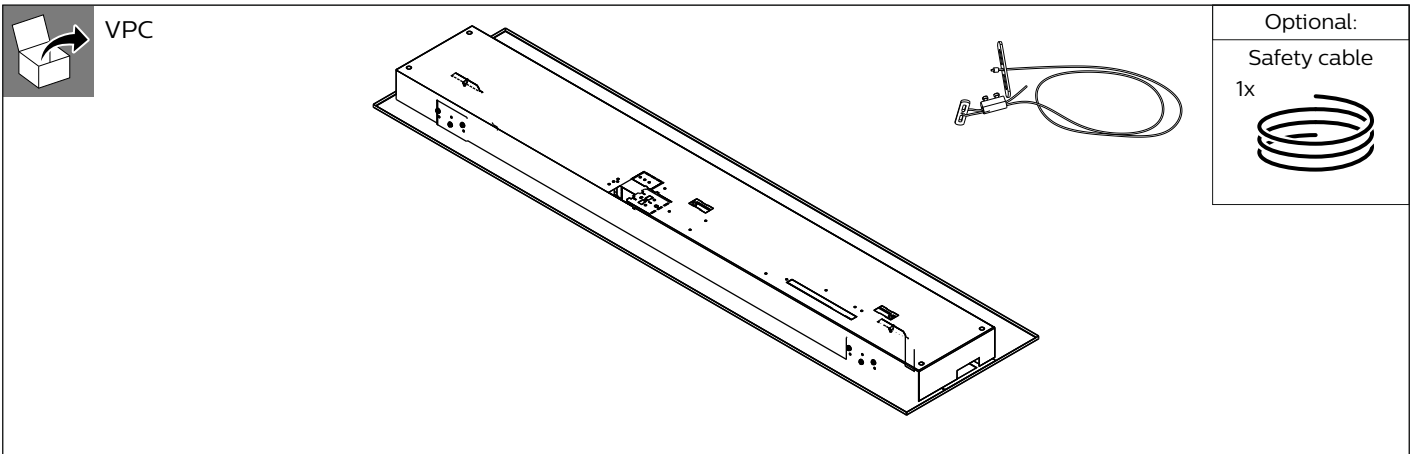
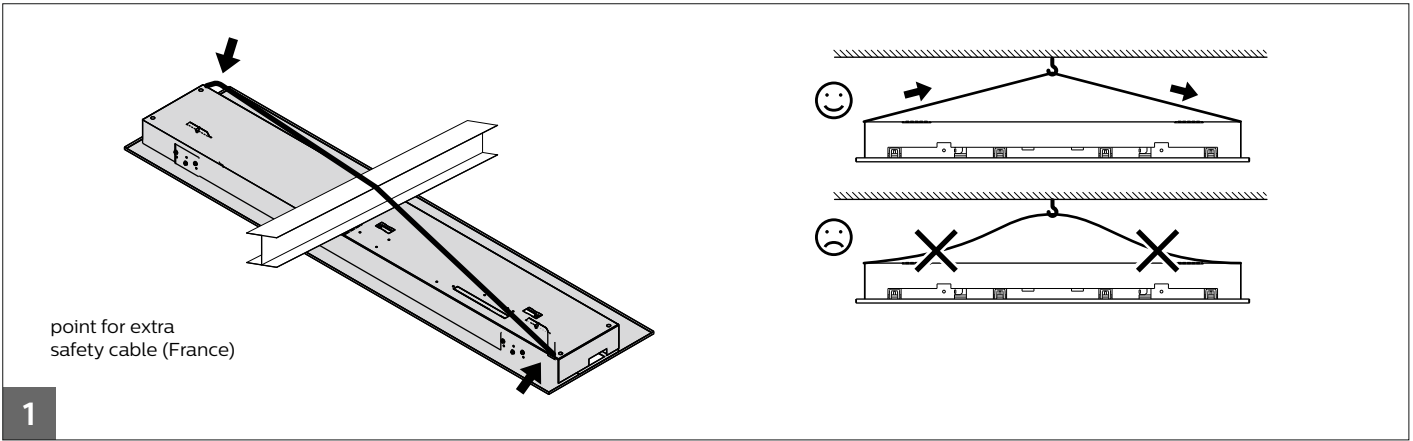
**FLC**  
fineline  
profile  
ceiling

		A(mm)	B(mm)	C(mm)	D(mm)	E(mm)	F(mm)	H(mm)	kg
VPC / CPC	RC340B W60L60	597	597		361	571	6	60	4.32
	RC340B W30L120	297	1197		171	1173	6	60	4.32
	RC340B W15L120	147	1197		121	1173	6	86	3.16
	RC342B W62L62	622	622		361	571	6	60	4.46
	RC342B W31L125	312.5	1247		171	1173	6	60	4.47
	RC342B W15L125	147	1247		121	1173	6	86	3.25
	RC343B W67L67	672	672		361	571	6	60	4.33
	RC343B W30L135	297	1347		171	1173	6	60	4.42
fineline	RC340B W60L60	597	597	610	361	571	7	60	3.87
	RC343B W67L670	672	672	685	361	571	7	60	4.33
	RC343B W30L135	297	1347	310	171	1173	7	60	4.42



+10 mm for Wieland cable, or thickness of used cable  
+ 2 mm (for bend) for Push-in

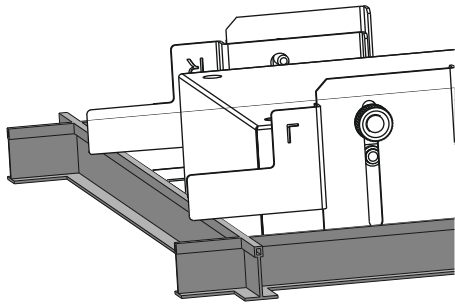






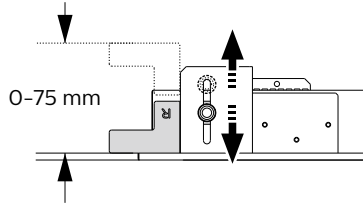
### CPC (Concealed profile ceiling)

Brackets are pre-mounted when ordered with luminaire

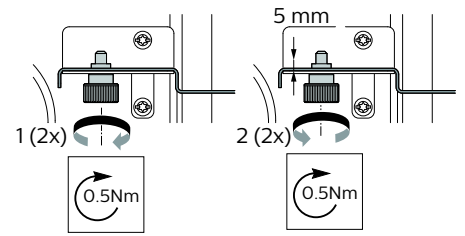


Option:  
Safety cable

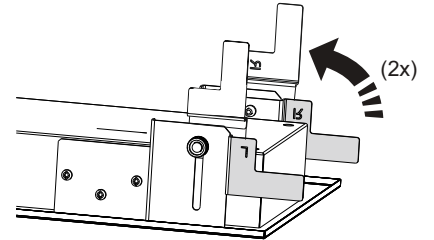
1



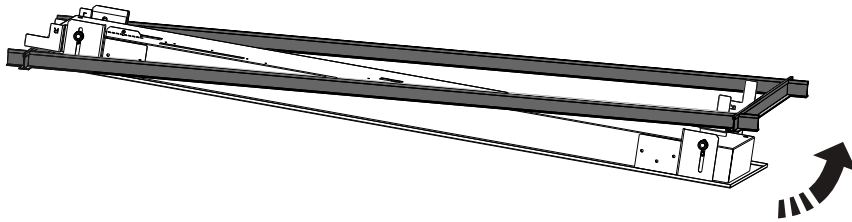
2



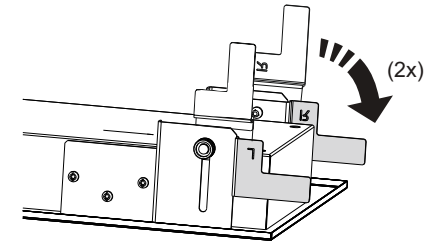
3



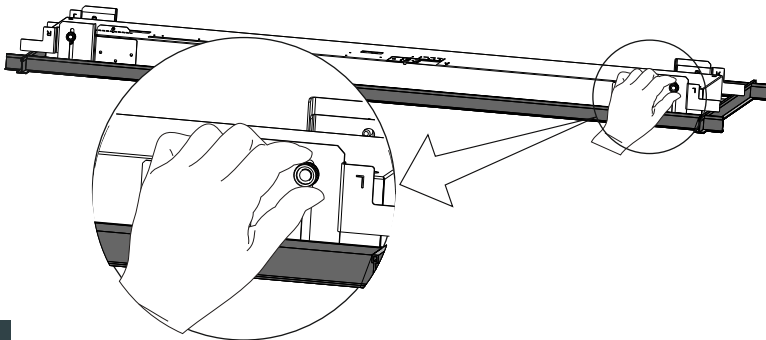
4



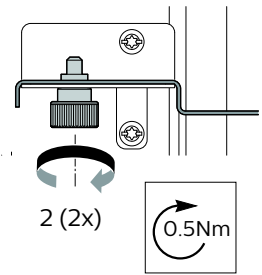
5



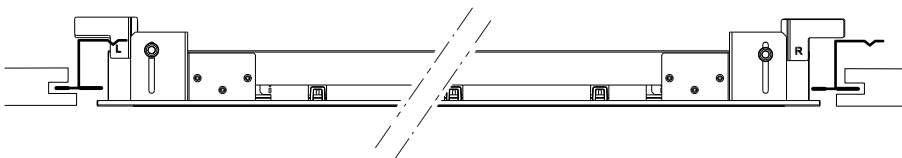
6



7



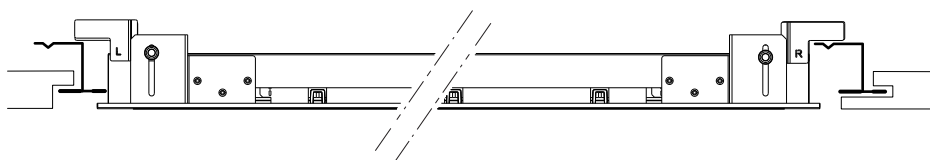
### sym-concealed



Rect. ✓ ☺

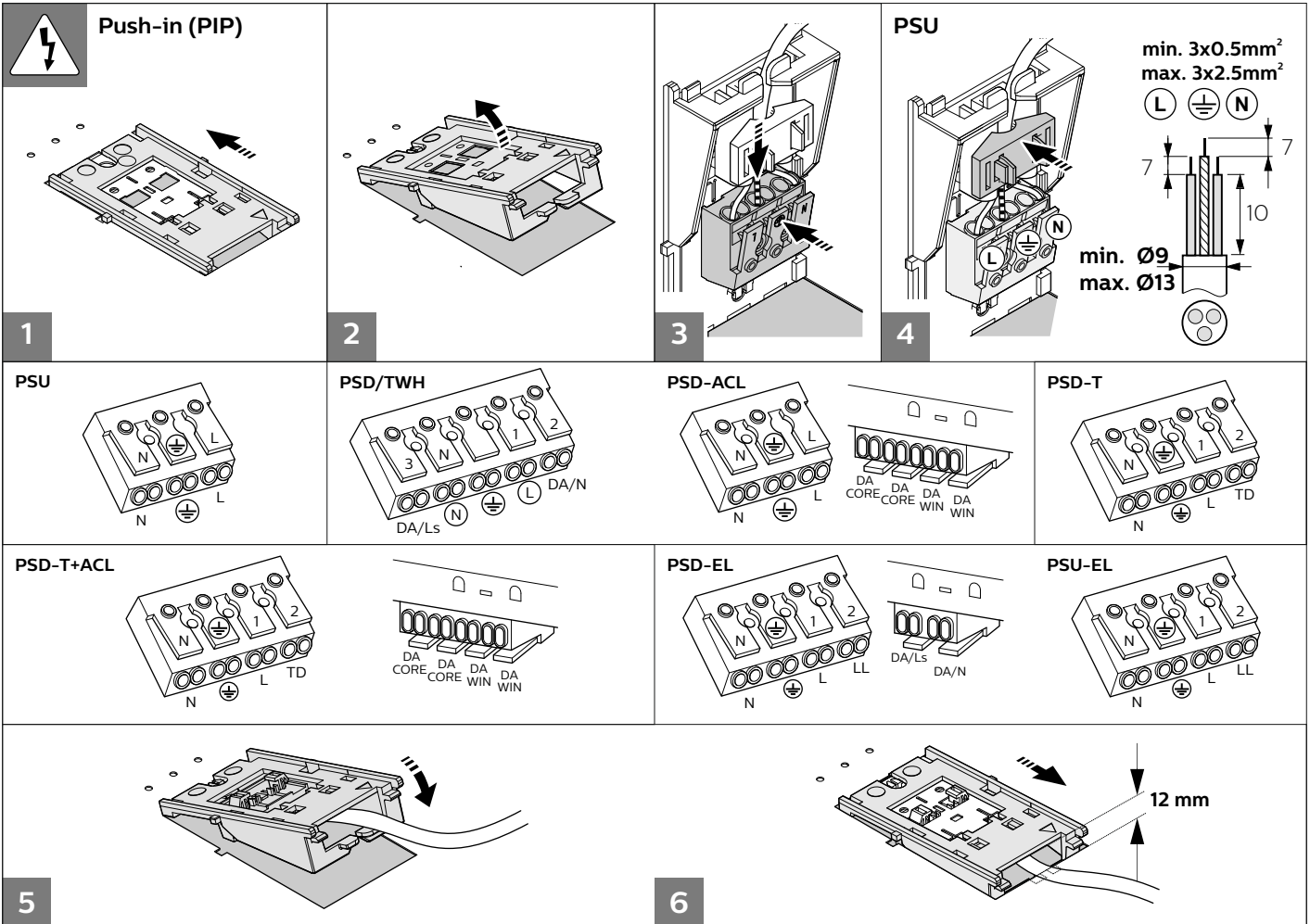
Square ✓ ☺

### A-sym-concealed

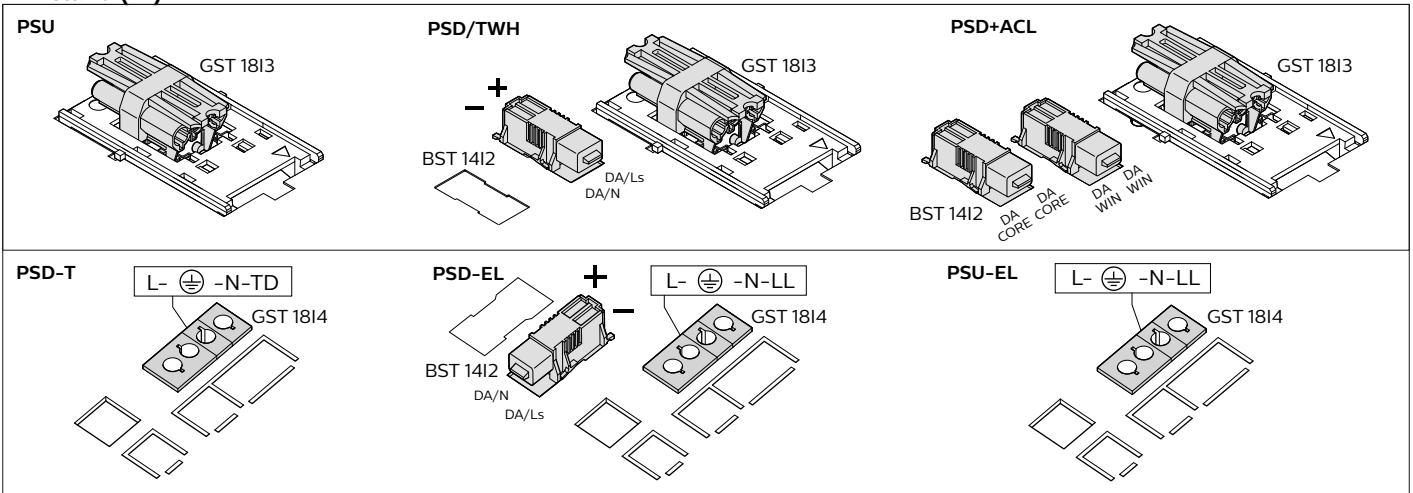


Rect. ✗ ☹

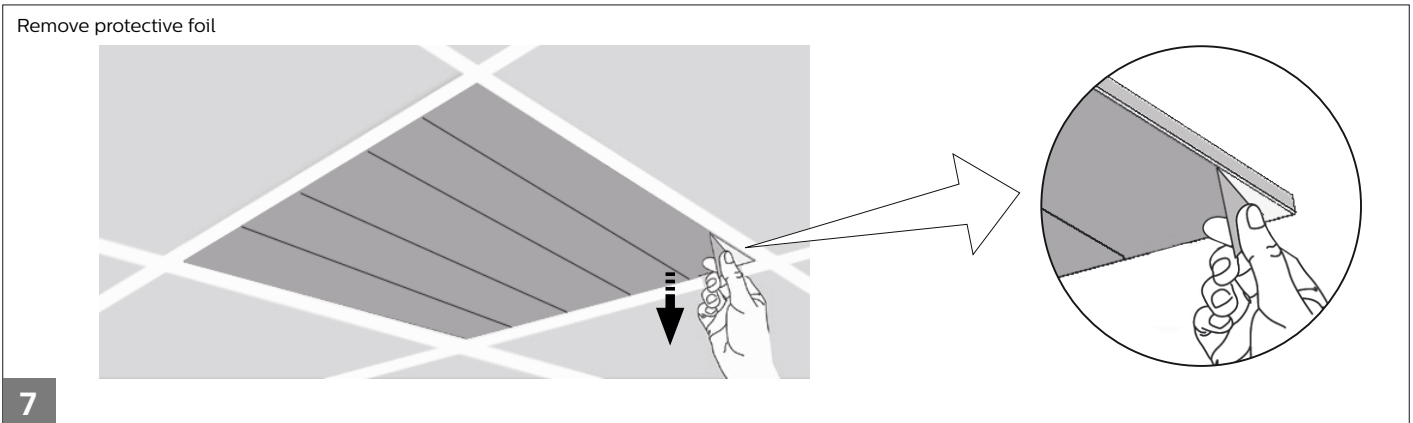
Square ✗ ☹



**Wieland (W)**

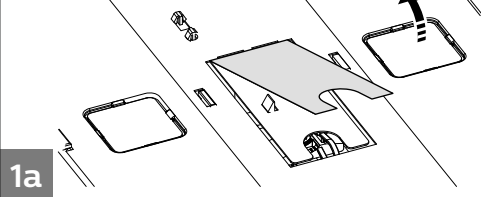


Remove protective foil

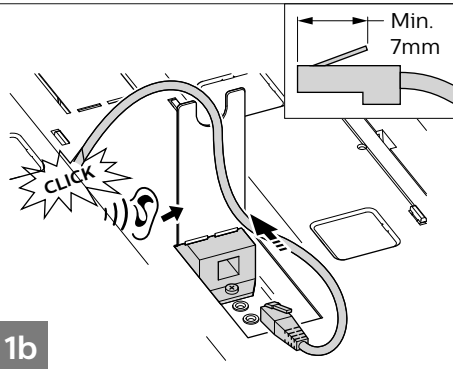


### Interact Office Wired (PoE)

Condition Philips to specify to the customers (instruction):  
> to use UTP (Unshielded Twisted Pair) CAT5E or CAT6 cable  
> the maximum length of the cable to be 20 meters.  
Apply a minimum radius of the Ethernet cable of 4x the cable diameter.



1a



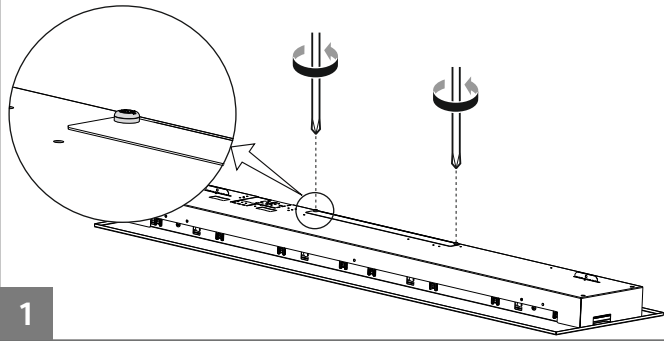
1b

### SpaceWise (SWZ)

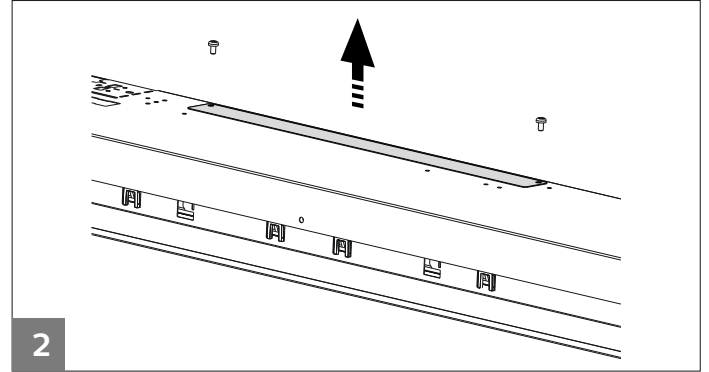
More information on installing and commissioning of SpaceWise:



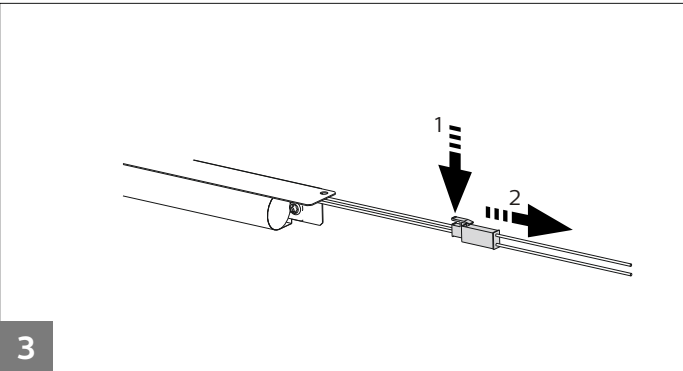
### Battery replacement instruction



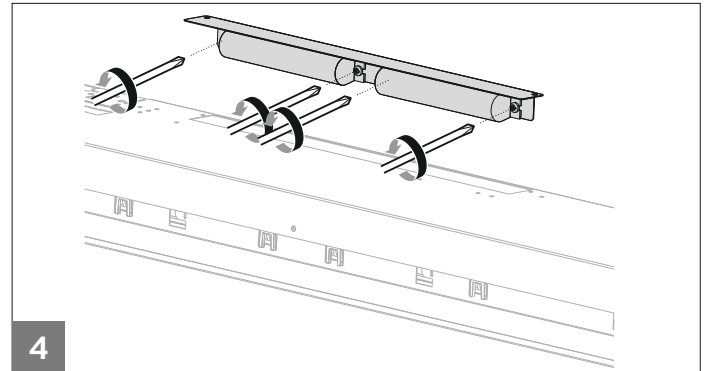
1



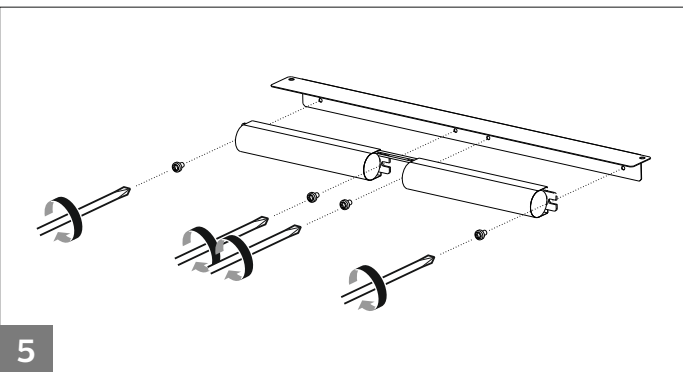
2



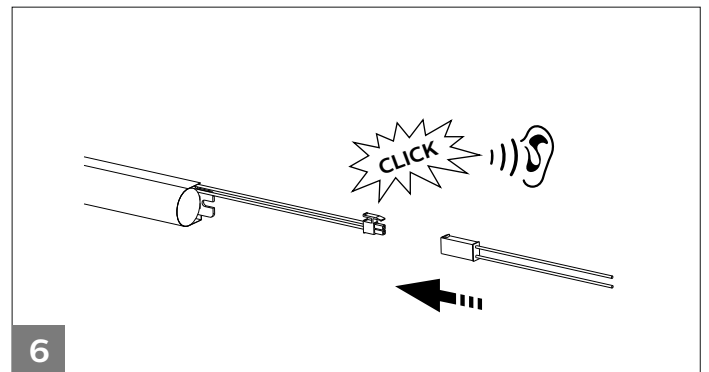
3



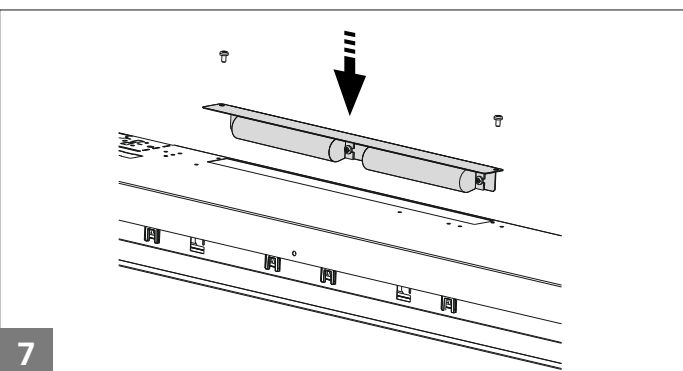
4



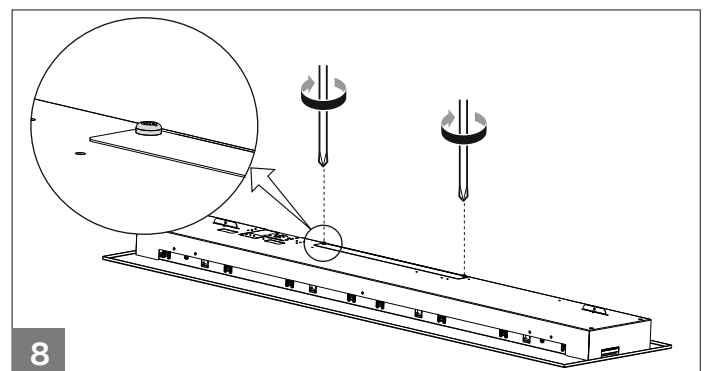
5



6

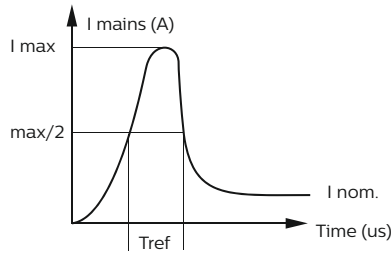


7



8

## Inrush current



## POWER CONSUMPTION

DRIVER TYPE	OPAL (O)			TEXTURED (PCS)			MLO		
	2800lm	3600lm	4200lm	2800lm	3600lm	4200lm	2800lm	3600lm	4200lm
	P[W]	P[W]	P[W]	P[W]	P[W]	P[W]	P[W]	P[W]	P[W]
PSU	22.5	30.0	35.5	20.5	26.5	31.0	29.0	38.5	47.5
PSD	23.5	30.5	36.0	20.5	26.5	31.5	29.5	39.0	47.5
SR	23.5	30.5	36.0	20.5	26.5	31.5	29.0	38.5	47.5
PoE	23.5	30.5	36.0	20.5	26.5	31.5	29.5	39.0	47.5
PSU ELB/ELP	26.5	34.0	39.5	24.5	30.5	35.0	33.0	42.5	51.5
PSD ELP/ELD	28.0	34.0	40.0	25.0	31.0	35.0	33.5	43.0	52.0
SR ELP/ELD	-	-	-	24.5	-	-	-	-	51.5
PoE ELE	28.0	-	40.0	25.0	31.0	35.0	33.5	43.0	52.0

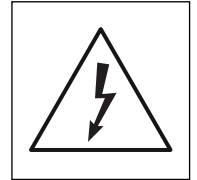
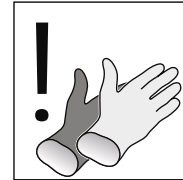
## ELECTRICAL CHARACTERISTICS

DRIVER	I <sub>max</sub> [A]	T <sub>ref</sub> [μs]	No.Lum per MCB									
			B-10A	B-13A	B-16A	B-20A	B-26A	C-10A	C-13A	C-16A	C-20A	C-26A
PSU	17.8	282	15	19	24	30	37	24	32	40	49	62
PSD	21	280	15	19	24	30	37	24	32	40	49	62
SR	21	280	15	19	24	30	37	24	32	40	49	62
EL-B/P/D	5	110	-	-	-	-	-	-	-	-	-	-

## Maintenance instructions

To assure the lighting quality of this unique LED lighting concept there are a few instructions regarding the maintenance of this LED luminaire:

- Do not touch electronic components!  
Electronic components are under high voltage.  
Electronic components are ESD sensitive.
- During installation or when maintaining the luminaire please use static free gloves to avoid marks on the luminaire.
- To remove dirt and spots use the following:
  - Dust: only use micro fiber cloths
  - Fingerprints, etc.: use a cleaner for synthetic materials with antistatic properties.
- Do not stare into the LED light beam.
- To avoid scratches and dirt on optical parts remove protective foil after installation.
- The luminaire shall be installed by a qualified electrician and wired in accordance with the latest IEE electrical regulations or the national requirements.
- The lightsource is not replaceable. In case of damage replace the luminaire.
- Driver insulation: Basic according to IEC 61847-1



© 2018 Signify Holding

All rights reserved. This document contains information relating to the product portfolio of Signify which information may be subject to change. No representation or warranty as to the accuracy or completeness of the information included herein is given and any liability for any action in reliance thereon is disclaimed. The information presented in this document is not intended as any commercial offer and does not form part of any quotation or contract.

Philips and the Philips Shield Emblem are registered trademarks of Koninklijke Philips N.V. All other trademarks are owned by Signify Holding or their respective owners.

Signify Holding  
The Netherlands