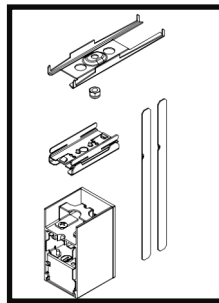


System Overview

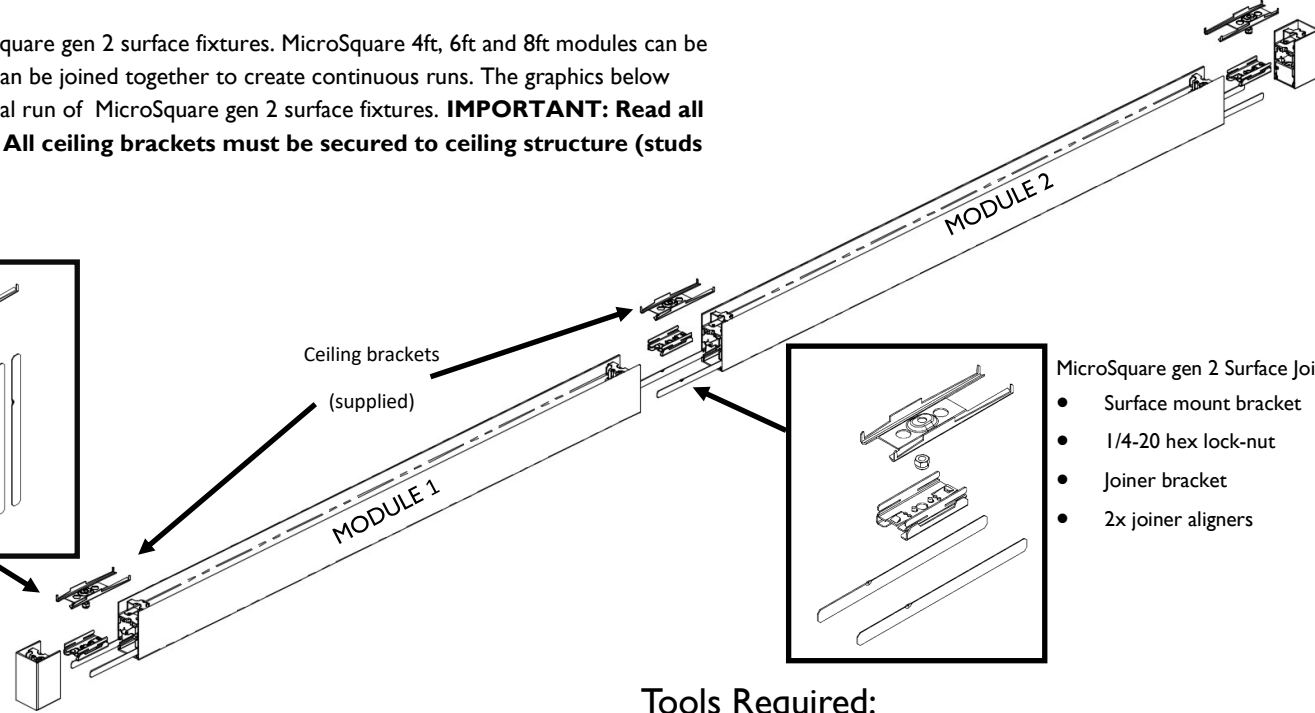
These instructions review how to install MicroSquare gen 2 surface fixtures. MicroSquare 4ft, 6ft and 8ft modules can be installed as individual standalone units, or they can be joined together to create continuous runs. The graphics below show the components required to install a typical run of MicroSquare gen 2 surface fixtures. **IMPORTANT: Read all instructions before beginning installation. All ceiling brackets must be secured to ceiling structure (studs or cross-braces).**

MicroSquare gen 2 Endcap Kit(s)

- Surface mount bracket
- 1/4-20 hex lock-nut
- Joiner bracket
- 2x joiner aligners
- Endcap

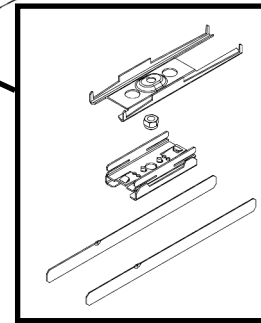


Ceiling brackets
(supplied)



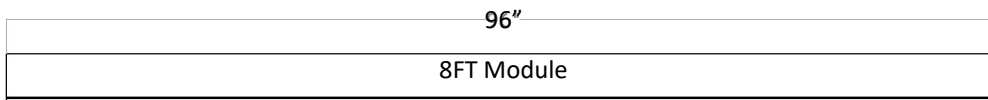
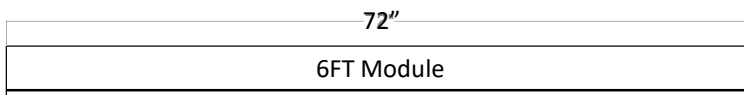
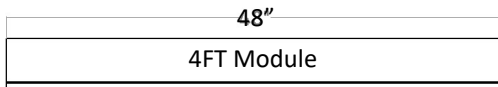
MicroSquare gen 2 Surface Joint Kit(s)

- Surface mount bracket
- 1/4-20 hex lock-nut
- Joiner bracket
- 2x joiner aligners



Module Lengths

MicroSquare surface fixtures come in 4ft, 6ft and 8ft modules. Overall module lengths are shown below. Add 2.3" for each endcap for accurate run length.



Tools Required:

- Philips Screwdriver
- 7/16" Open Wrench
- 7/16" Nut Driver

Mount Spacing

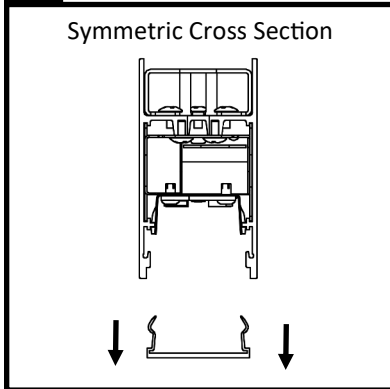
MicroSquare gen 2 fixture modules are designed for exact on-grid mounting.

Module Length	Mounting Dimensions
4FT	48"
6FT	72"
8FT	96"

! ATTENTION: Install in accordance with national and local building and electrical codes.

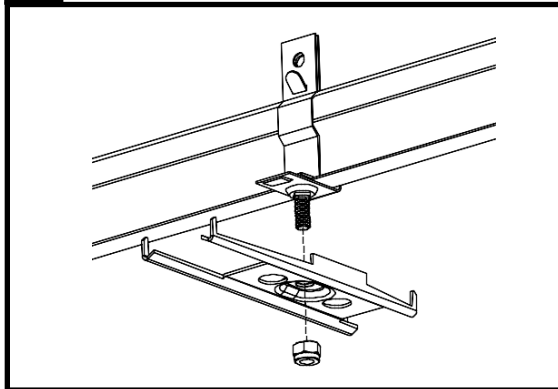
1 Arrange boxed fixtures on floor in specified mounting locations. Remove fixtures from boxes.

2 Lens Removal



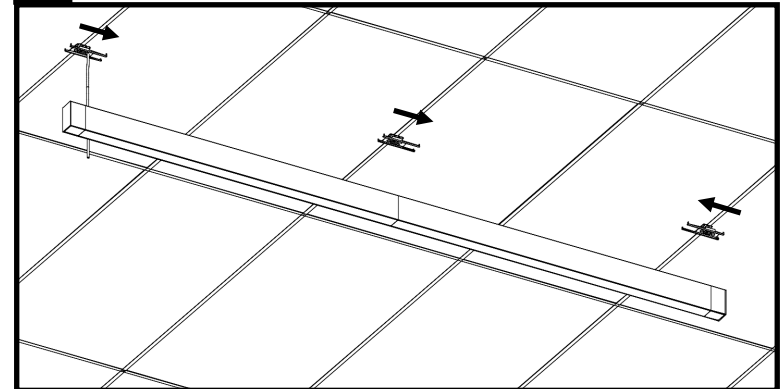
Remove lens from fixture and set aside until fixture installation is complete. Use cotton gloves to handle lenses and keep in a clean environment.

3 Surface Bracket and Mounting Hardware



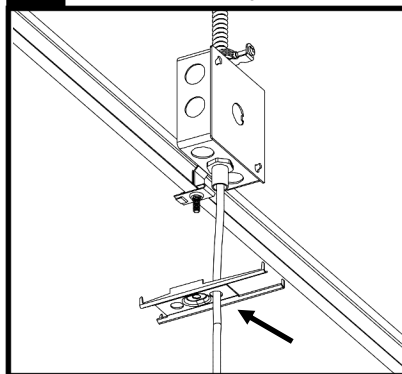
Determine locations of the surface mount brackets and install the grid mounting hardware. Do not install the surface mount brackets at this stage.

4 Surface Mount Bracket Orientation



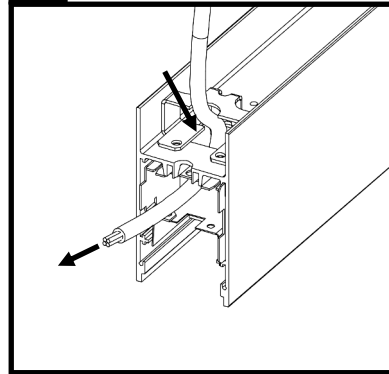
The orientation of the brackets is critical to a successful installation. Orient the brackets such that the long ends all face the away from the power entry. Rotate the brackets at the ends so the long side faces inward.

5 Power Feed Preparation



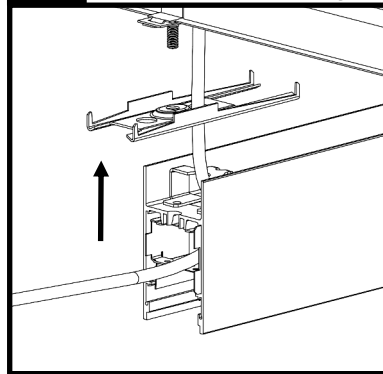
With the junction box installed according to code, thread the surface bracket onto the power wire as seen above.

6 Power Wire Routing



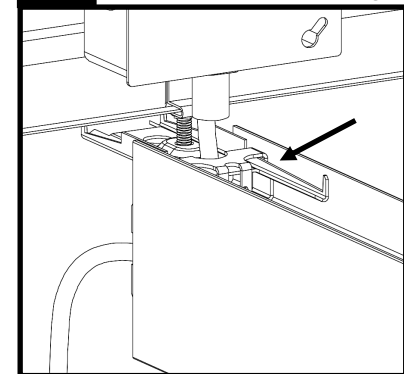
Bring the power wire through the machined detail and out the end of the first fixture.

7 Raise Fixture to Ceiling



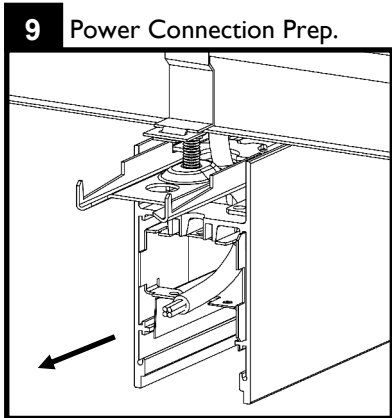
Bring the fixture and joiner closer to ceiling while pulling the extra length through the fixture.

8 Surface Bracket Mounting

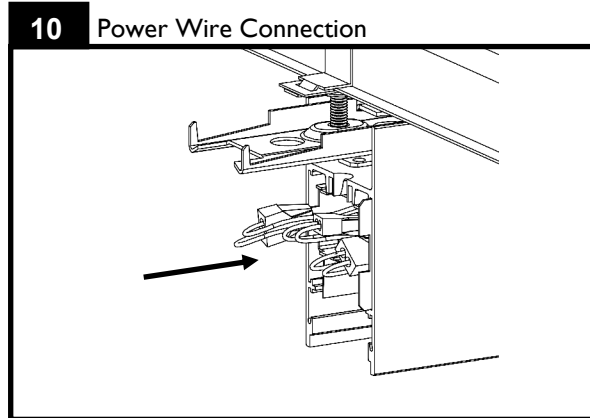


Hook the surface bracket into the luminaire and finish raising the fixture to the ceiling. Loosely fasten the nut below the bracket to the ceiling to support this end of the first fixture. See step 12 for another view of the hook detail.

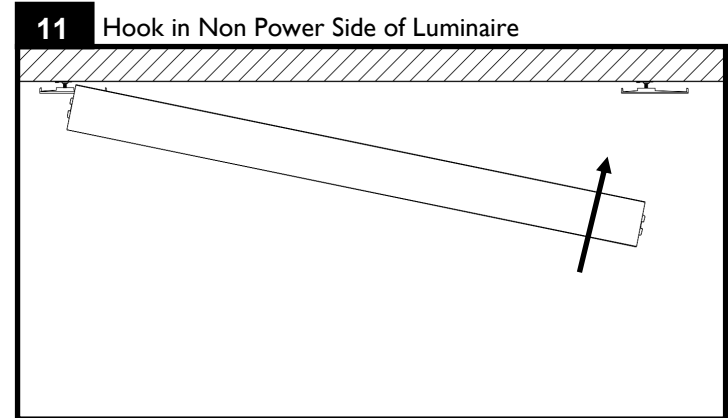
! **ATTENTION: Install in accordance with national and local building and electrical codes.**



9 Power Connection Prep.
Pull length of wire through and cut off excess length. Strip the wires to expose the conductors that will connect to the fixture's power wires.

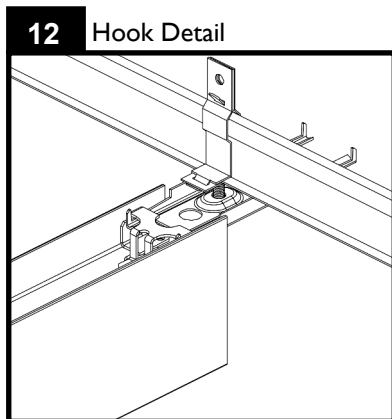


10 Power Wire Connection
Connect power cable to the through wiring already present in the luminaire. Once connected, push wires at least 2" (50mm) into luminaire.

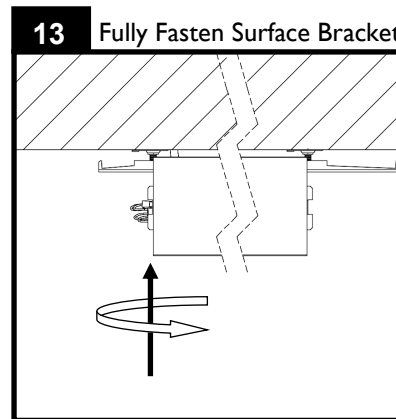


11 Hook in Non Power Side of Luminaire
With one end supported by the surface mount bracket, raise the other end to the ceiling. Hook the short end of the next surface bracket into the luminaire and loosely fasten the bracket to ceiling.

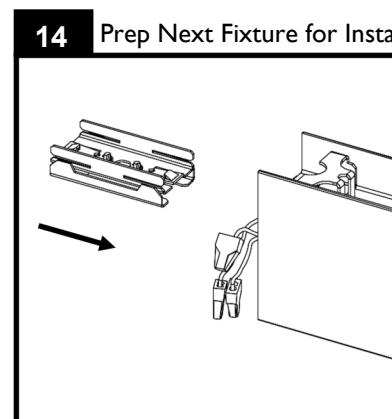
*Note: If at end of linear run, the long end of the surface bracket must hook into the fixture otherwise the endcap will not fit.



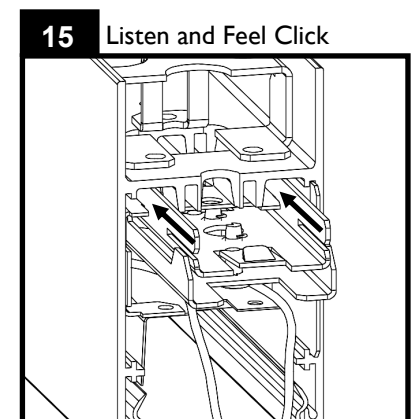
12 Hook Detail
The surface mount bracket hooks into the sheet metal bracket located in the top channel of the luminaire. Fasten the bracket to the ceiling (tight enough that the nut will not back off but loose enough that the next fixture can be hooked to the other end of the surface bracket).



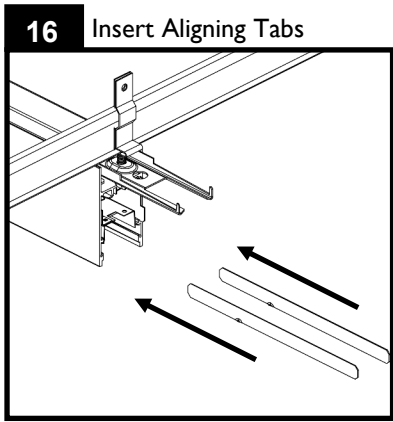
13 Fully Fasten Surface Bracket
Now that both sides of the luminaire are supported, fully fasten the nut below the bracket at the powered end of the fixture.



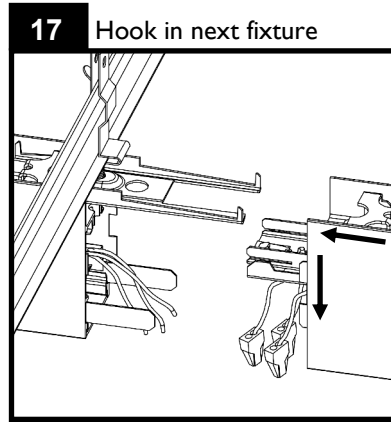
14 Prep Next Fixture for Install
Bring the power wires out the end of the next fixture and bend down. Insert the joiner bracket squarely into sheet metal cross plate.



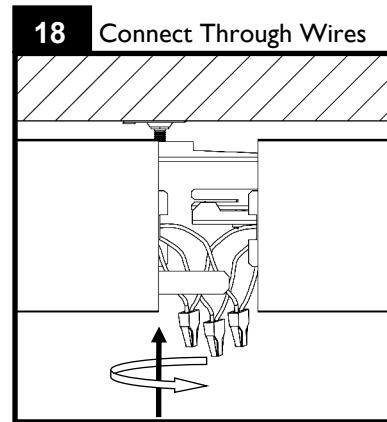
15 Listen and Feel Click
Top tabs of the joiner should go between the extrusion and the sheet metal cross plate. The joiner bracket should seat fully and an audible and tactile click should be heard.



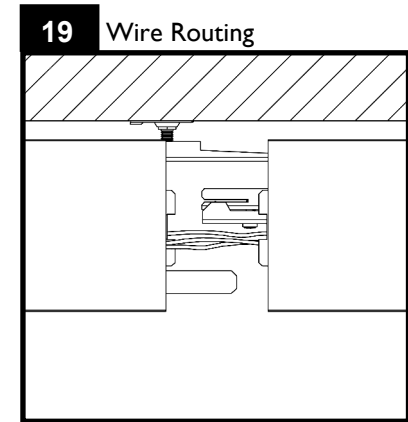
Slide joiner aligners into the bottom extrusion detail of the fixture that is already mounted to ceiling. Ensure the small bump on the aligner is toward the lens. *Note: location of small bump should always be on the bottom.



Take the next fixture and hook one end to the surface bracket. The other end of the fixture will need to be held by a second person.

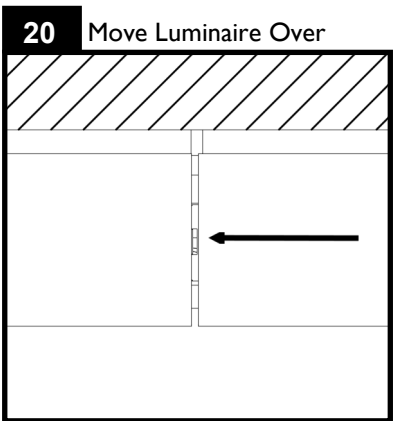


In the gap separating the two fixtures, connect the wires. Once wiring is complete, fully tighten the nut below the surface mount bracket.



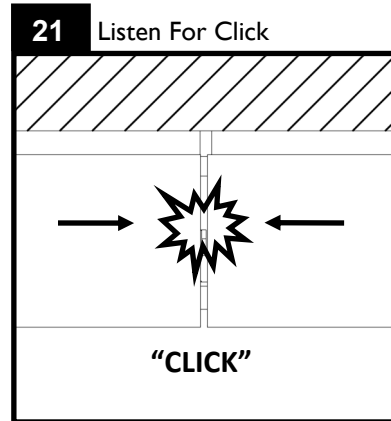
Once connected, push wiring connectors at least 2" (50mm) into the luminaire that does not have the joiner.

Before proceeding, ensure the surface bracket that is between the two fixtures is completely tightened.

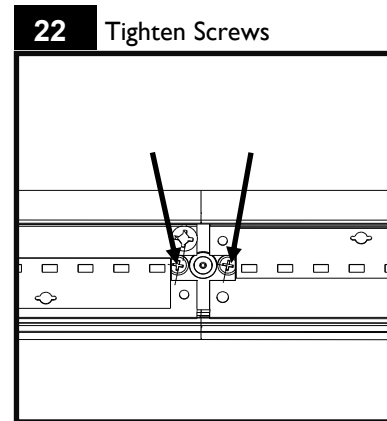


Move luminaire over to make room for installing the next surface bracket.

Hook the unsupported (or un-hooked) end of the connecting luminaire onto the next surface bracket.

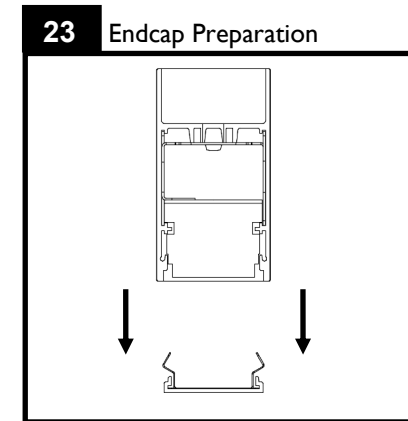


Now that both ends are supported by a surface bracket push the luminaires together and listen for a click as the joiner bracket is located.



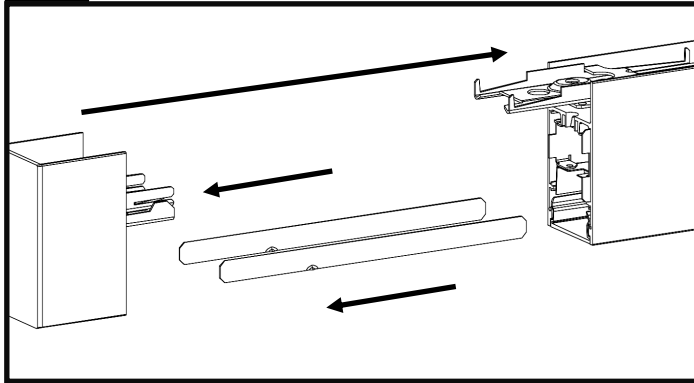
Incrementally tighten the screws, alternating between the two.

Repeat steps 14-22 until the linear run is fully connected (electrically and mechanically).



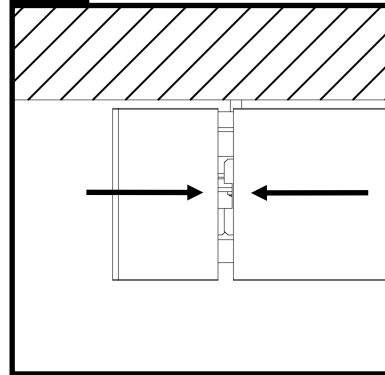
Remove bottom cover from endcaps.

24 Install Endcap



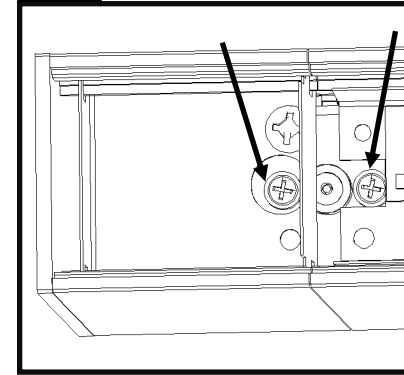
Ensure the nut below the surface bracket that is between the luminaire and endcap is completely tightened to ceiling. Push any exposed wires back into the wiring cavity. Install the joiner aligners and joiner bracket to the endcap.

25 Listen for Click



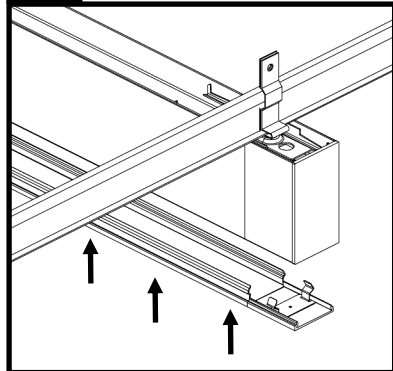
Push endcap onto the luminaire and listen for a click as the joiner bracket is located.

26 Tighten Screws



Tighten the screws alternating between the two.

27 Reinstall Lens and Endcap Plates



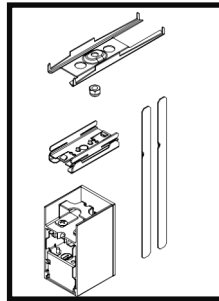
Wipe lenses with a clean cloth to remove any dust. Reinstall the lenses and endcap plates.

System Overview

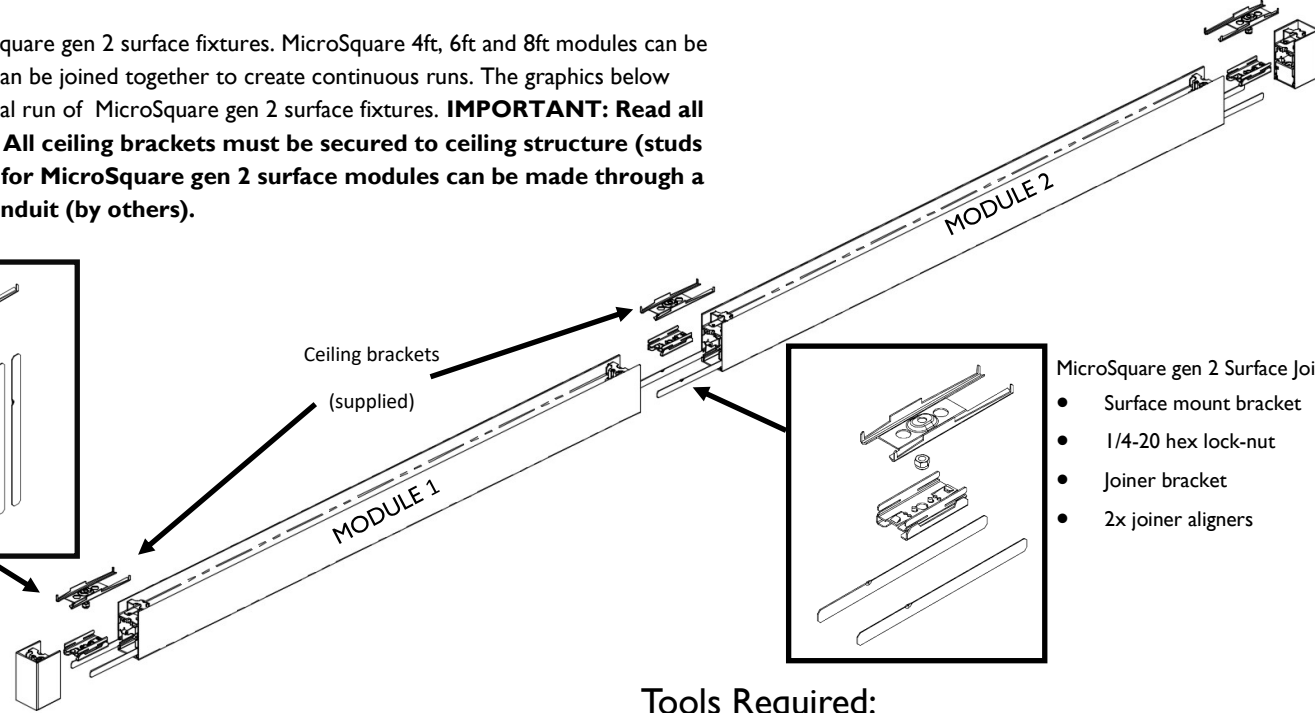
These instructions review how to install MicroSquare gen 2 surface fixtures. MicroSquare 4ft, 6ft and 8ft modules can be installed as individual standalone units, or they can be joined together to create continuous runs. The graphics below show the components required to install a typical run of MicroSquare gen 2 surface fixtures. **IMPORTANT: Read all instructions before beginning installation. All ceiling brackets must be secured to ceiling structure (studs or cross-braces). Power feed connections for MicroSquare gen 2 surface modules can be made through a surface mounted junction box/exposed conduit (by others).**

MicroSquare gen 2 Endcap Kit(s)

- Surface mount bracket
- 1/4-20 hex lock-nut
- Joiner bracket
- 2x joiner aligners
- Endcap

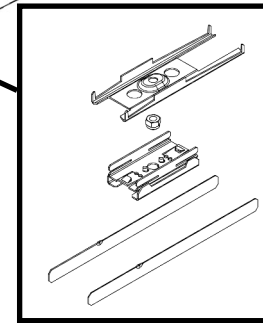


Ceiling brackets
(supplied)



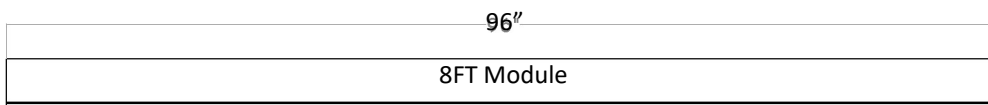
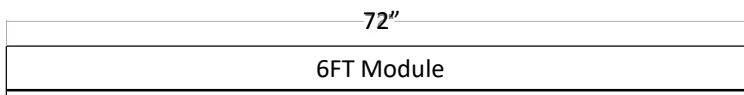
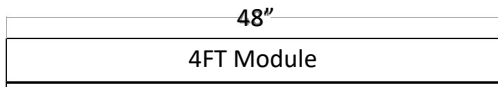
MicroSquare gen 2 Surface Joint Kit(s)

- Surface mount bracket
- 1/4-20 hex lock-nut
- Joiner bracket
- 2x joiner aligners



Module Lengths

MicroSquare surface fixtures come in 4ft, 6ft and 8ft modules. Overall module lengths are shown below. Add 2.3" for each endcap for accurate run length.



Tools Required:

- Philips Screwdriver
- 7/16" Open Wrench
- 7/16" Nut Driver

Mount Spacing

MicroSquare gen 2 fixture modules are designed for exact on-grid mounting.

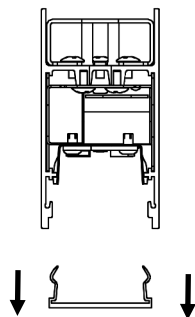
Module Length	Mounting Dimensions
4FT	48"
6FT	72"
8FT	96"

! ATTENTION: Install in accordance with national and local building and electrical codes.

1 Arrange boxed fixture on floor in specified mounting location, remove fixtures from boxes. Install all ceiling mounting components using separate installation instructions.

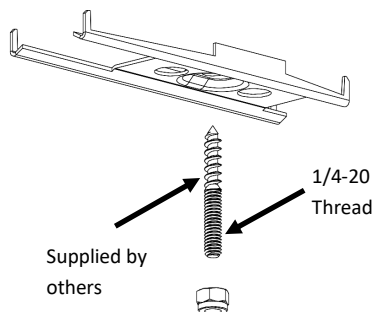
2 Lens Removal

Symmetric Cross Section



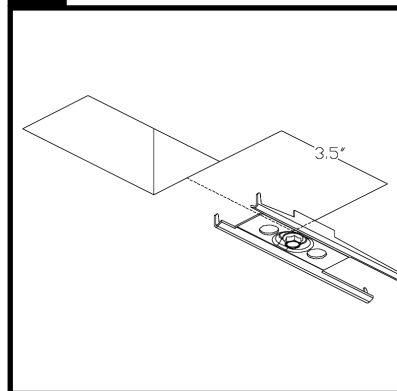
Remove lens from fixture and set aside until fixture installation is complete. Use cotton gloves to handle lenses and keep in a clean environment.

3 Surface Bracket Installation



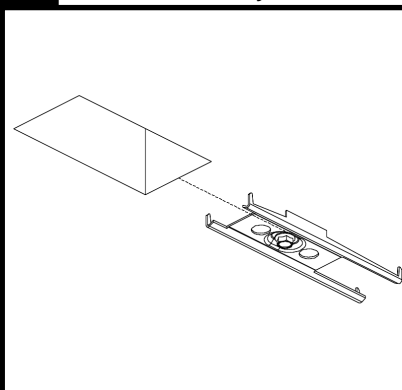
Determine locations of the surface mount brackets. Loosely install the brackets without fully tightening the fasteners. For inaccessible installations, use the table on page 1 for exact bracket spacing. Center and install ceiling brackets to structure (studs or cross-braces) using the appropriate hardware (by others).

4 Recessed Junction Box



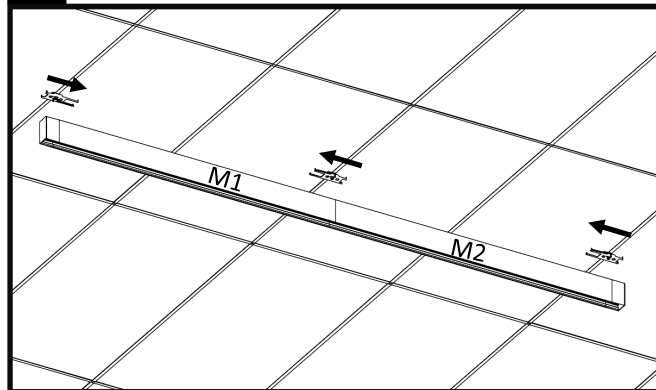
For a recessed 2"X4" utility box, align and center with ceiling brackets and install with long edge parallel to the fixture module length. Ensure the utility box is positioned at least 3.5" (85mm) away from the ceiling bracket.

5 Surface/Recessed Junction Box



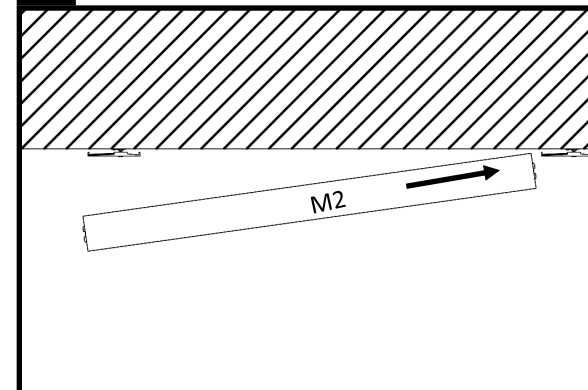
For a cleaner install and better alignment with installed fixture modules, center junction box and conduit exit with centerline of surface mount brackets.

6 Install Surface Mount Brackets



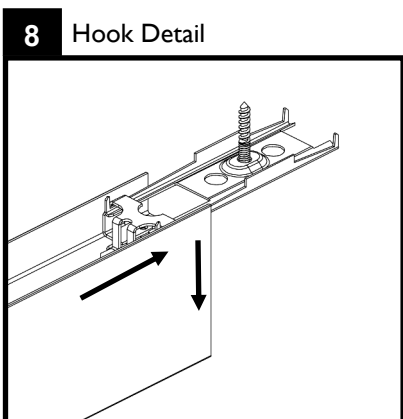
The orientation of the brackets is critical to a successful installation. Orient the brackets such that the long ends all face the towards the power entry. Rotate the brackets at the ends so the long side faces inward.

7 Hook in Non Power Side of Luminaire

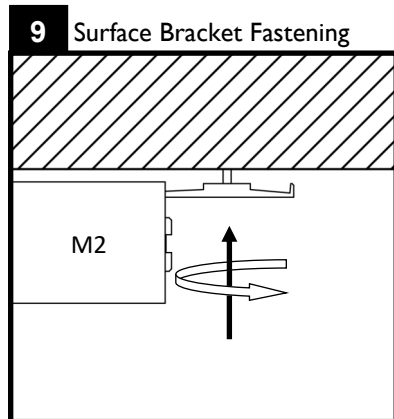


Begin installation with the fixture furthest from the power entry location. Clip in the end of the fixture that will not connect to another fixture.

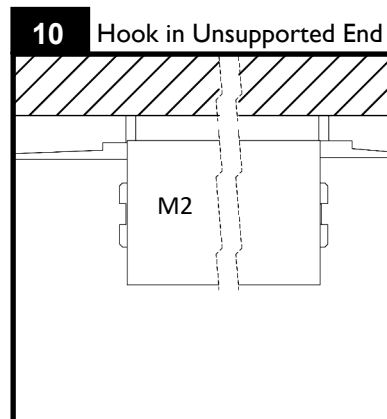
! ATTENTION: Install in accordance with national and local building and electrical codes.



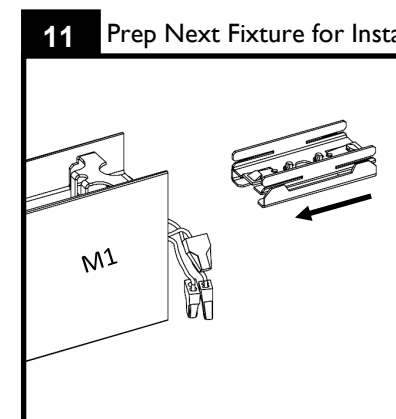
The surface mount bracket hooks into the sheet metal bracket located in the top channel of the luminaire. Fasten the bracket to the ceiling (tight enough that the fastener will not back off but loose enough that the next fixture can be hooked to the other end of the surface bracket).



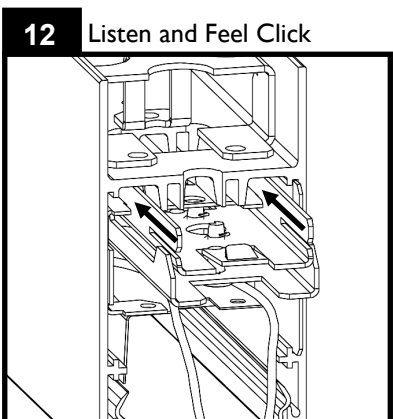
The non-powered end should be supported by the surface mount bracket. Finish tightening the nut below the bracket to the ceiling.



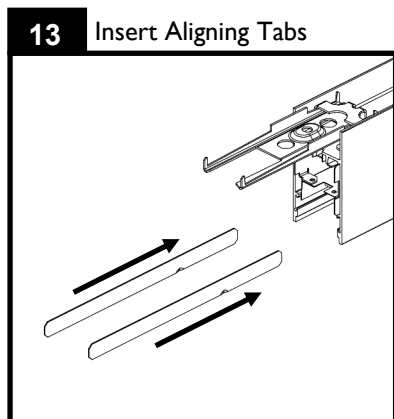
Hook the other end of the fixture onto the next bracket. To do this, the second surface mount bracket will need to be removed, hooked to the fixture and refastened (loosely).



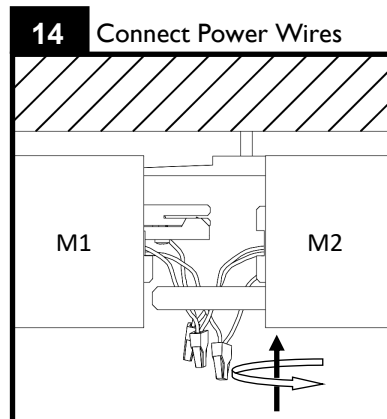
Bring the power wires out the end of the next fixture and bend down. Insert the joiner bracket squarely into this fixture.



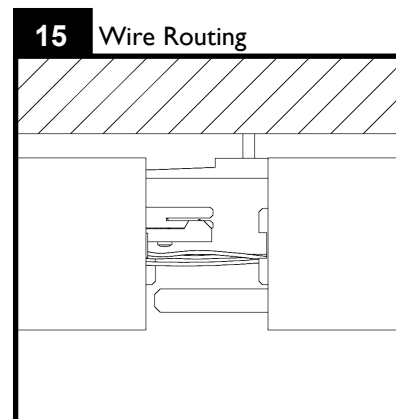
Top tabs of the joiner should go between the extrusion and the sheet metal cross plate. The joiner bracket should seat fully and an audible and tactile click should be heard.



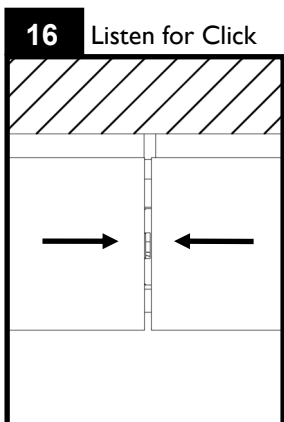
Slide joiner aligners into the bottom extrusion detail of the fixture that is already mounted to ceiling. Ensure the small bump on the aligner is toward the lens. *Note location of small bump should always be on the bottom.



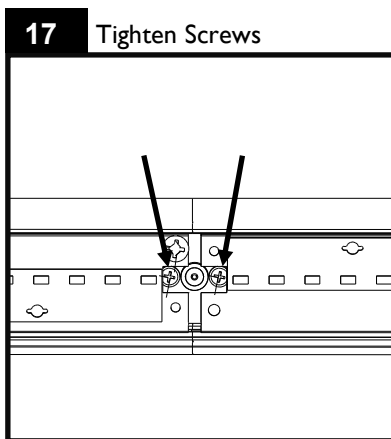
Take the next fixture and hook one end of the fixture to the surface bracket. The other end of the fixture will need to be held by a second person. In the gap separating the two fixtures, connect the wires. Once wiring is complete, fully tighten the nut below the surface mounting bracket.



Once connected, push wiring connectors at least 2" (50mm) into the luminaire that does not have the joiner. Hook the unsupported (or un-hooked) end of the connecting luminaire onto the next surface bracket. Before proceeding, ensure the surface bracket that is between the two fixtures is completely tightened.

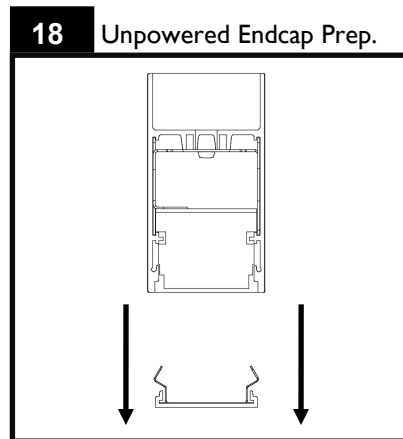


Push luminaires together and listen for a click as the joiner bracket is located.

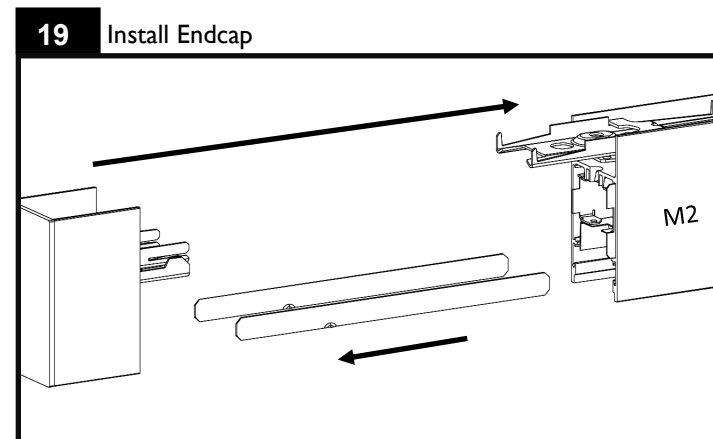


Incrementally tighten the screws, alternating between the two.

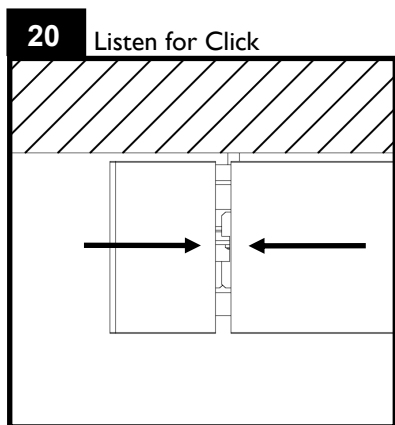
Repeat steps 11-17 until the linear run is fully connected (electrically and mechanically).



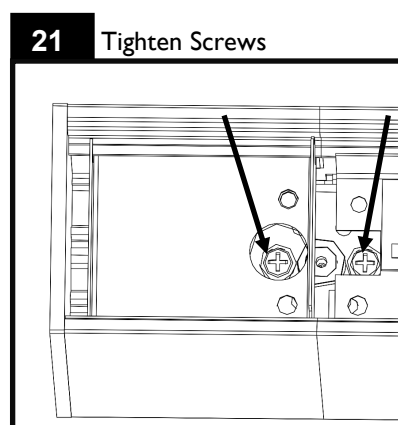
Remove the bottom cover from the endcap.



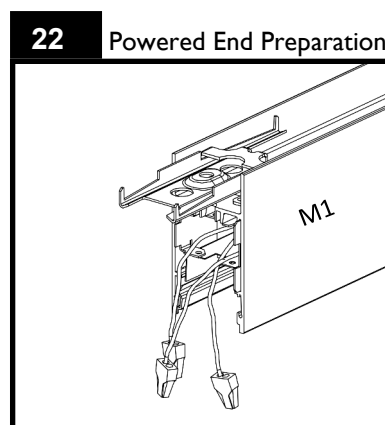
Push any exposed wires back into the wiring cavity. Install the joiner aligners and joiner bracket to the endcap.



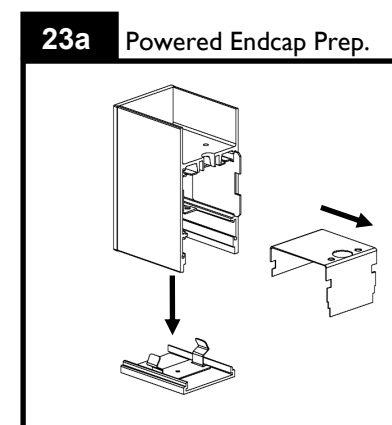
Push endcap onto the luminaire and listen for a click as the joiner bracket is located.



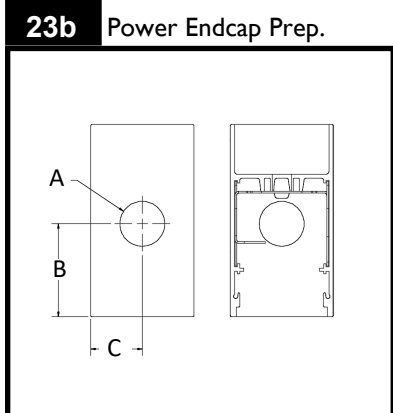
Tighten the screws alternating between the two.



At the powered end, pull the ends of the power wires out of the luminaire.



Remove the bottom cover and light blocker from the endcap.

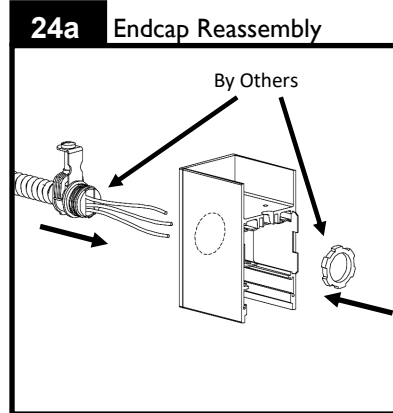


Center mark and drill a 7/8" diameter hole into the endcap. Use masking tape on all outside surfaces. Place on a wood block when drilling.

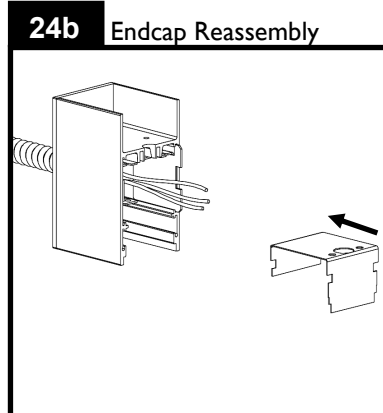
A=7/8"

B= 1, 13/16" or 46mm (±1/16")

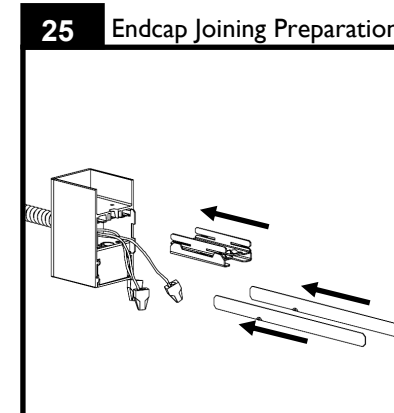
C= 1" or 25 mm



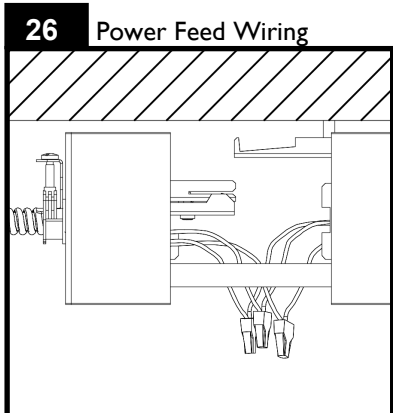
Prepare power feed by installing the conduit and the connectors (by others) to the drilled endcap.



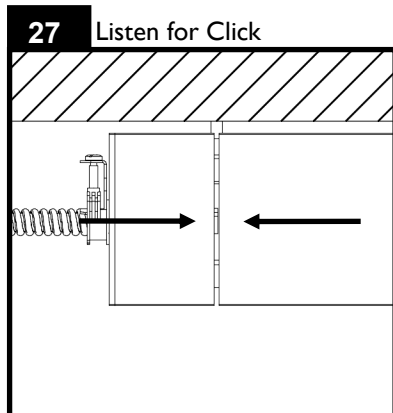
Reattach the light blocker.



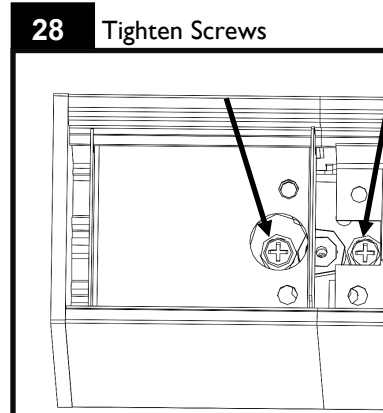
Connect the joiner and joiner aligners to the endcap. Refer to steps 11-13 if needed.



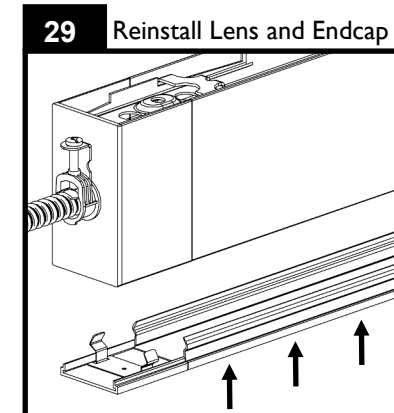
Slide endcap with the aligners into the luminaire. Connect the power wires. Tighten the nut below the surface mount bracket to ceiling. Push wires into the luminaire's wiring cavity.



Push endcap onto the luminaire and listen for a click as the joiner bracket is located.



Tighten the screws alternating between the two.



Wipe lenses with a clean cloth to remove any dust. Reinstall the lens and endcap plate.