



# FlexElite

Light without limits

Product Guide

# FlexElite



Bring bright, beautiful direct-view light to structures of all shapes and sizes.



## In this guide:

|                                 |    |
|---------------------------------|----|
| Introduction                    | 02 |
| Direct-view lighting            | 04 |
| What makes FlexElite different? | 06 |
| Meet the FlexElite family       | 08 |
| Color Kinetics technologies     | 10 |
| Key features                    | 12 |
| Complete solution               | 14 |
| Showcase                        | 16 |
| Specifications and information  | 20 |
| Dimensions and configurations   | 22 |
| Accessories                     | 25 |

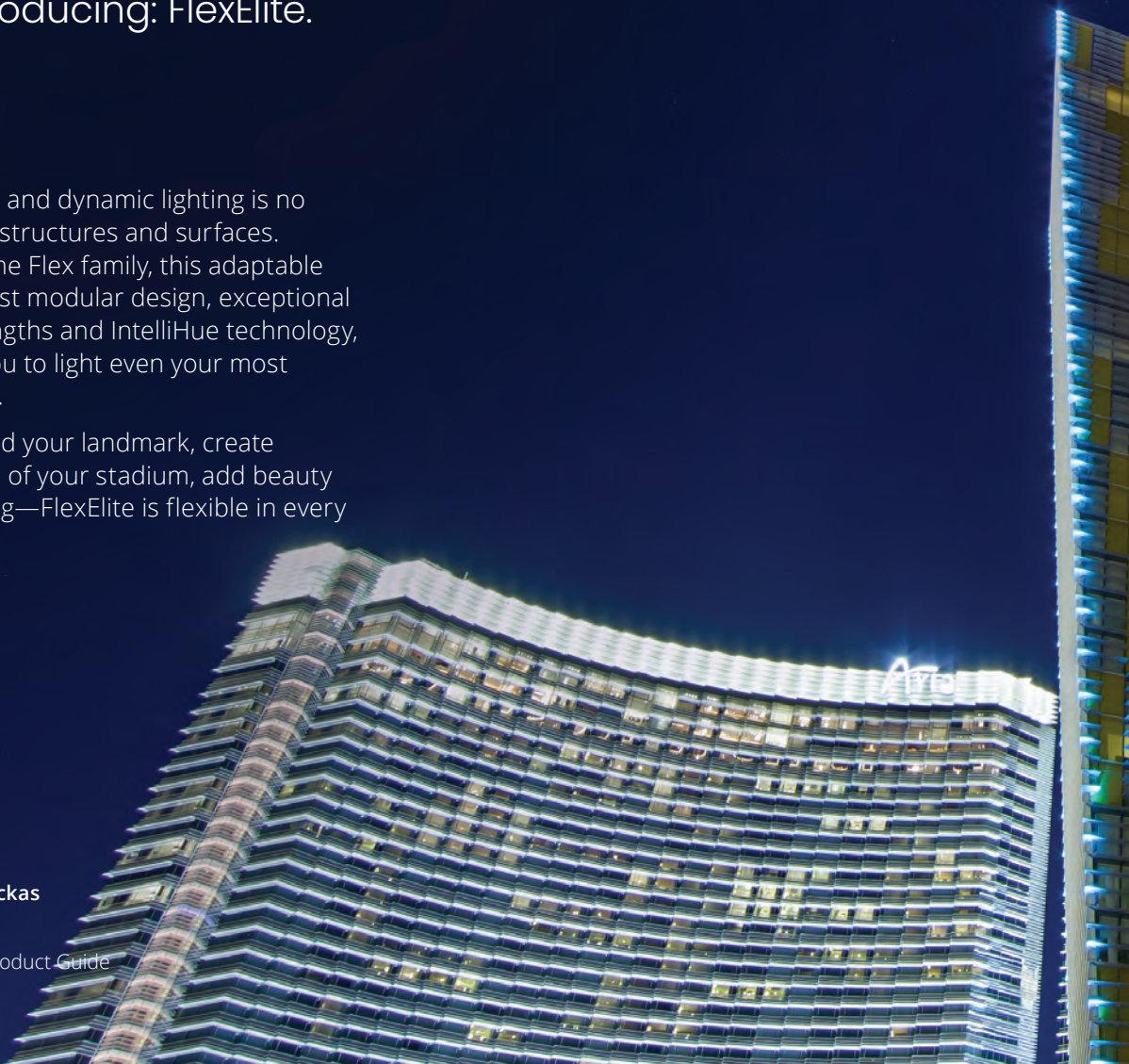
# Limitless direct-view lighting

Think about the world's most iconic skylines—Sydney, New York, Dubai, Shanghai—and you're met with the vision of glimmering glass and spiraling towers. They are some of the most impressive architectural feats of modern times, but lighting them effectively can be just as impressive. Introducing: FlexElite.

With FlexElite, advanced and dynamic lighting is no longer limited to simple structures and surfaces. The latest luminaire in the Flex family, this adaptable solution features a robust modular design, exceptional illuminance, long run lengths and IntelliHue technology, making it possible for you to light even your most challenging installations.

Generate intrigue around your landmark, create messages on the façade of your stadium, add beauty to your bridge or building—FlexElite is flexible in every sense of the word.

Photography: Darius Kuzmickas





## Brighter and better

FlexElite takes the title of the brightest and most flexible member of the Flex family. Why is it so popular? Because each design element has been planned and implemented with the end-user in mind. Jumper cables click together to make installation easy. The simple design means it's possible for you to choose exactly how many nodes you need, and even the spacing between them. Long run lengths make it perfect for tackling skyscrapers and other unconventional buildings.

FlexElite also has the performance levels to match its unrivaled adaptability. Each node emits over 100 lumens of light—five times brighter than other Flex luminaires—and they're available in four channel options. Tunable white light or whichever color matches your brand or message, the choice is yours. They're resilient to the elements, and have been tested in heat, cold, rain, wind, and snow.

With FlexElite, you can remove the shackles of conventional direct-view lighting and achieve your wildest artistic visions.

What makes FlexElite different?

# Remarkable, reliable, and ready to perform

What makes FlexElite so different?

## **Longer run lengths**

FlexElite can deliver run lengths of up to 305 meters (1,000 feet) with variable distance between nodes. This means you're not limited to small scale projects—you can light everything from arenas and office buildings to bridges and landmarks.

## **Bolder and brighter**

FlexElite is the undisputed brightest luminaire in the Flex family, outputting up to 142 lumens of light and ensuring your structure gets the awe and attention it deserves.

## **Eye-catching color**

With FlexElite, you can choose from several color options—including IntelliHue, RGBW, RGBA, and tunable white. This allows you to easily achieve the effect you desire and grab the attention of passers-by.

## **Robust design**

The FlexElite nodes are encased in a sleek, low-rise aluminium and glass form factor. This ensures the brand-new electronics and innovative technology inside stay protected at all times.

## **Proven performance**

Extremely reliable year after year—that's FlexElite. A smart design, top-tier technology and rigorous testing means we're confident when we say that this state-of-the-art luminaire will exceed your expectations.

## **Easy installation**

Push and click connectors and intuitive mounting options make it easy for installers to make FlexElite part of any structure.

## **Complete solution**

When you choose FlexElite, your options go way beyond the luminaire. You have access to a range of power/data supplies, controllers, and much more. It also integrates seamlessly with Philips ActiveSite, our trusted remote monitoring software.



Photography: Andras Vas on Unsplash

# Taking flexibility further

The entire Flex family is famed for its flexibility, but FlexElite goes the extra mile.

A unique, multi-part design puts the possibilities in the palm of your hand. Choose from various node counts and spacing and select from a variety of leader and jumper cable options to aid the installation process. FlexElite gives you everything you need to bring high-quality direct-view lighting to structures of all shapes and sizes.

# FlexElite Luminaires perfect for your project

FlexElite luminaires come in a selection of color options. All you need to do is choose the one that's right for you and your specific goals.

There are many reasons why choosing the right color for your luminaires is important. You may want to reflect your brand identity or relay a message. You might decide that clean, crisp white light is more appropriate for your application. Each FlexElite luminaire comes with its own set of skills, so let's explore your options.





### **FlexElite IntelliHue**

#### **For the highest-quality white and dynamic color light**

This popular luminaire utilizes innovative IntelliHue technology to deliver both high quality white and saturated color light. You'll have the freedom to explore a whole world of possibilities with millions of colors, including saturated reds and subtle pastels, as well as crisp, clear, and tunable white light. Plus, FlexElite IntelliHue comes equipped with Chromasync technology for maximum output and precise, consistent color.

**Read more about IntelliHue >**



### **FlexElite iColor, RGBW**

#### **Go beyond RGB**

FlexElite iColor, RGBW adds a separate white LED creating better-quality whites compared to RGB. For quality white light and color in the same luminaire, FlexElite iColor, RGBW represents a smart choice.



### **FlexElite iColor, RGBA**

#### **Emphasize warmer tones**

You'll get the same consistent performance and four-channel capabilities of other FlexElite luminaires, but with an added amber option. This unlocks more potential for color matching, an important ability when trying to portray the specific color of a brand. With FlexElite iColor RGBA you can achieve warmer tones such as gold, yellow, and orange.



### **FlexElite iW**

#### **For the brightest tunable white light**

Four channels of white light give you the freedom to set the color temperature you desire, from bright and cool to warmer tones. You can also use a single channel to provide Essential White light at the same brightness as in 4-channel mode.



Photography: Lucas Saugen

# Our advanced technologies raise the bar

Color Kinetics is setting new standards for consistency and accuracy by developing advanced technologies that work together to deliver escalating levels of quality, performance, and accuracy required for your most innovative and ambitious projects.

### **Optibin**

Our LED optimization technology begins the color consistency process by grouping (or binning) LEDs by flux as well as center wavelength. This proprietary binning optimization process uses an advanced bin selection formula that exceeds industry standards for chromaticity. The result? Higher uniformity and consistency of hue and color temperature for all our luminaires. Integrated into all FlexElite luminaires.

### **Chromatic**

Our custom-designed and patented microchip is the fast-thinking brain at the core of our intelligent luminaires, integrating power, communications, and control. About the size of a pencil eraser, Chromasic enables precise, pixel-level control of even the most complex lighting project. Unequaled simplicity, billions of colors, proven reliability, new possibilities—Chromatic delivers it all and more in a single silicon chip. At the core of all FlexElite luminaires.

### **IntelliHue**

Our advanced approach to color mixing produces high-quality white light, subtle pastels, and fully saturated colors in the same precisely controllable luminaire. All with unrivaled color accuracy across the entire range of color temperatures. Available on FlexElite IntelliHue luminaires.

### **Chromasync**

Our advanced output optimization technology controls and boosts output while ensuring color consistency. When enabled, Chromasync ensures excellent color consistency between luminaires, without manually adjusting color points on each luminaire. And it ensures the same lumen output across all color temperatures. Integrated into all FlexElite luminaires.

**To find out how innovative technologies within our advanced luminaires can help you do more visit [www.colorkinetics.com/Learn](http://www.colorkinetics.com/Learn).**

## **A Wide Range of Choices**

FlexElite comes in four different light options, and can be fitted with an array of accessories specifically designed for the luminaire family. So there are many options to choose from when selecting the ideal FlexElite for the job.

When it comes to color, the four available light output options all offer unique qualities that can be utilized in different ways, depending on the requirements of your installation. IntelliHue is perfect for dialing in precise and consistent colors across multiple luminaires, while IntelliWhite is the definitive choice for high quality tunable white light. With so many options, the choice is yours.

### **IntelliHue**

High-quality white light, subtle pastels, and saturated colors, all with unrivaled color accuracy across the entire range of color temperatures.

### **RGBW**

Better-quality white light as compared to RGB.

### **RGBA**

Expanded color range of warmer tones—gold, yellow and orange, as compared to RGB.

### **iW (IntelliWhite)**

Tunable white light in a range of color temperatures from 2200 K to 6500 K.

# Take a closer look

## Node numbers

With FlexElite you can choose from 1, 2, 5, 10 and 20 node sections, allowing you to achieve the effect you desire and fulfill your artistic vision.

## The perfect solution

FlexElite IntelliHue, RGBW, RGBA, iW—pick the luminaire to suit the needs of your project. Each has its own particular strengths.

## One luminaire, many options

FlexElite luminaires are designed with four-channels, so you can create the color or temperature of white light you desire.

## Customizable components

This isn't an off-the-shelf solution. You can use the FlexElite's numerous sections and jumper cables to completely tailor your installation.

### Rugged design

Each node is protected by a clear flat glass lens and sturdy aluminium housing. They've also been rigorously tested in real-world conditions and meet strict IP66 standards.

### FlexElite clear flat lens

A clear and strong flat lens covers the 60 mm (2.4 in) diameter nodes, and sturdy aluminium housing keeps all the internal electronics safe.



### Easy fit

With end-to-end locking connector and single-node mounts, you can easily attach FlexElite luminaires to even the most unconventional of structures.

### FlexElite optional dome lens with trim ring

Looking for increased visibility and viewing angle? FlexElite offers a dome lens option which fits perfectly over the default flat lens.



## FlexElite Clear Flat Lens

60 mm (2.4 in) diameter node features a clear flat glass lens in a sturdy aluminium housing. Available in IntelliHue, RGBW, RGBA, and iW.



## FlexElite With Optional Dome Lens With Trim Ring

A textured, squat dome lens fits snugly over the clear flat lens, increasing uniformity and viewing angle, and has a more visible profile. Add extra space with jumper cables, if necessary.



# Exceptional lighting takes more than a luminaire

To unlock the full potential of your FlexElite luminaires, you need the right components to power and control them. Color Kinetics completes your solution with:

## Controllers

Our broad line of controllers brings you differing capabilities that match your specific needs, the complexity of your project, and your budget. Our controllers offer the industry-standard DMX protocol, or our proprietary, scalable KiNET protocol for Ethernet networks. Because of addressing limitations, DMX is appropriate for relatively simple installations, or for light shows in which multiple FlexElite nodes operate in unison.

Because it is not subject to DMX addressing limitations, Ethernet is the preferred environment for intricate color-changing light shows. And FlexElite can also be used with third-party controllers.



## Power/Data Supplies

FlexElite accepts Ethernet input from the PDS-400 48V CA4 or CM-550 48V CA4 to support long runs not subject to DMX data and addressing limitations. This high-wattage, outdoor-rated power and data supply is perfect for large-scale architectural and media applications.

## Monitoring and Management

Interact Landmark (formerly Philips ActiveSite) is the first-ever cloud-hosted connected lighting system for architectural LED lighting installations. Interact Landmark allows you to remotely monitor, manage, and maintain an installation site from anywhere in the world, using a secure web connection.

# Brilliant bridges and spectacular structures



Photography: Kaan Verdioglu

FlexElite can be used to light even the most unconventional objects.

Steel cables, rocky facades, uneven surfaces—FlexElite has proven its worth in the most demanding environments. What effect will you create?



# Amazing architecture



Photography: Signify

FlexElite's direct-view nodes can easily line the contours of almost any architectural feature.

Day or night, FlexElite luminaires deliver dynamic color and white light, meeting the needs of designers and building owners worldwide.

FlexElite showcase

# Marvelous marquees



Photography: ©Joseph FREY, ©LEA

Combine FlexElite with curving canopies and other out-of-the-ordinary applications for stunning results.

The color and control capabilities of FlexElite allow you to create dynamic displays and effects, bringing a new level of visual interest to both your building's interior and exterior. You can even choose the dome lens for more visible and traditional applications.

# Bold and bright buildings



Photography: Xavier Boymond

Transform your city's skyline with saturated colors and clean, crisp whites.

The skyline is often the most striking and iconic image that people remember when thinking about a city, and FlexElite can help you leave a mark on yours. Light up the crown, adorn the façade, signal the start of events or holidays—IntelliHue technology gives you unlimited color and control options.

# Specifications and information

| Products               | Lens options                 | Node counts   | Power consumption | Lumens per node | Efficacy lm/W | Nits per node  | CRI          |
|------------------------|------------------------------|---|-------------------|-----------------|---------------|--|--------------|
| FlexElite IntelliHue   | Clear Flat Lens<br>Dome Lens | 1 Node<br>2 Nodes<br>5 Nodes<br>10 Node<br>20 Nodes | 2.5 W             | 64 to 132       | 28.3 to 53    | 111,353 cd/m <sup>2</sup><br>6,315 cd/m <sup>2</sup> | 80 to 82     |
| FlexElite iColor, RGBW |                              |   | 2.5 W             | 53 to 111       | 24.6 to 46.3  | 89,939 cd/m <sup>2</sup><br>5,052 cd/m <sup>2</sup>  | -            |
| FlexElite iColor, RGBA |                              |   | 2.5 W             | 42 to 94        | 17.9 to 37.9  | 69,231 cd/m <sup>2</sup><br>4,118 cd/m <sup>2</sup>  | -            |
| FlexElite, iW          |                              |   | 2.5 W             | 65 to 142       | 59.1 to 65    | 104,842 cd/m <sup>2</sup><br>6,399 cd/m <sup>2</sup> | 95.8 to 96.3 |

## General information

|  |  |
|--|--|
| Viewing Angles                                       | 140° (FlexElite Node, Clear Flat Lens)<br>180° (FlexElite Node with Dome Lens)   |
| LED Channels   | IntelliHue—Red/Green/Blue/Lime Green<br>RGBW—Red/Green/Blue/White<br>RGBA—Red/Green/Blue/Amber<br>iW—2700 K to 6500 K  |
| Input Voltage  | 48 VDC via PDS-400 48V CA4   |
| Housing Material                                     | PBT plastic and powder-coated aluminium  |
| Lens   | Tempered glass   |
| Vibration Resistance                                 | Complies with ANSI C136.31, 3G   |
| Mechanical Impact                                    | IK07 (IK10 with dome installed).   |
| Corrosion Resistance                                 | Complies with ASTM B117 standard for > 1,500 hours   |
| Approbations   | UL/cUL, FCC Class A, CE  |
| Environment  | Dry/Damp/Wet Location, IP66  |
| Weight<br>(See specification sheet for exact weight) | 1 Node = 0.22 kg (0.49 lb) to 0.25 kg (0.57 lb)<br>2 Nodes = 0.35 kg (0.77 lb) to 0.58 kg (1.27 lb)<br>5 Nodes = 0.73 kg (1.61 lb) to 1.35 kg (2.98 lb)<br>10 Nodes = 1.37 kg (3.02 lb) to 2.64 kg (5.82 lb)<br>20 Nodes = 2.65 kg (5.84 lb) to 5.23 kg (11.53 lb) |
| Dimensions   | Node, Clear Flat Lens - 60 x 97.81 x 27.66 mm (2.36 x 3.85 x 1.09 in)<br>Dome Lens with Trim Ring - 71.28 x 97.81 x 50.66 mm (2.81 x 3.85 x 1.99 in)   |

If you don't see what you need, a wide range of custom configurations are available.

## For further information

FlexElite is available in four different light options, and two housing colors. It can be fitted with an array of accessories specifically designed for the luminaire family. Complete details of every family, including Installation Instructions, Specification Sheets, .ies files, and product drawings, can be found on the product page.



**FlexElite IntelliHue**



**FlexElite iColor, RGBW**



**FlexElite iColor, RGBA**



**FlexElite iW**

## Accessories

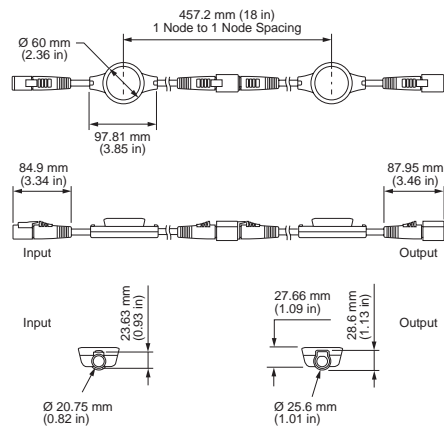
Accessory options let you customize FlexElite. Specification Sheets and product drawings can be found on the respective product pages.



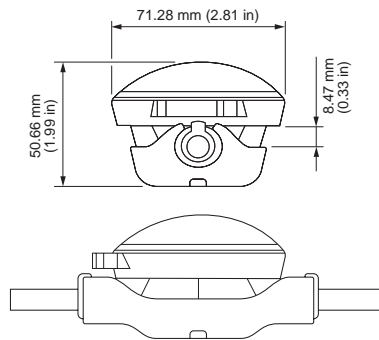
**Dome lens with trim ring and single-node mounting clips**

# Dimensions and Configurations

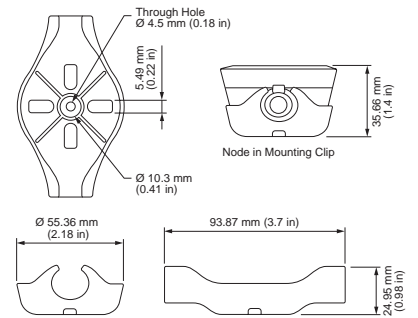
## Nodes—Clear Flat Lens



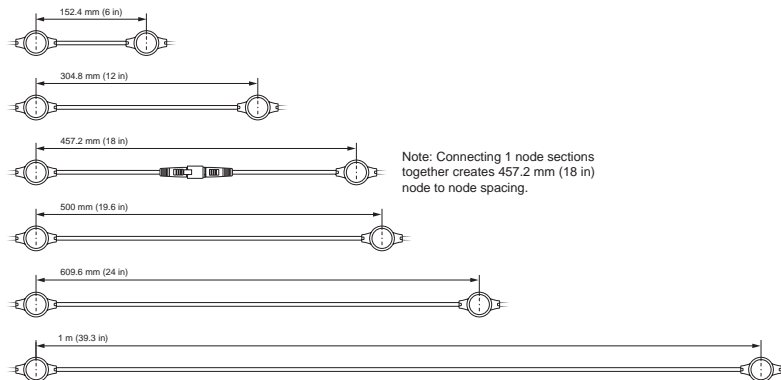
## Dome Lens with Trim Ring



## Mounting clip



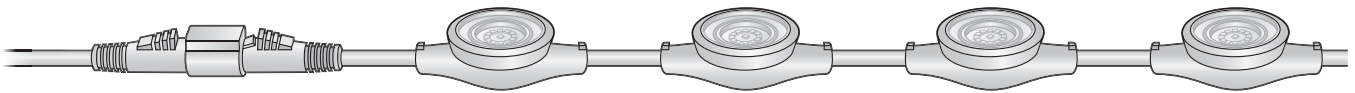
## Node spacing options



# FlexElite connections

Complete installation details, including Installation Instructions, can be found on the product page.

Connecting leader cable to node section



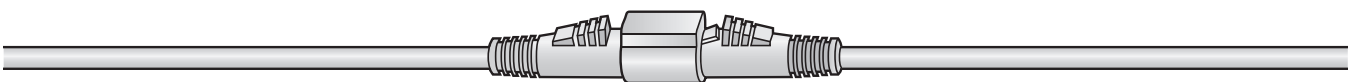
Connecting node sections



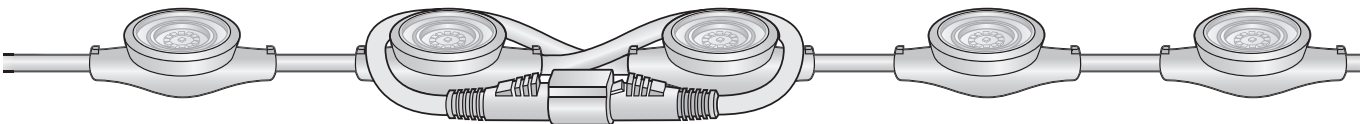
Connecting node section, jumper cable, node section



Connecting jumper cable to jumper cable



Connecting node strings while maintaining 152.4 mm (6 in) or 304.8 mm (12 in) node spacing



## Configuration and planning

Regardless of the size and complexity of your installation, the planning time you spend up front can help streamline the installation and configuration of your luminaires. Keep these points in mind as you plan your installation:

### **Which Power/Data Supplies are right for your luminaires?**

Download the **Color Kinetics Product List**.

### **Want to display video on your structure?**

You may be a lighting designer who wants to tap the power of video, a municipality that wants to turn a landmark into an icon, or a building owner/manager who wants to draw attention to your office tower, stadium, casino, or other structure. Before you dive into video, there are some initial questions you need to ask yourself, key elements you'll need to create a complete solution, and some specific technical considerations that you need to address by reading **Color Kinetics Video Guidelines**.

### **QuickPlay Pro 2**

FlexElite luminaires operate in 8-bit mode by default. To address luminaires, including switching between 8-bit mode and 16-bit mode, download **QuickPlay Pro 2**.

### **Additional considerations**

Determine whether to address luminaires and configure your lighting system offline or interactively. With offline configuration, you stage and configure your system off-site, prior to installation. Offline configuration can be convenient when luminaires are to be installed in multiple locations or locations with difficult access. Interactive configuration is typically performed by an experienced technician, after luminaires have been installed. The interactive method can save time, since you only connect and test your luminaires once.



# Accessories

|   | Item Number   | Item 12NC    |
|---|---------------|--------------|
| FlexElite Leader Cable, 7.5 m (25 ft), Black, UL/CE                               | 108-000085-00 | 912400136420 |
| FlexElite Leader Cable, 15 m (50 ft), Black, UL/CE                                | 108-000085-01 | 912400136421 |
| FlexElite Leader Cable, 30 m (100 ft), Black, UL/CE                               | 108-000085-02 | 912400136422 |
| FlexElite Leader Cable, 60 m (200 ft), Black, UL/CE                               | 108-000085-03 | 912400136423 |
| FlexElite Jumper Cable, 305 mm (1 ft), Black, UL/CE                               | 108-000085-04 | 912400136424 |
| FlexElite Jumper Cable, 500 mm (1.7 ft), Black, UL/CE                             | 108-000085-05 | 912400136425 |
| FlexElite Jumper Cable, 610 mm (2 ft), Black, UL/CE                               | 108-000085-06 | 912400136426 |
| FlexElite Jumper Cable, 1 m (3.3 ft), Black, UL/CE                                | 108-000085-07 | 912400136427 |
| FlexElite Jumper Cable, 1.5 m (5 ft), Black, UL/CE                                | 108-000085-08 | 912400136428 |
| FlexElite Jumper Cable, 2 m (6.6 ft), Black, UL/CE                                | 108-000085-09 | 912400136429 |
| FlexElite Jumper Cable, 3 m (10 ft), Black, UL/CE                                 | 108-000085-10 | 912400136430 |
| FlexElite Leader Cable, 7.5 m (25 ft), White, UL/CE                               | 108-000085-11 | 912400136431 |
| FlexElite Leader Cable, 15 m (50 ft), White, UL/CE                                | 108-000085-12 | 912400136432 |
| FlexElite Leader Cable, 30 m (100 ft), White, UL/CE                               | 108-000085-13 | 912400136433 |
| FlexElite Leader Cable, 60 m (200 ft), White, UL/CE                               | 108-000085-14 | 912400136434 |
| FlexElite Jumper Cable, 305 mm (1 ft), White, UL/CE                               | 108-000085-15 | 912400136435 |
| FlexElite Jumper Cable, 500 mm (1.7 ft), White, UL/CE                             | 108-000085-16 | 912400136436 |
| FlexElite Jumper Cable, 610 mm (2 ft), White, UL/CE                               | 108-000085-17 | 912400136437 |
| FlexElite Jumper Cable, 1 m (3.3 ft), White, UL/CE                                | 108-000085-18 | 912400136438 |
| FlexElite Jumper Cable, 1.5 m (5 ft), White, UL/CE                                | 108-000085-19 | 912400136439 |
| FlexElite Jumper Cable, 2 m (6.6 ft), White, UL/CE                                | 108-000085-20 | 912400136440 |
| FlexElite Jumper Cable, 3 m (10 ft), White, UL/CE                                 | 108-000085-21 | 912400136441 |
| FlexElite Dome Lens, Black, 10 pieces   | 120-000204-02 | 912400136444 |
| FlexElite Dome Lens, White, 10 pieces   | 120-000204-03 | 912400136445 |
| FlexElite Single Node Mounting Clip, Black, 10 pieces                             | 120-000204-00 | 912400136442 |
| FlexElite Single Node Mounting Clip, White, 10 pieces                             | 120-000204-01 | 912400136443 |
| <b>Power/Data Supplies</b>  |               |              |
| PDS-400 48V CA4, UL   | 109-000035-00 | 912400135914 |
| PDS-400 48V CA4, CE   | 109-000035-01 | 912400136495 |
| CM-550 48V CA4, Ethernet, IP00, DIN, 48 V power supply must be ordered separately | 109-000038-00 | 912400136904 |
| CM-550 48V CA4, Ethernet, IP66, 48 V power supply must be ordered separately      | 109-000039-00 | 912400136906 |

© 2020 Signify Holding. All rights reserved. The information provided herein is subject to change, without notice. Signify does not give any representation or warranty as to the accuracy or completeness of the information included herein and shall not be liable for any action in reliance thereon. The information presented in this document is not intended as any commercial offer and does not form part of any quotation or contract, unless otherwise agreed by Signify.

All trademarks are owned by Signify Holding or their respective owners.

Cover photography credits: **egon69**



[www.colorkinetics.com](http://www.colorkinetics.com)