

# PHILIPS

On/Off Switch &  
Electronic

UID8600



max  
35°C  
min  
0°C

IP20

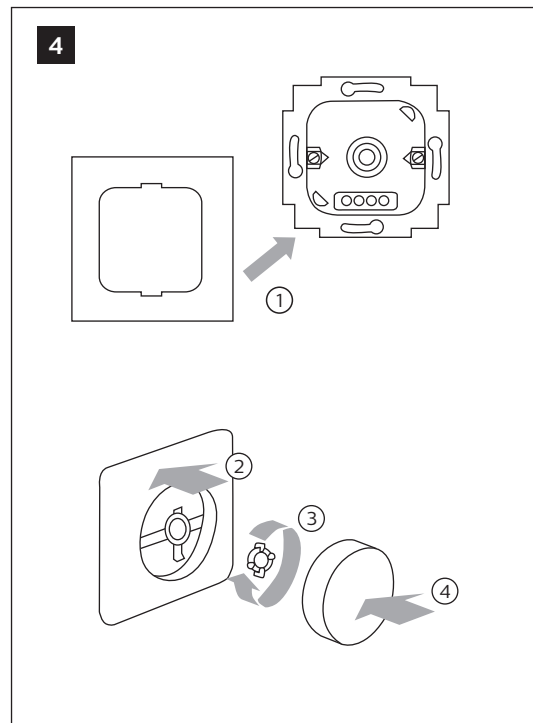
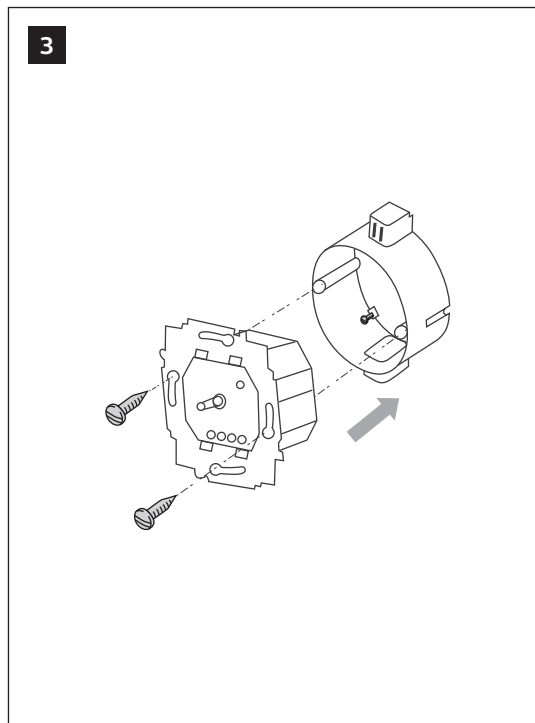
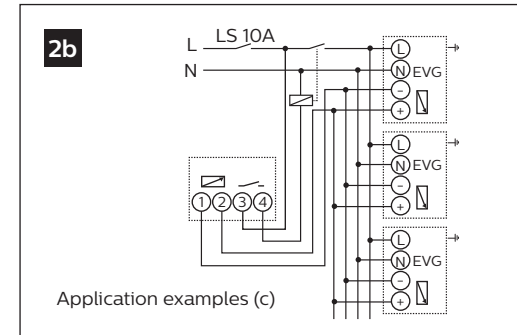
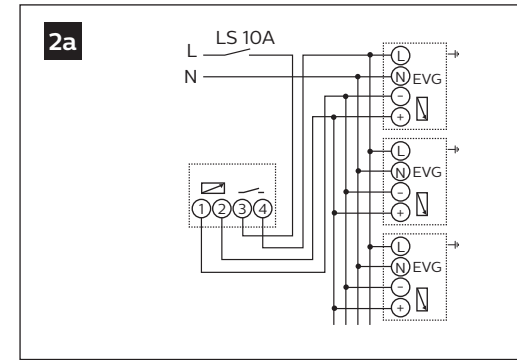
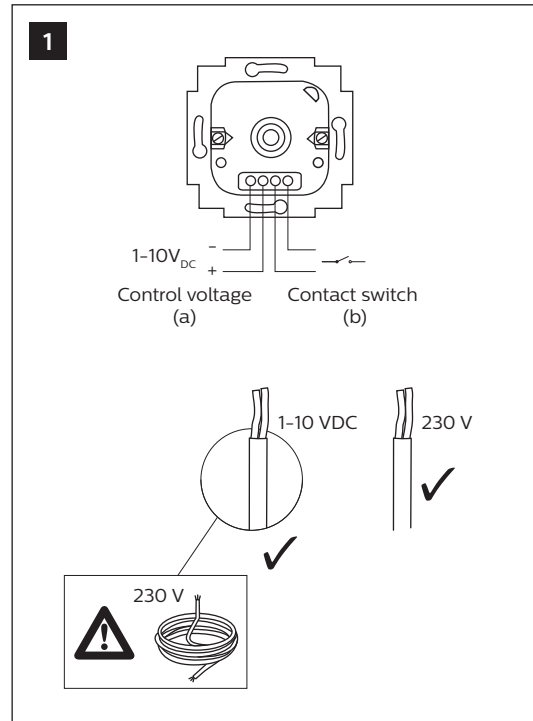
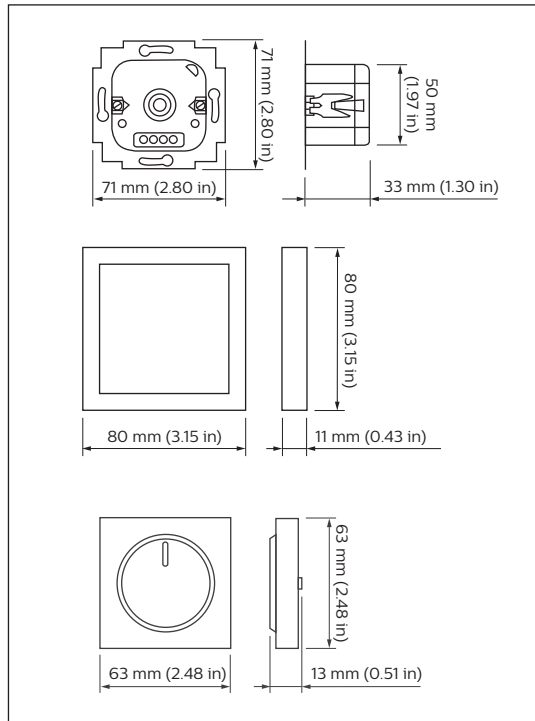
3222 636 43302  
4 February 2019

[www.philips.com/lighting](http://www.philips.com/lighting)



© 2019 Signify Holding. All rights reserved.  
Specifications are subject to change without notice.  
No representation or warranty as to the accuracy or  
completeness of the information included herein  
is given and any liability for any action in reliance  
thereon is disclaimed. Philips and the Philips Shield  
Emblem are registered trademarks of Koninklijke  
Philips N.V. All other trademarks are owned by Signify  
Holding or their respective owners.  
3222 636 43302

4 February 2019



### Technical data

Supply	230 Vac ±10%, 50 to 60 Hz
Dimming power	700 VA
Overall size (l x w x h)	80.0 x 80.0 x 58.0 mm
Control voltage	1 to 10 Vdc
Control current	IMA x 50 mA
Switching current	4A
Inrush current	≤ 100 A / 10 m s