

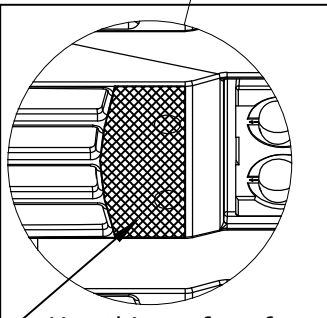
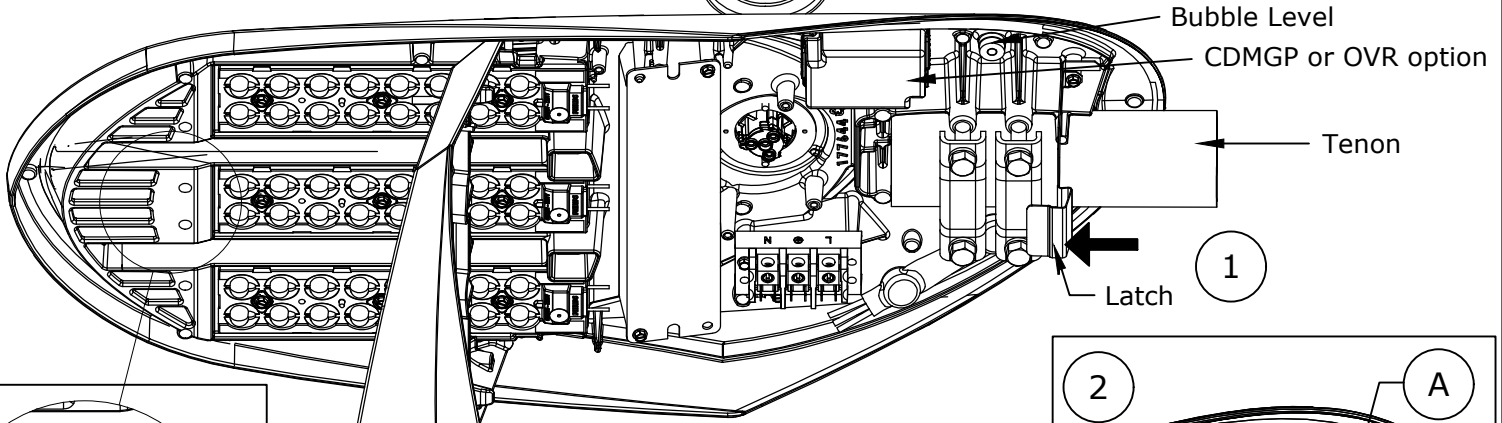
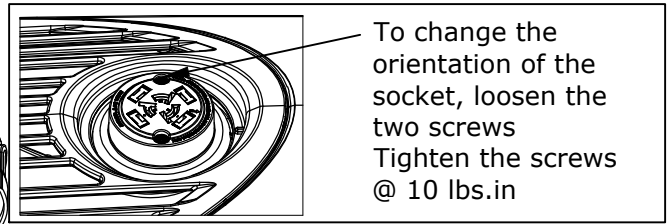
READ THESE INSTRUCTIONS CAREFULLY BEFORE INSTALLING THIS FIXTURE

CAUTION: THE ELECTRICAL POWER MUST BE DISCONNECTED BEFORE OPENING THE FIXTURE FAILURE TO FOLLOW THE INSTALLATION DOCUMENTATION OR OPERATING THIS PRODUCT OTHERWISE THAN FOR ITS INTENDED USE VOIDS THE WARRANTY

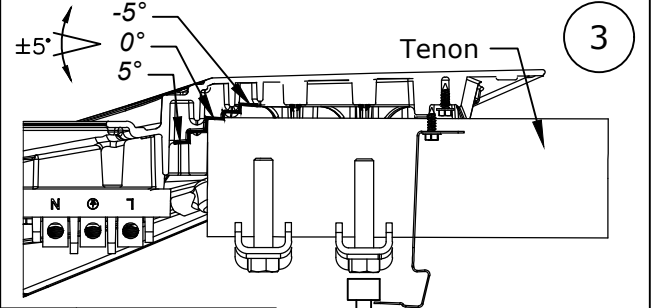
NOTE:
 GPLS model shown
 GPLM instalation procedure is identical

1. Push the latch to release the access door
2. Before sliding the fixture onto the tenon, install the right diameter bird guard if the tenon diameter is $\varnothing 1.9"$ or $\varnothing 1.66"$
 See the important note below
3. Disconnect power and slide the fixture onto the tenon
 Horizontal angle can be adjusted in 2.5° steps

A shorting cap, photo control or other compatible device must be installed



Luminaire is already equipped with a bubble level in the housing



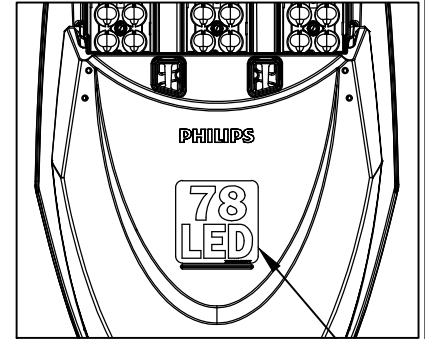
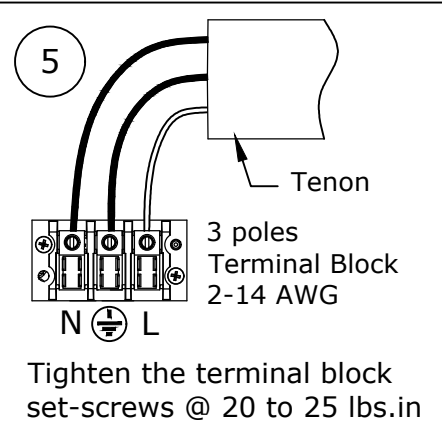
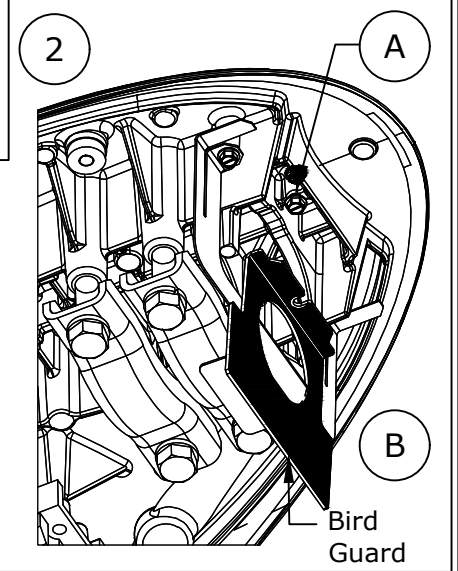
ANGLE	PENETRATION (Inch)	
	GPLS	GPLM
-5°	6.13	6.5
-2.5°	6.5	6.75
0°	6.75	7.13
2.5°	7.25	7.5
5°	7.75	7.88

Tighten the 4 bolts @ 135 lbs.in (11.25 lbs.ft)

IMPORTANT: Two bird guards are supplied with the luminaire: for $\varnothing 1.9"$ and for $\varnothing 1.66"$ tenons

- A) Loosen the screw
- B) Install the bird guard
 Tighten the screw

FAILURE TO DO SO VOIDS THE WARRANTY (does not apply for $\varnothing 2.38$ tenons)



If required, apply the supplied sticker

4. Evenly tighten the 4 bolts of the 2 brackets
5. Connect the service leads to the terminal block

DESIGNER:	DATE:	TITRE/TITLE: GPLM_G2 GPLS_G2	
VERIF./INSPEC.:	DATE:	FEUILLE/ SHEET:	NO DESSIN/ DRAWING #: 5013276101
		REV.: 1	

