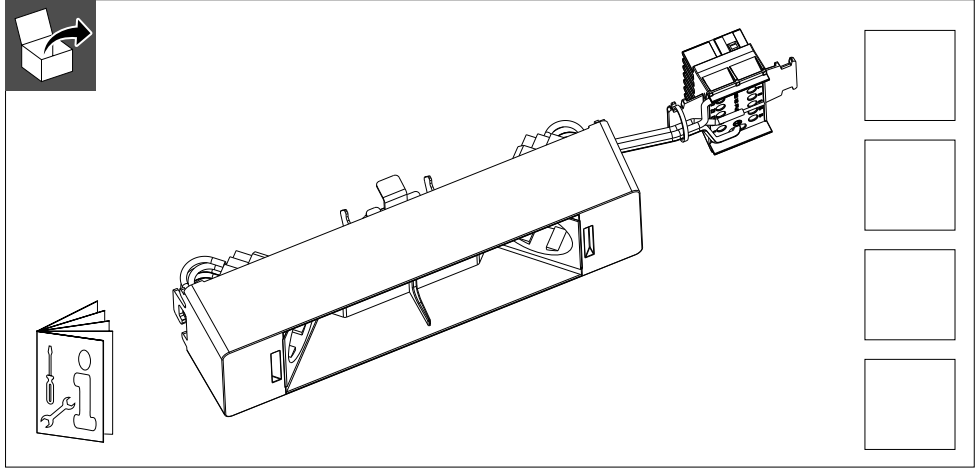


PHILIPS

Maxos Fusion

LL500Z MOD



50Hz
60Hz

220V
240V



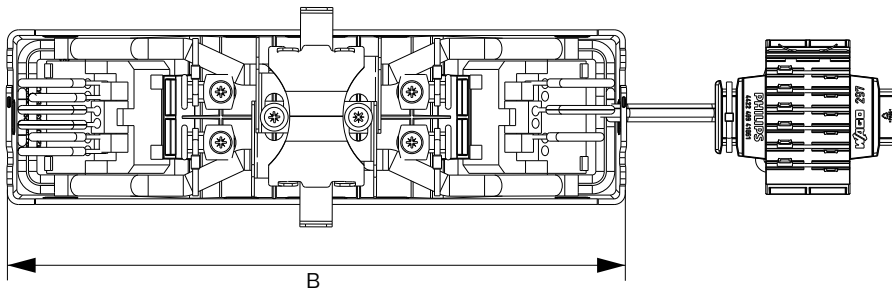
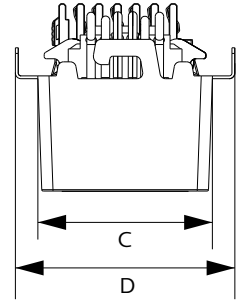
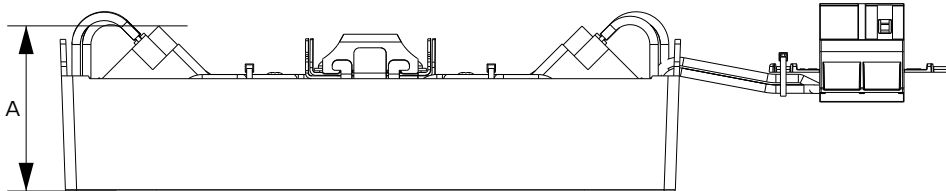
IP20

IK02

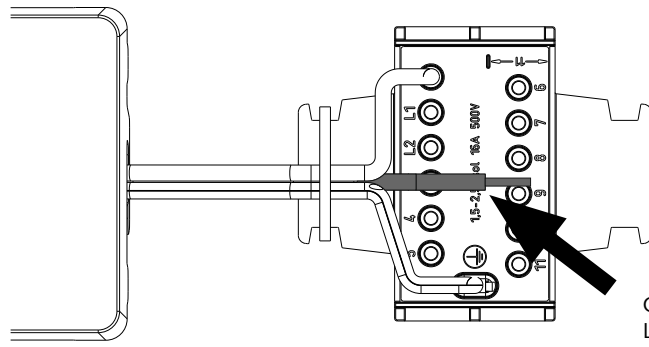
Max. 35°C
Min. -20°C



LL500Z	MOD-FR	WH	A(mm)	B(mm)	C(mm)	D(mm)	kg	I _{max} (A)
	MOD-DE	SI	57	220	62	78	0.8	16
	MOD-UK	BK	54	220	62	78	0.8	13

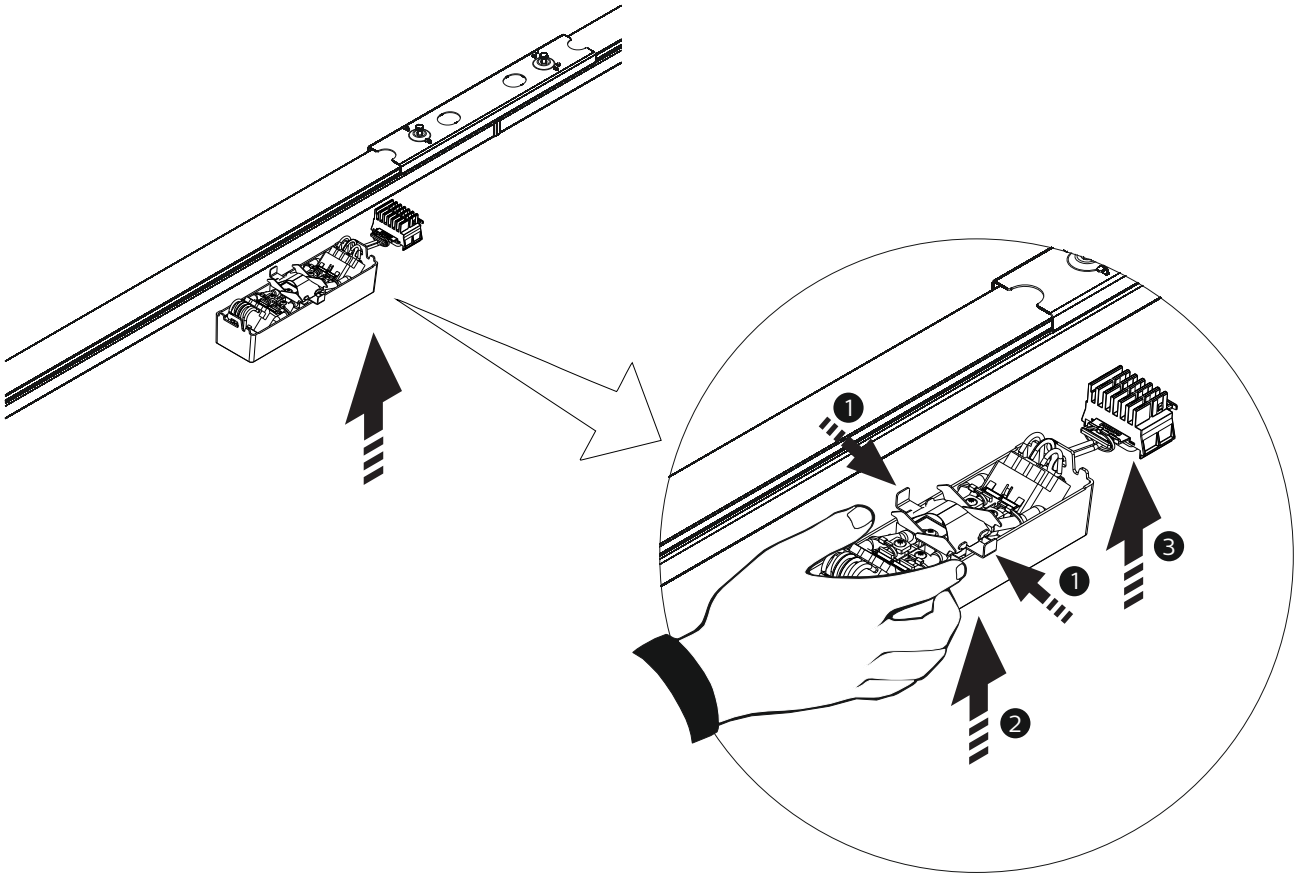


Phase selection

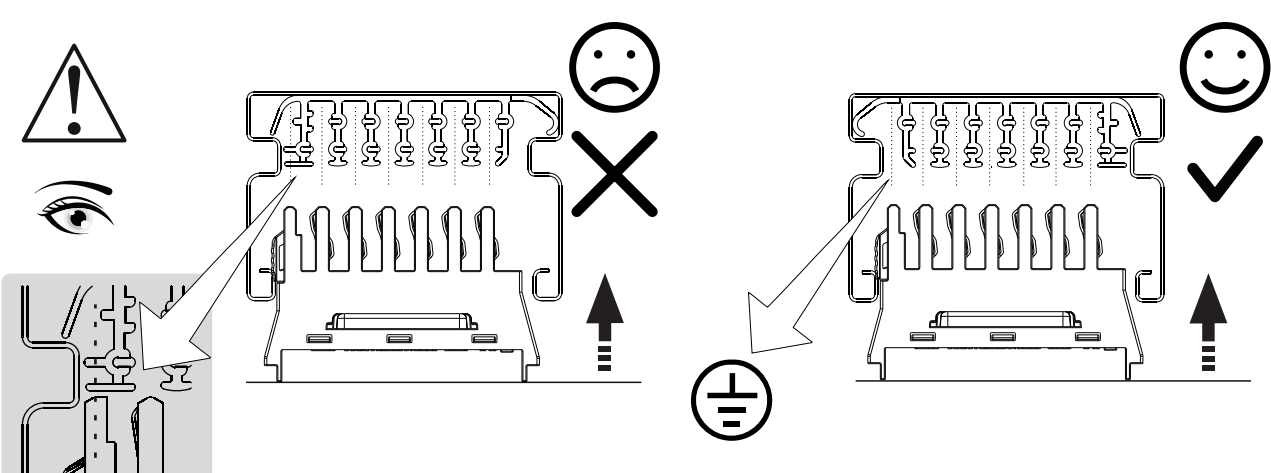


Connect to
L1, L2 or L3

1



2



3