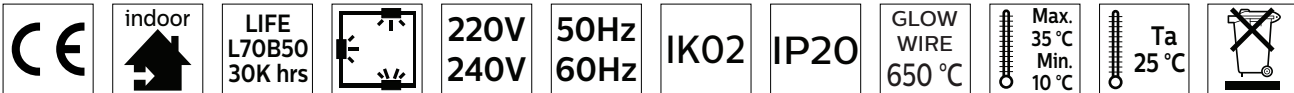
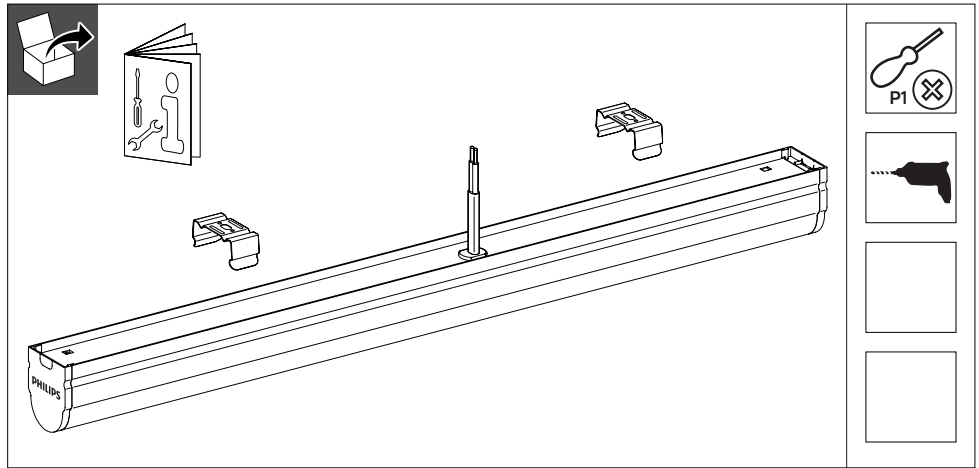



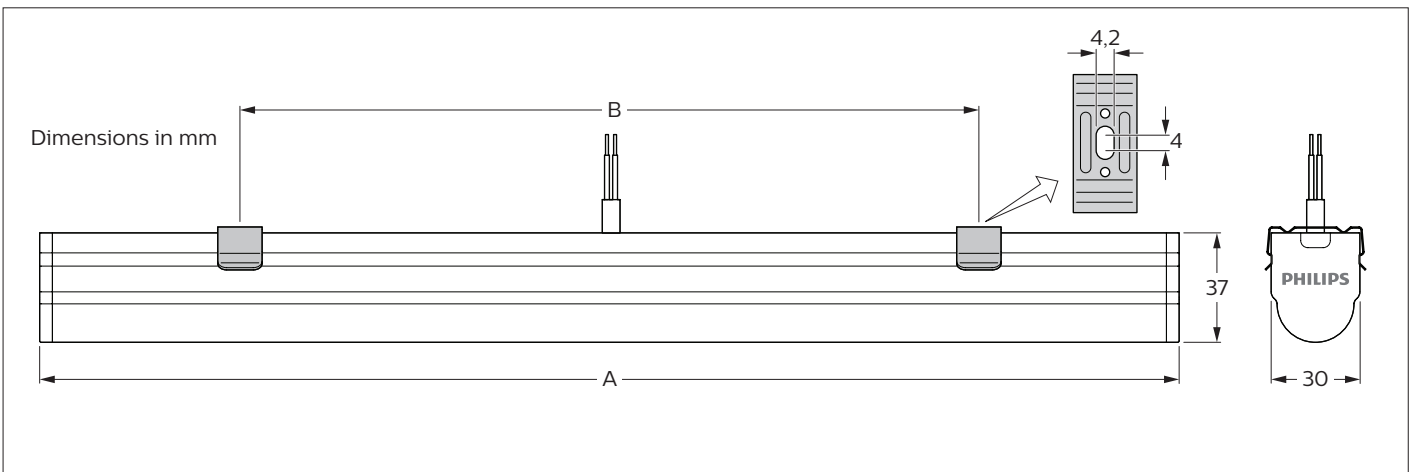
# PHILIPS

## Ledinaire Batten

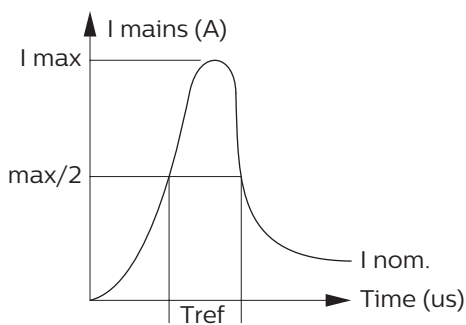
BN012C




	System lumen (lm)	CCT (K)	P (W)	A (mm)	B (mm)	
BN012C LED20/840 L1200 G2	2000	4000	20	1200	600-800	0.20
BN012C LED10/840 L600 G2	1000		10	600	300-500	0.12

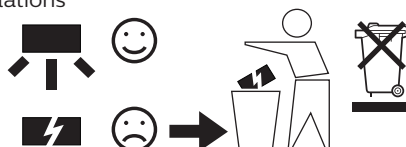


### Inrush current



	20W	10W
Electrical characteristics		
I <sub>max</sub> (A)	6.75	6.23
T <sub>ref</sub> (μs)	50.7	44.2

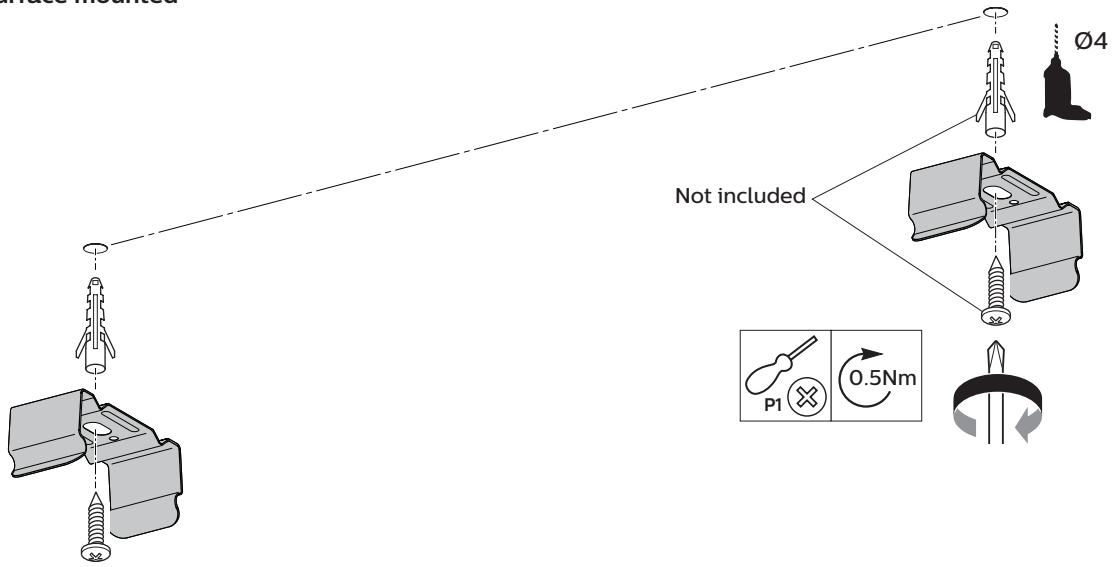
-  - The luminaire shall be installed by a qualified electrician and wired in accordance with the latest IEE electrical regulations or the national requirements.
- LED board & led driver are not serviceable and not replaceable.



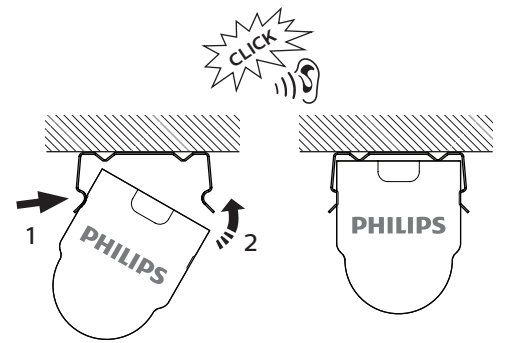
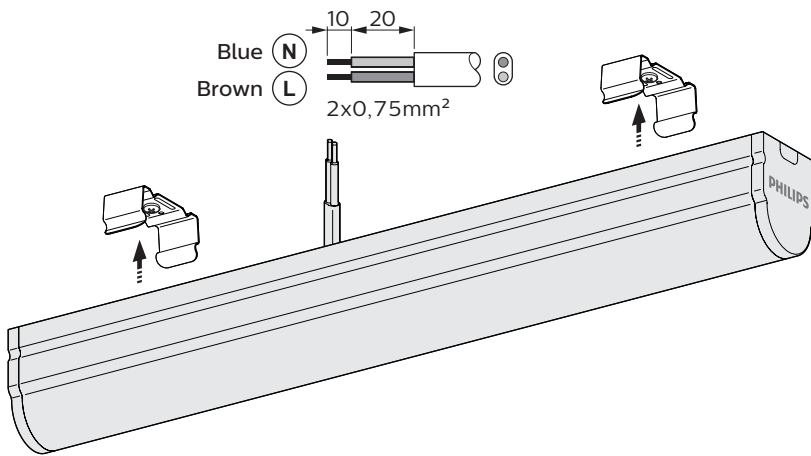
**ATTENTION**  
OBSERVE PRECAUTIONS  
FOR HANDLING  
ELECTROSTATIC  
SENSITIVE  
DEVICES



Surface mounted



1



2