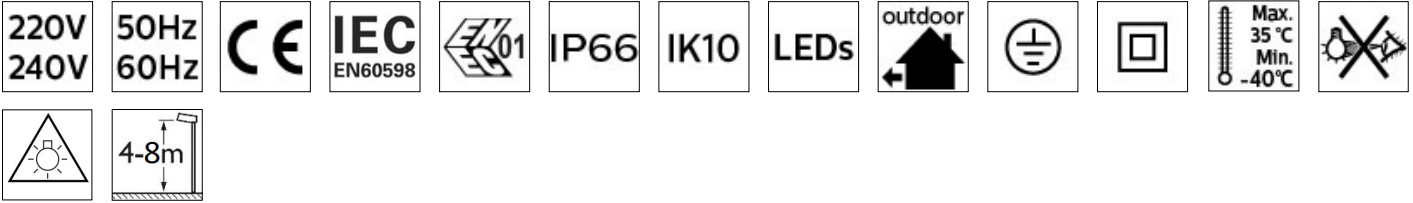


# PHILIPS

## TownTune Central Post-Top





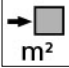

BDP260/261/262/263



Standard luminaire housing BDP260 is IK10. Added accessories are rated at IK08.  
As accessories are not a structural part of the luminaire housing, the IK rating for the luminaire housing remains IK10.

Photobiological Risk	RG1 (valid for Neutral and Warm White)
Luminaire Surge Protection	DM/CM 6/8 kV (C-I/C-II)
Luminaire Surge Protection with SPD *optional	DM/CM 10/10 kV (C-I) - 10/8 kV (C-II) - 10/10 kV (C-II) (optional ground for installer)

			LEDs	W +/-10%	Source +/-7%				
			LED14	12	10	1400			
			LED16	12	11	1600			
			LED18	12	12	1800			
			LED20	12	13	2000			
			LED22	12	14	2200			
			LED24	12	16	2400			
			LED27	12	18	2700			
			LED30	12	20	3000			
			LED35	12	24	3500			
			LED39	12	27	3900			
740			LED45	20	29	4500	✓	✓	
			LED50	20	32	5000			0,042
			LED55	20	35	5600			6,8kg*
			LED59	20	38	6000			
			LED64	20	42	6400			
			LED69	40	41	7000			
			LED74	40	44	7400			
			LED79	40	47	8000			
			LED84	40	50	8400			
			LED90	40	53	9000			
			LED94	40	56	9400			
			LED100	40	60	10000			

			<b>LEDs</b>	<b>W</b> +/-10%	<b>Source</b> +/-7%				
			LED12	12	10				
			LED14	12	12				
			LED16	12	13				
			LED18	12	15				
			LED20	12	16				
			LED22	12	18				
			LED24	12	20				
			LED27	12	22				
			LED30	12	25				
830			LED35	20	28	✓	✓	0,042	6,8kg*
			LED39	20	31				
			LED45	20	36				
			LED50	20	40				
			LED55	40	40				
			LED59	40	43				
			LED64	40	47				
			LED69	40	51				
			LED74	40	55				
			LED79	40	59				

Surface to the wind (m²) without embellishment accessories

\* Weight without mounting devices

Weight of decorative ring 0,6 kg

Weight of top accessory cone 1,1 kg

Weight of top accessory dome 0,8 kg

**Temperature protection:**

The LED drivers have temperature protection circuits to switch off the output when the device gets too warm.

Power will return automatically when the temperature has dropped again.

**Remark:**

Photometric data will be provided upon customer request.

 **WARNING**

This luminaire must be installed only by qualified personnel.  
If the external flexible cable or cord of this luminaire is damaged, it shall be exclusively replaced by the manufacturer or his service agent or a similar qualified person in order to avoid a hazard.

The light source contained in this luminaire shall only be replaced by the manufacturer or his service agent or a similar qualified person



Disconnect before servicing



Use gloves to manipulate the luminaire



The space between lyre and luminaire could be a pinch point  
Keep hands clear during operation.



Free rotation of the lyre can cause damage in painted parts



Follow this mounting instructions to fix install and maintain

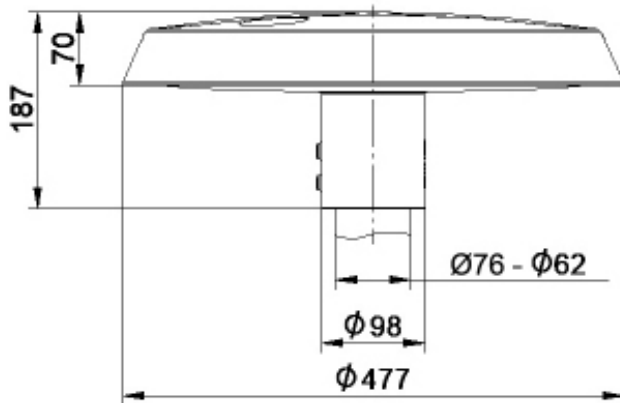


Never modify the luminaire or the fixations

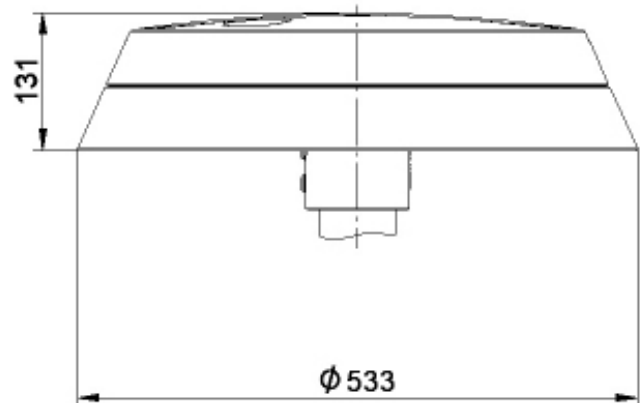


Risk of accident due to incorrect tightening torque

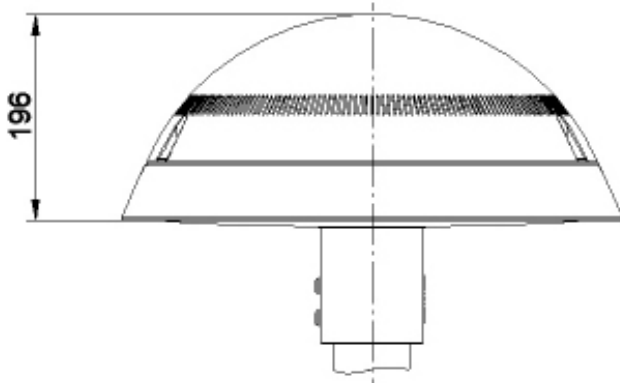
TOWNTUNE CENTRAL POST-TOP  
(Wind surface  $0,042\text{m}^2$  /  $\text{SCx } 0,033\text{m}^2$ )



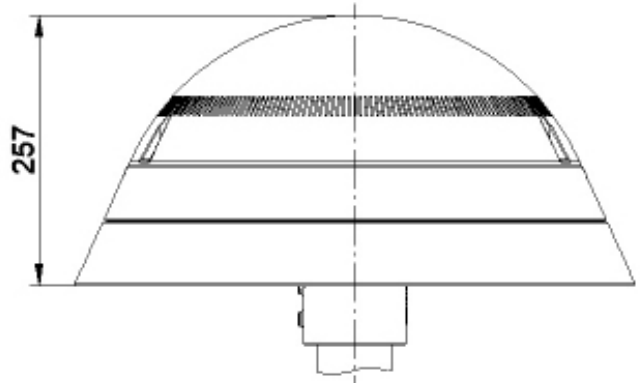
TOWNTUNE CENTRAL POST-TOP DR  
(Wind surface  $0,066\text{m}^2$  /  $\text{SCx } 0,036\text{m}^2$ )



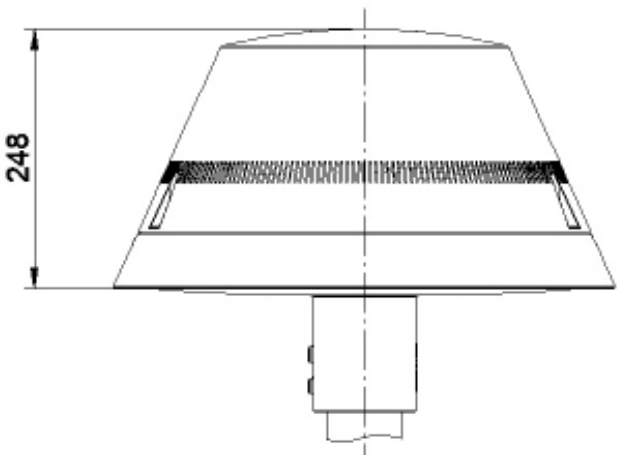
TOWNTUNE CENTRAL POST-TOP DTD  
(Wind surface  $0,082\text{m}^2$  /  $\text{SCx } 0,039\text{m}^2$ )



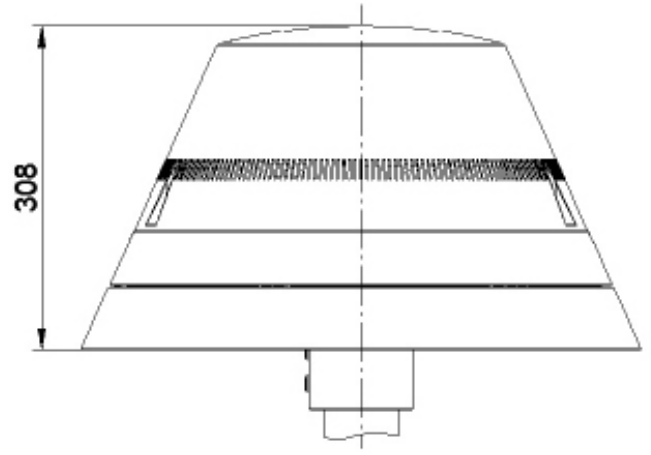
TOWNTUNE CENTRAL POST-TOP DR DTD  
(Wind surface  $0,11\text{m}^2$  /  $\text{SCx } 0,057\text{m}^2$ )

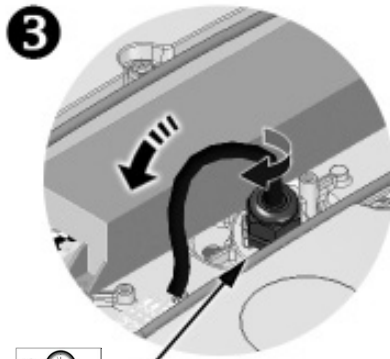
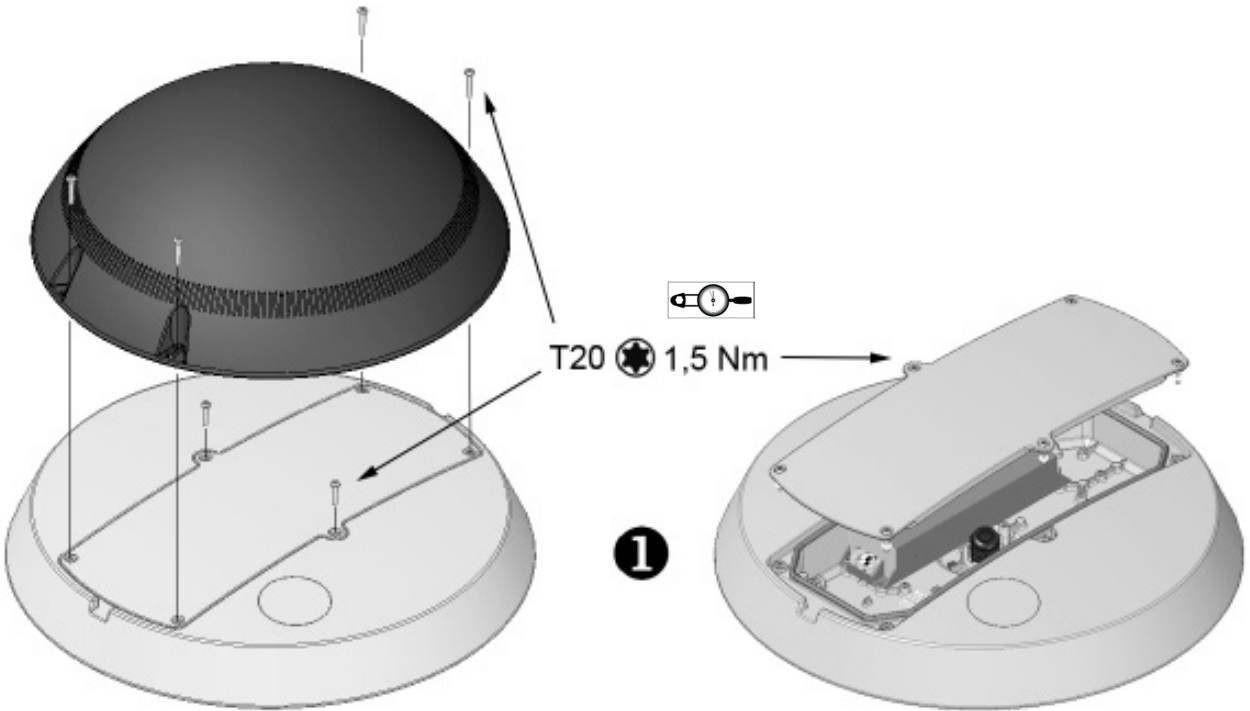


TOWNTUNE CENTRAL POST-TOP DTC  
(Wind surface  $0,11\text{m}^2$  /  $\text{SCx } 0,052\text{m}^2$ )



TOWNTUNE CENTRAL POST-TOP DR DTC  
(Wind surface  $0,13\text{m}^2$  /  $\text{SCx } 0,071\text{m}^2$ )

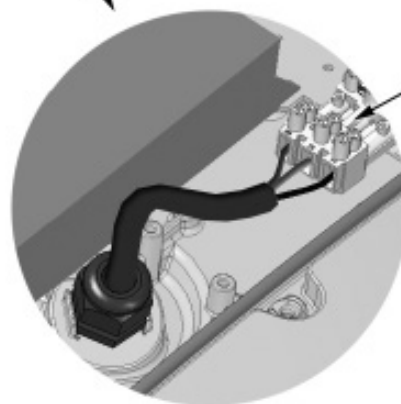
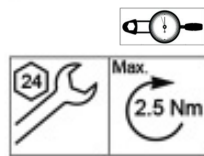




always connect to upper terminals of the connector

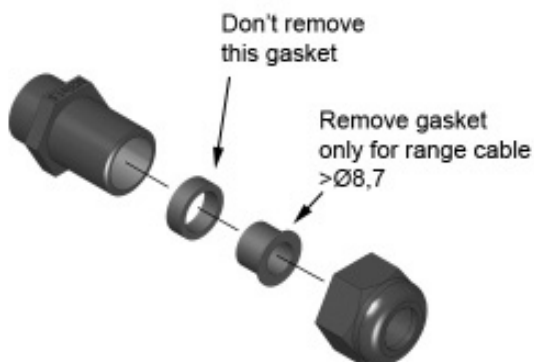


STANDARD VERSION



LC05 VERSION

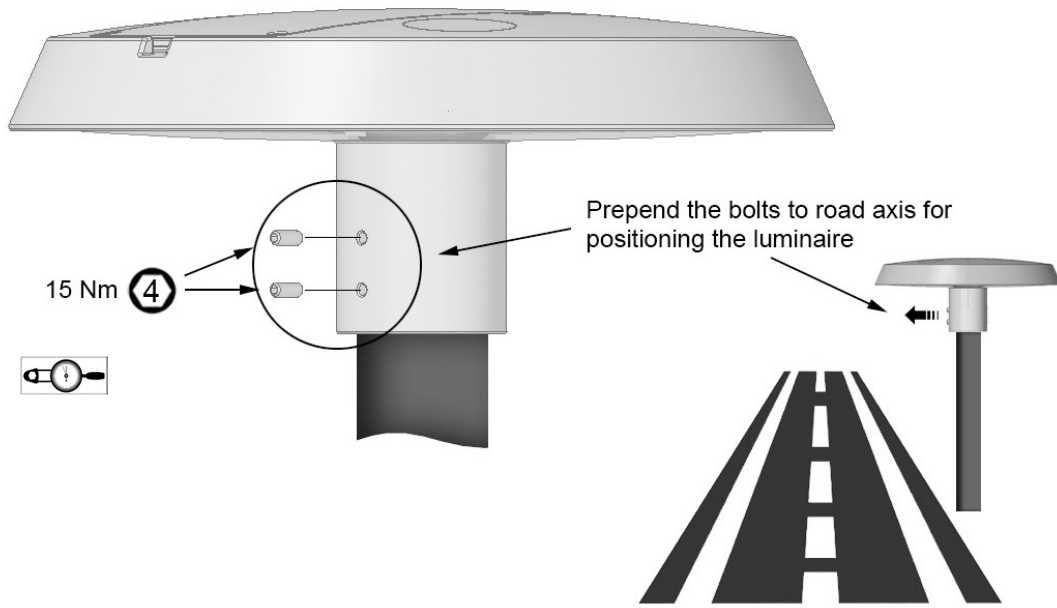
4x0,8 mm  
Min. 0,8 Nm



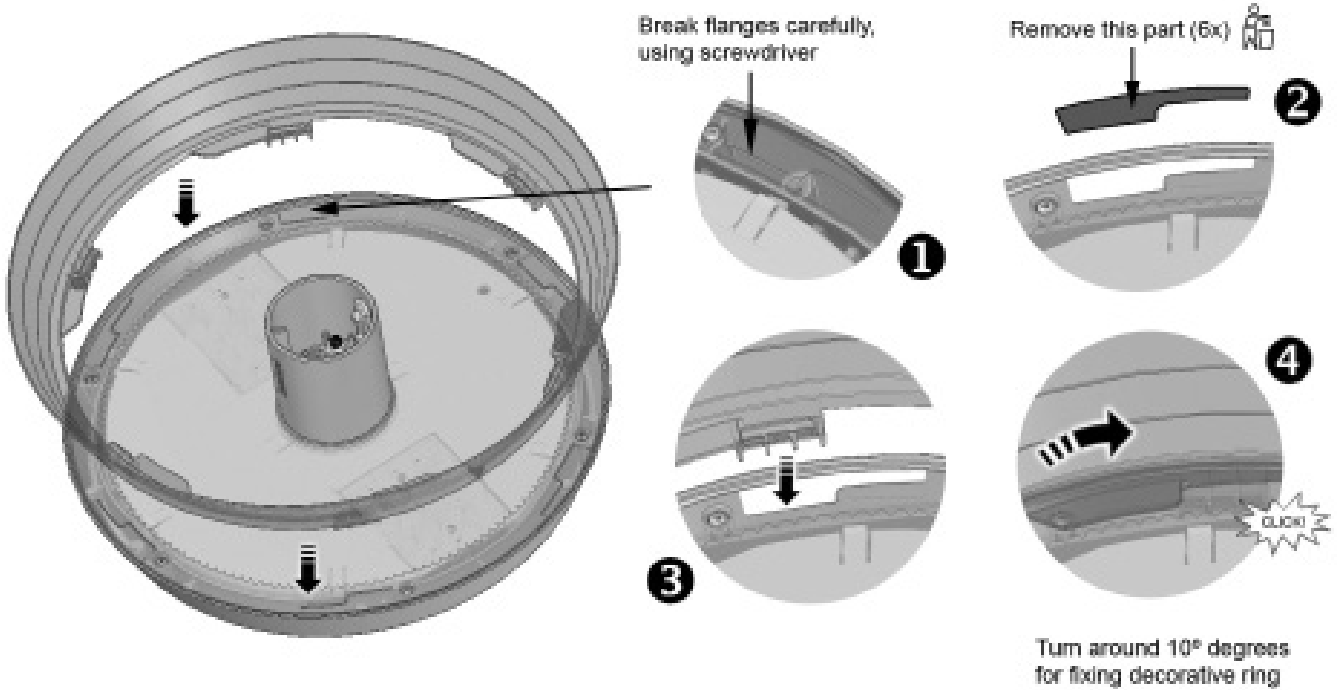
**i** Allowed cable range Ø5-Ø8,7-Ø12 mm



## SPIGOT FIXATION



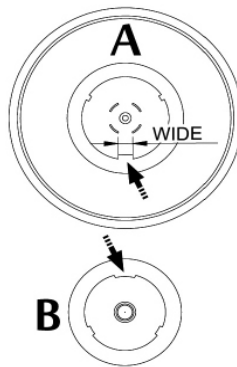
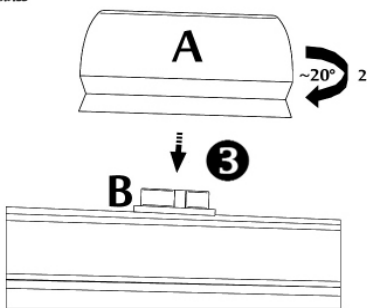
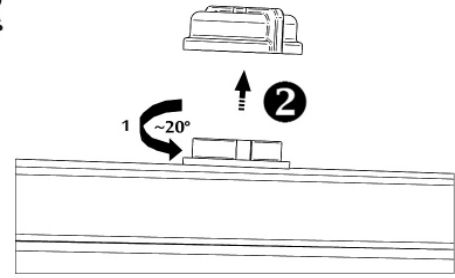
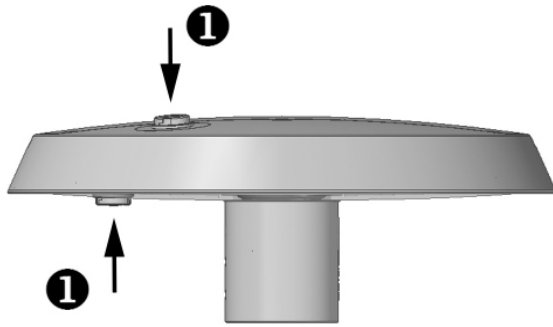
## DECORATIVE RING FIXATION



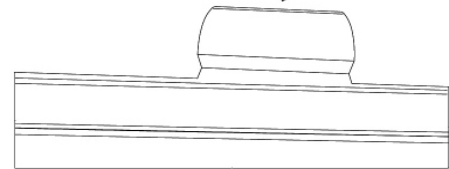


# MOUNTING OF PHOTOCELLS

## Citytouch OLC COM SR

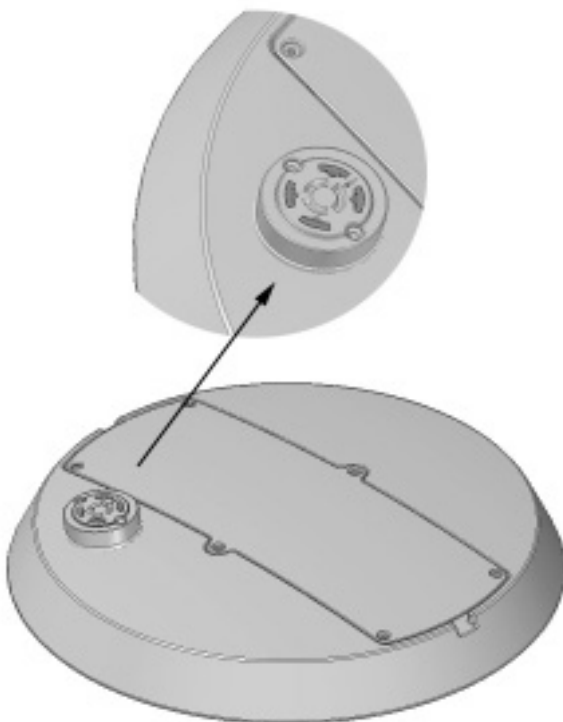


~~X~~ check power  
 ✓ green LED



1

## Citytouch OLC NEMA SR



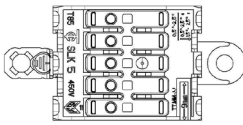
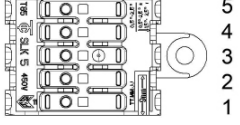

1. Push Downward 2. Twist Clockwise Lock



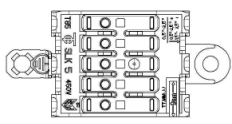
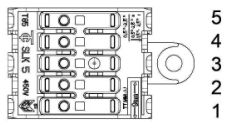

2

## TYPES OF MAIN CONNECTION (STANDARD VERSION)

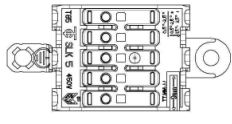
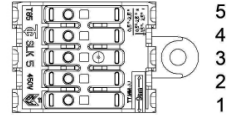

### (PSU) (PSA) (PSDD) CONNECTION

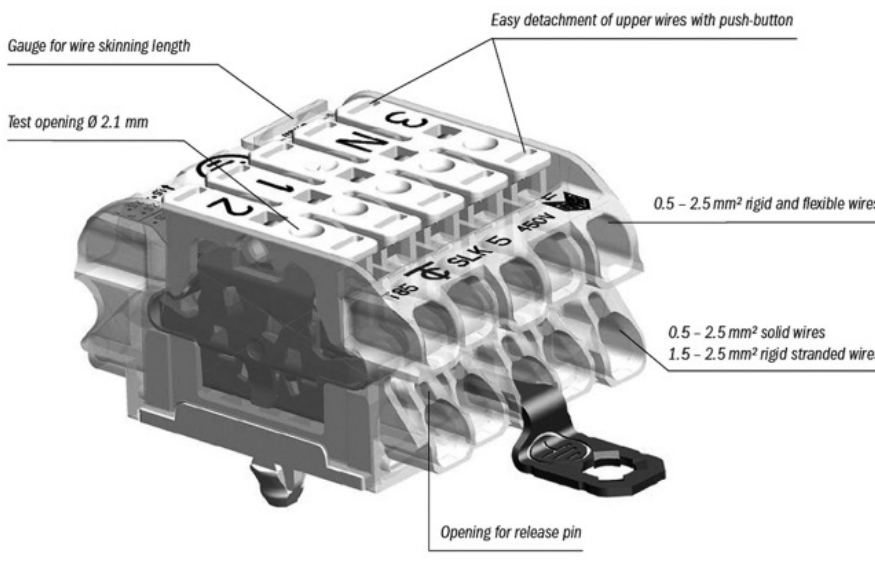
Class-I		Class-II			
	3	LINE (Brown)		1	LINE (Brown)
	N	NEUTRAL (Blue)		2	NEUTRAL (Blue)
		GROUND (Yellow & Green)		3	(Optional for installer) GROUND
	1	-		4	-
	2	-		5	-


### (PSD) CONNECTION

Class-I		Class-II			
	3	LINE (Brown)		1	LINE (Brown)
	N	NEUTRAL (Blue)		2	NEUTRAL (Blue)
		GROUND (Yellow & Green)		3	(Optional for installer) GROUND
	1	DALI		4	DALI
	2	DALI		5	DALI


### (PSR) CONNECTION

Class-I		Class-II			
	3	LINE (Brown)		1	LINE (Brown)
	N	NEUTRAL (Blue)		2	NEUTRAL (Blue)
		GROUND (Yellow & Green)		3	(Optional for installer) GROUND
	1	-		4	-
	2	Lineswitch		5	Lineswitch



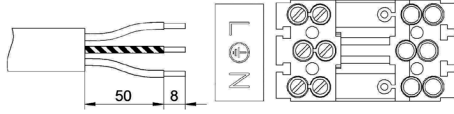
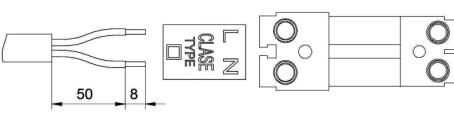

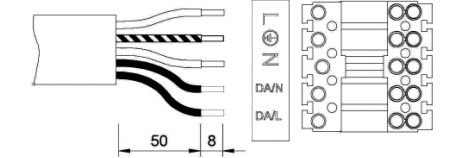
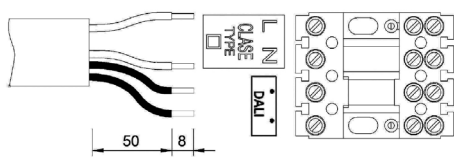

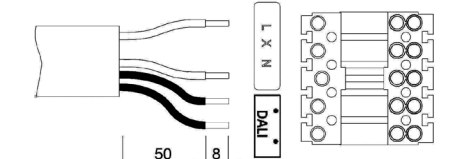
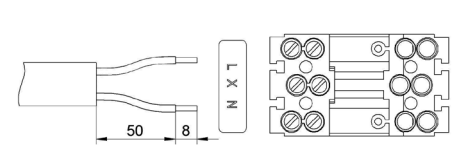
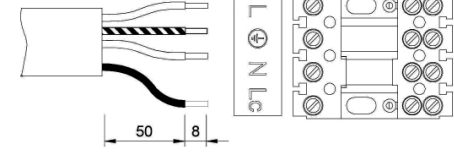
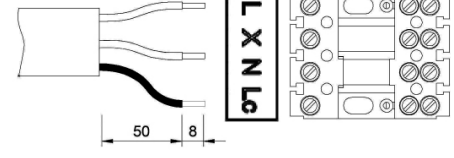

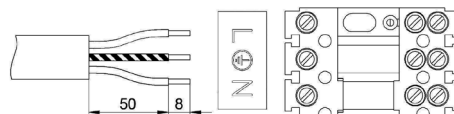
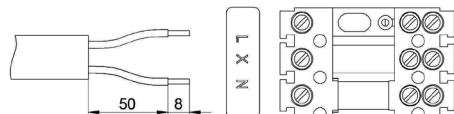



**Nominal voltage** 450 V  
**Nominal current** 24 A  
**Clamping range upper terminals** 0.5 - 2.5 mm<sup>2</sup> rigid and flexible wires  
detachment of wire with push-button  
**Clamping range lower terminals** 0.5 - 2.5 mm<sup>2</sup> solid wires,  
1.5 - 2.5 mm<sup>2</sup> rigid stranded wires,  
detachment of wire with release pin  
**Wire skinning length** 9 ± 1 mm



**Nominal voltage** 300 V  according to EN 60598-1  
**Nominal current** 24 A  
**Clamping range upper terminals** 0.5 - 2.5 mm<sup>2</sup> rigid and flexible wires  
detachment of wire with push-button  
**Clamping range lower terminals** 0.5 - 2.5 mm<sup>2</sup> solid wires,  
1.5 - 2.5 mm<sup>2</sup> rigid stranded wires,  
detachment of wire with release pin  
**Wire skinning length** 9 ± 1 mm

## TYPES OF MAIN CONNECTION (LC05 VERSION)

(PSU) (PSA) (PSDD) CONNECTION							
Class-I			Class-II				
	L	LINE (Brown)		L	LINE (Brown)		
		GROUND (Yellow & Green)		N	NEUTRAL (Blue)	N	NEUTRAL (Blue)
	N	NEUTRAL (Blue)		-	-	-	-
(PSD) CONNECTION							
Class-I			Class-II				
	L	LINE (Brown)		L	LINE (Brown)		
		GROUND (Yellow & Green)		N	NEUTRAL (Blue)	N	NEUTRAL (Blue)
	N	NEUTRAL (Blue)		DA/L	DALI	DA	DALI
	DA/L	DALI		DA/N	DALI	DA	DALI
	DA/N	DALI		-	-	-	-
(PSD) CONNECTION (with Surge Protection)			(PSU) (PSA) (PSDD) CONNECTION (with Surge Protection)				
Class-II							
	L	LINE (Brown)		L	LINE (Brown)		
	X	(Optional for installer) GROUND		X	(Optional for installer) GROUND		
	N	NEUTRAL (Blue)		N	NEUTRAL (Blue)		
	DA	DALI		-	-		
	DA	DALI		-	-		
(PSR) CONNECTION							
Class-I			Class-II				
	L	LINE (Brown)		L	LINE (Brown)		
		GROUND (Yellow & Green)		X	(Optional for installer) GROUND		
	N	NEUTRAL (Blue)		N	NEUTRAL (Blue)		
	Lc	LineSwitch		Lc	LineSwitch		
(PHOTOCELL) CONNECTION							
Class-I			Class-II				
	L	LINE (Brown)		L	LINE (Brown)		
		GROUND (Yellow & Green)		X	(Optional for installer) GROUND		
	N	NEUTRAL (Blue)		N	NEUTRAL (Blue)		



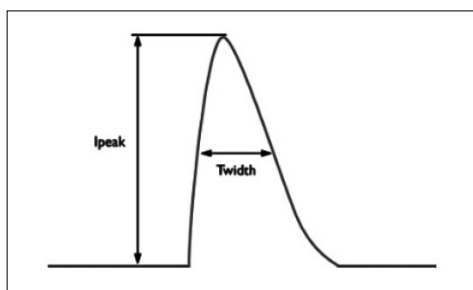


	Full Prog	Coded Mains	System Ready
The maximum number of luminaires with driver 40W to be connected in MCB 16A TYPE B (mains impedance 200 mΩ + 400 μH)	20	20	21
Inrush current Ipeak*	22 A	22 A	21 A
Inrush current Twidth **	290 μs	290 μs	300 μs

\* input voltage 230V  
\*\* input voltage 230V, measured at 50% Ipeak

	Full Prog	Coded Mains	System Ready
The maximum number of luminaires with driver 75W to be connected in MCB 16A TYPE B (mains impedance 200 mΩ + 400 μH)	11	11	6
Inrush current Ipeak*	65 A	65 A	21 A
Inrush current Twidth **	330 μs	330 μs	300 μs

\* input voltage 230V  
\*\* input voltage 230V, measured at 50% Ipeak



## CLEANING

The luminaire is protected against water ingress to IP66. Sealed design ensures that this rating will be maintained over the full lifetime of the product.



The luminaire may be cleaned by brush with short&soft bristles.

Extra care must be taken when cleaning around the external cables and connector in order to prevent damage.

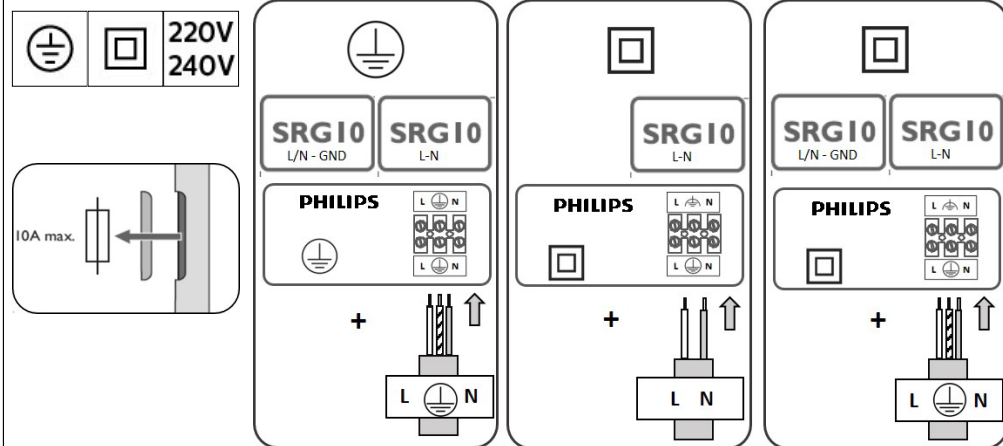


Do not use high pressure water jet or high pressure cleaners.

If clear water is not sufficient for cleaning, use a neutral, synthetic, not-scratching and non-abrasive substances.

Never use alkaline and/or acetous cleaning substances. Make sure that cleaning substance is fully removed by rinsing with clean water.

## SRG10 10 KV PROTECTION



10kV extra surge protection (SRG10) is ensuring Differential mode protection.

In class II:  
In order to also cover Common mode, PE (Protective Earth) connection to the SPD is to be added at installation. Surges due to discharge for electrostatic fields (ESD) are not covered when installed onto insulated material poles (to protect an equipotential connection is required between the metal housing of the luminaire and the earth; in that case it is better to use a Class I (luminaire).

## Have you already downloaded the Philips Service tag app?

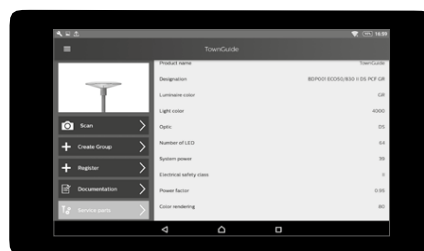
It helps you make LED maintenance easier and faster!

### 1. Download the app

App herunterladen

Descargar la app

Télécharger l'application



iOS



Android

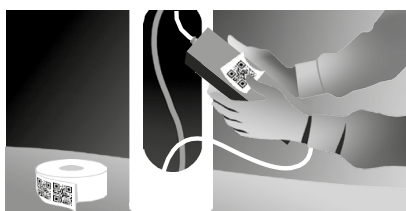


### 2. Place tag on the fuse box

Stelle den Tag auf den Sicherungskasten

Colocar la etiqueta en la caja de fusibles

Placer le tag sur le boîtier appareillage



### 3. Register the product

Produktregistrierung

Registrar el producto

Enregistrer le produit



### And also...

Und ebenso... Y también... Et aussi...



#### Mounting instructions

Montageanleitung

Instrucciones de montaje

Instructions de montage

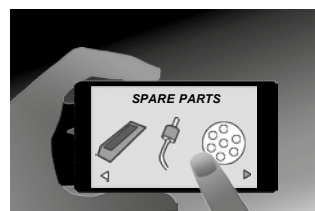


#### Troubleshooting

Problemebehebung

Resolución de problemas

Dépannage

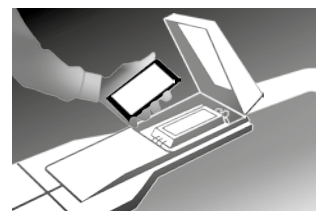


#### Spare parts list

Ersatzteilliste

Listado de repuestos

Liste des pièces de rechange



#### Driver re-programming

Treiber Neuprogrammierung

Reprogramación del driver

Reprogrammation du Driver

Want to know more about Service tag?  
Go to [www.philips.com/servicetag](http://www.philips.com/servicetag)

## Annex I : Simplified EU Declaration of Conformity

Hereby, **Philips Lighting B.V** declares that the radio equipment type included into the luminary is in compliance with Directive 2014/53/EU. The full text of the EU declaration of conformity is available at the following internet address : <http://www.lighting.philips.com/main/prof>

	Philips Lighting B.V
ES	Por la presente, declara que el tipo de equipo radioeléctrico es conforme con la Directiva 2014/53/UE. El texto completo de la declaración UE de conformidad está disponible en la dirección Internet siguiente: <a href="http://www.lighting.philips.com/main/prof">http://www.lighting.philips.com/main/prof</a>
EN	Hereby, declares that the radio equipment type is in compliance with Directive 2014/53/EU. The full text of the EU declaration of conformity is available at the following internet address: <a href="http://www.lighting.philips.com/main/prof">http://www.lighting.philips.com/main/prof</a>
FR	Le soussigné, déclare que l'équipement radioélectrique du type est conforme à la directive 2014/53/UE. Le texte complet de la déclaration UE de conformité est disponible à l'adresse internet suivante: <a href="http://www.lighting.philips.com/main/prof">http://www.lighting.philips.com/main/prof</a>
IT	Il fabbricante, dichiara che il tipo di apparecchiatura radio è conforme alla direttiva 2014/53/UE. Il testo completo della dichiarazione di conformità UE è disponibile al seguente indirizzo Internet: <a href="http://www.lighting.philips.com/main/prof">http://www.lighting.philips.com/main/prof</a>
DE	Hiermit erklärt dass der Funkanlagentyp der Richtlinie 2014/53/EU entspricht. Der vollständige Text der EU-Konformitätserklärung ist unter der folgenden Internetadresse verfügbar: <a href="http://www.lighting.philips.com/main/prof">http://www.lighting.philips.com/main/prof</a>
DA	Hermed erklærer, at radioudstyrstypen er i overensstemmelse med direktiv 2014/53/EU. EU-overensstemmelseserklæringens fulde tekst kan findes på følgende internetadresse: <a href="http://www.lighting.philips.com/main/prof">http://www.lighting.philips.com/main/prof</a>
NL	Hierbij verklaar ik, dat het type radioapparatuur conform is met Richtlijn 2014/53/EU. De volledige tekst van de EU-conformiteitsverklaring kan worden geraadpleegd op het volgende internetadres: <a href="http://www.lighting.philips.com/main/prof">http://www.lighting.philips.com/main/prof</a>
PL	niniejszym oświadczam, że typ urządzenia radiowego jest zgodny z dyrektywą 2014/53/UE. Pełny tekst deklaracji zgodności UE jest dostępny pod następującym adresem internetowym: <a href="http://www.lighting.philips.com/main/prof">http://www.lighting.philips.com/main/prof</a>
HU	igazolja, hogy a típusú rádióberendezés megfelel a 2014/53/EU irányelvnek. Az EU-megfelelőségi nyilatkozat teljes szövege elérhető a következő internetes címen: <a href="http://www.lighting.philips.com/main/prof">http://www.lighting.philips.com/main/prof</a>
CS	Tímto prohláŕuju, Ŕe typ rádiového zařizení je v souladu se smĎnicí 2014/53/EU. Úplné znĎní EU prohláŕení o shodĎ je k dispozici na této internetové adrese: <a href="http://www.lighting.philips.com/main/prof">http://www.lighting.philips.com/main/prof</a>
SL	potrjuje, da je tip radijske opreme skladen z Direktivo 2014/53/EU. Celotno besedilo izjave EU o skladnosti je na voljo na naslednjem spletnem naslovu: <a href="http://www.lighting.philips.com/main/prof">http://www.lighting.philips.com/main/prof</a>
LV	Ar ũo deklarĕ, ka radioiekārta atbilst Direktīvai 2014/53/ES. Pilns ES atbilstības deklarācijas teksts ir pieejams šādā interneta vietnĕ: <a href="http://www.lighting.philips.com/main/prof">http://www.lighting.philips.com/main/prof</a>
LT	Aſ, patvirtinu, kad radijo įrenginių tipas atitinka Direktyvą 2014/53/ES. Visas ES atitikties deklaracijos tekstas prieinamas ſiuo interneto adresu: <a href="http://www.lighting.philips.com/main/prof">http://www.lighting.philips.com/main/prof</a>
PT	O abaixo assinado declara que o presente tipo de equipamento de rádio está em conformidade com a Diretiva 2014/53/UE. O texto integral da declaração de conformidade está disponível no seguinte endereço de Internet: <a href="http://www.lighting.philips.com/main/prof">http://www.lighting.philips.com/main/prof</a>
SV	Härmed försäkrar att denna typ av radioutrustning överensstämmer med direktiv 2014/53/EU. Den fullständiga texten till EU-försäkran om överensstämmelse finns på följande webbadress: <a href="http://www.lighting.philips.com/main/prof">http://www.lighting.philips.com/main/prof</a>



© 2019 Signify Holding.

All rights reserved. This document contains information relating to the product portfolio of Signify which information may be subject to change. No representation or warranty as to the accuracy or completeness of the information included herein is given and any liability for any action in reliance thereon is disclaimed. The information presented in this document is not intended as any commercial offer and does not form part of any quotation or contract. Philips and the Philips Shield Emblem are registered trademarks of Koninklijke Philips N.V.. All other trademarks are owned by Signify Holding or their respective owners.

Signify Holding.