

# CHLORIDE

TruPath

Contemporary Nema 4X Combo

12 Volt LED Downlighting

Red or Green LED Illumination



## INSTALLATION AND OPERATING INSTRUCTIONS

### SAVE THESE INSTRUCTIONS

### IMPORTANT SAFEGUARDS

**IMPORTANT:** FOR YOUR PROTECTION, YOU MUST CAREFULLY READ ALL WARNINGS AND INSTRUCTIONS IN THEIR ENTIRETY PRIOR TO INSTALLATION, OPERATION, SERVICE OR MAINTENANCE. FAILURE TO DO SO CAN RESULT IN DEATH, PERSONAL INJURY AND PROPERTY DAMAGE. If you do not understand these warnings and instructions, or if additional information is desired, please contact Signify.

- Installation, service and maintenance of luminaires must be performed by a qualified professional and in accordance with all federal, state and local laws, regulations and electrical codes. This professional should be familiar with the construction and operation of this product and any hazards involved. If not qualified, do not attempt installation, service or maintenance.
- To reduce the risk of death, personal injury or property damage from fire, electric shock, falling parts, cuts, abrasions and other hazards, please read all warnings and instructions included with the luminaire, on the luminaire's packaging and affixed to the luminaire itself.
- Maintenance of the luminaires should be performed by person(s) familiar with the luminaire's construction and operation and any hazards involved.



#### WARNING

##### RISK OF FIRE, ELECTRIC SHOCK OR PERSONAL INJURY

- Disconnect or turn off power before attempting any installation, service or maintenance.
- Verify that supply voltage is correct by referencing the luminaire label information.
- Make all electrical and ground connections in accordance with the National Electrical Code (NEC) and any other applicable laws, regulations or codes.
- All wiring connections should be capped with UL-approved wire connectors.



#### WARNING

##### RISK OF PERSONAL INJURY

- Wear gloves and safety glasses at all times when removing luminaire from carton, installing, servicing or performing maintenance.
- Avoid direct eye exposure to the light source while it is on.



#### WARNING

##### RISK OF FIRE OR PERSONAL INJURY

- Keep combustible materials away from LED/lamp & lens
- Do not operate in close proximity to persons, combustible materials or substances affected by heat or drying.



#### WARNING

##### RISK OF FIRE, ELECTRIC SHOCK OR PERSONAL INJURY

- Allow LED/lamp & lens to cool before handling.
- Do not touch enclosure or light source
- Do not exceed maximum wattage marked on luminaire label.
- Follow all manufacturer's warnings, recommendations, instructions and restrictions for driver type, burning position, mounting locations and replacement.



#### CAUTION

##### RISK OF PRODUCT DAMAGE

- Never connect luminaires and/or components under load with supply voltage turned on.
- Equipment should be mounted in locations and at heights where it will not be readily subjected to tampering by unauthorized personnel.
- The use of accessory equipment not recommended by the manufacturer may cause an unsafe condition.
- Do not let supply cords touch hot surfaces.
- Do not mount near gas or electric heaters.
- Use caution when servicing batteries. Battery acid can cause burns to skin and eyes. If acid is spilled on skin or eyes, flush acid with fresh water and contact a physician immediately.
- CAUTION: To avoid electrical overload, total connected lamp load (factory and field installed) should not exceed output rating.

Signify North America Corporation  
200 Franklin Square Drive  
Somerset, NJ 08873, USA  
Phone: 855-486-2216

[www.chloride-lighting.com](http://www.chloride-lighting.com)

Signify Canada Ltd./Signify Canada Ltée. 281  
Hillmount Road,  
Markham, ON, Canada L6C 2S3  
Phone: 800-668-9008

443580484651 JULY 2018

# CHLORIDE

- To maintain warranty, equipment with batteries must be installed or placed on charge within prescribed period after shipment
- Do not mount or support these luminaires in a manner that can cut the outer jacket or damage wire insulation.
- Do not restrict fixture ventilation. Allow for some volume of airspace around luminaire. Avoid covering luminaire with insulation, foam or other material that will prevent convection or conduction cooling.
- Do not exceed luminaire maximum ambient temperature.
- Do not modify the luminaire.
- Only use luminaire in its intended application and location.
- LED products are polarity sensitive. Ensure proper polarity before installation.
- Electrostatic Discharge (ESD) can damage LED. Personal grounding equipment must be worn during all installation and servicing of the luminaire.
- Do not touch individual electrical components as this can cause ESD, shorten LED life, or impact LED performance.
- Some components inside the luminaire may not be serviceable. In the unlikely event your luminaire may require service, stop using it immediately.
- Always read the luminaire's complete installation instructions prior to installation for any additional luminaire specific warnings.
- In the case of HID or Fluorescent luminaires, regular re-lamping is required to keep luminaire operating within safe limits
- **Do not install damaged product.** Handling and installing damaged products can potentially increase the risks mentioned. In case of damage and/or missing parts upon arrival of the luminaire, please contact [Signify](#).
- These instructions do not purport to cover all details or variations in equipment nor to provide every possible contingency to meet in connection with installation, operation or maintenance. Should further information be desired or should particular problems arise which are not covered sufficiently for the purchaser's or owner's purposes, this matter should be referred to [Signify](#).
- Please see luminaire specific Installation and Maintenance Instruction for additional warnings or any applicable FCC or regulatory statements. Failure to follow any of these Instructions could void luminaire warranties.

#### **Luminaire Maintenance**

- Regular luminaire maintenance programs are recommended.
- It is recommended to clean the outside of the luminaire and the refractor/lens.
- Frequency of cleaning will depend on ambient dirt level and minimum light output which is acceptable to user.
- If clean water is not sufficient for cleaning, use a neutral, synthetic, not-scratching and not-abrasive cleaning substance.
- Never use alkaline and/or acetous cleaning substances.
- Make sure that the cleaning substance is carefully removed by rinsing with lots of clean water.
- Signify recommends using a cleaning solution that has a PH between 5 and 8.
- Recycle: For information on how to recycle electronic products and components, please visit [www.epa.gov](http://www.epa.gov)

## **General Instructions - Maximum Mounting Height 20'**

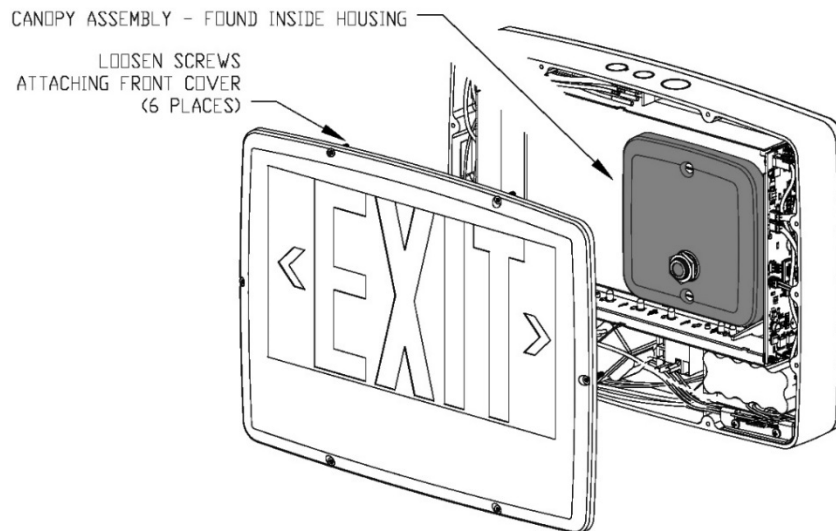


Figure 1

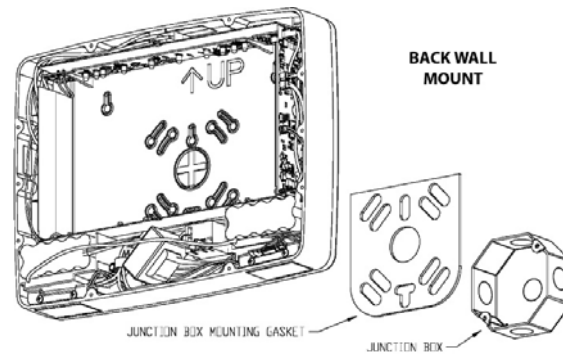
### **STEP 1**

Remove front cover by loosening the six screws that attach it to the housing (Screws are retained by o-rings. They do not have to be removed from the cover, just loosened.) Remove the magnet from the canopy assembly and save for testing the unit after installation.

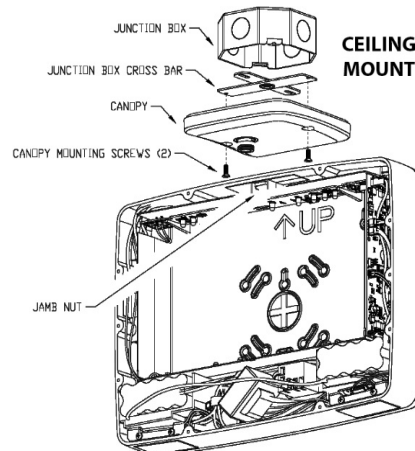
## STEP 2

Chose mounting orientation appropriate for your application (back wall mount, ceiling mount, side wall mount or pendant mount).

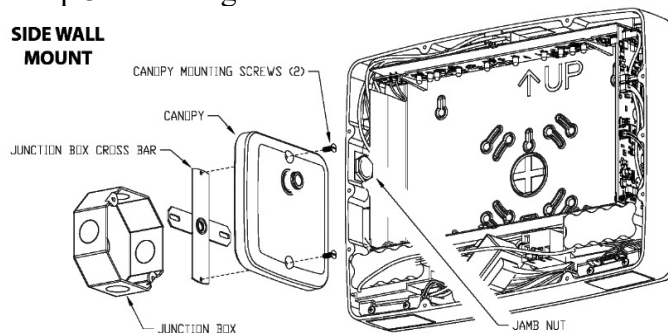
Figure 2



**Back Wall Mounting** – Discard canopy assembly. Remove appropriate keyhole knockouts for mounting backplate to junction box and large central knockout for pulling AC wiring. Alternatively, unit may be mounted to wall using keyhole knockouts and AC power may be supplied through conduit knockouts located on top or side of housing. Peel paper backing from supplied junction box mounting gasket and apply to back of backplate to seal this surface. Mounting exit to junction box and pull AC wiring. Refer to Step 3 for wiring instructions.

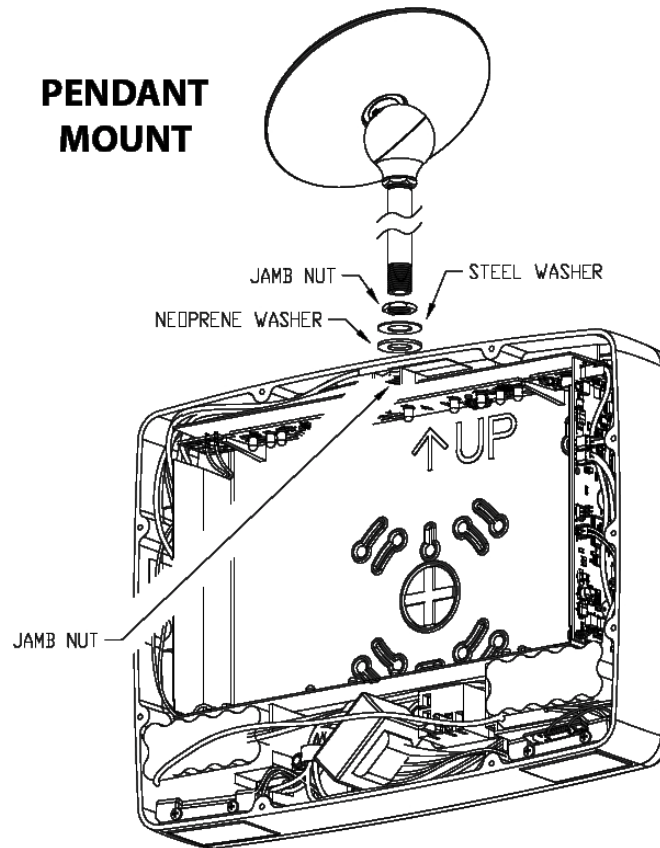


**Ceiling Mounting** –Mount junction box cross bar to junction box. Mount canopy to cross bar using screws provided in canopy kit. Place thin O-ring in the groove in the canopy around the canopy mounting stud. Remove left-most knockout in top of housing and secure exit housing to canopy mounting stud using jamb nut provided. Refer to Step 3 for wiring instructions.



**Side Wall Mount** –Mount junction box cross bar to junction box. Mount canopy to cross bar using screws provided in canopy kit. Place thin O-ring in the groove in the canopy around the canopy mounting stud. Remove right-most knockout in top of housing and secure exit housing to canopy mounting stud using jamb nut provided. Refer to Step 3 for AC wiring instructions.

## STEP 2 - Continued



### Pendant Mounting –

Refer to instructions supplied with pendant assembly for its installation to junction box. Remove center knockout in top of housing and pull AC wires into housing. Assemble jamb nuts and washers to pendant stem and housing as shown above. Refer to Step 3 for wiring instructions.

120 VAC OPERATION		277 VAC OPERATION	
WHITE WIRE	COMMON	WHITE WIRE	COMMON
BLACK WIRE	120 VAC	BLACK WIRE	CAP OFF
RED WIRE	CAP OFF	RED WIRE	CAP OFF
BLUE WIRE	CAP OFF	BLUE WIRE	277 VAC
GREEN WIRE	GROUND	GREEN WIRE	GROUND
<b>UNUSED PRIMARY WIRE MUST BE CAPPED OFF TO PREVENT SHORTING</b>			

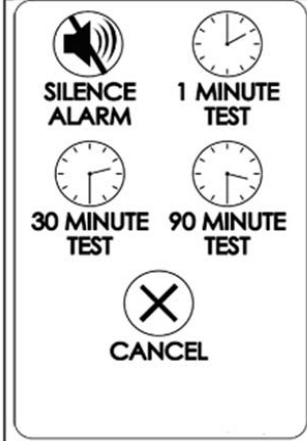
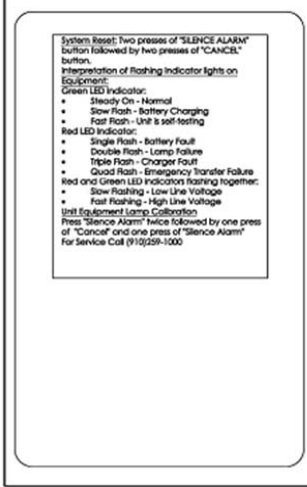
### STEP 3

Locate white, black, red and green wires coming from transformer in left side of housing. Wire these to AC supply as shown in chart above. Unused black or red lead must be insulated to prevent shorting.

If an LED remote load is to be powered by this combination unit and the remote load requires that polarity be observed, be aware that the yellow lead inside the unit is (-) polarity and the orange lead is (+) polarity.

### STEP 4

Replace cover assembly. Be sure to tighten all six screws enough to close up any gap between cover and housing as this will compress the water tight gasket between them. Energize AC supply branch circuit and refer to next page for operating instructions.

	<p><b>OPTIONAL REMOTE CONTROL</b></p> <p>Front</p> <p>Press appropriate button to perform the indicated test or silence the audible alarm.</p> <p>Cancel stops any test currently in process.</p>
	<p>Back</p> <p>Explanation of indicator light flash sequences.</p> <p>Refer to Table 2 above for further information.</p>

## Self Diagnostic System Operation – Emergency Light or EXIT Sign Products

### Normal Power Up Sequence

At power up the red and green LED indicators will alternately flash for one to two seconds. Next the product will execute a “Power Up Quick Test” causing the green LED indicator to flash rapidly. If any faults are detected during the “Power Up Quick Test” these will be evident by a flashing red LED indicator. If the audible diagnostic option has been ordered, the flashing red LED will be accompanied by a simultaneous beeping tone. **(Note: A continuous rapid alternating Red/Green flash with rapid beeping tone indicates 277V applied to 120V input lead. TURN OFF POWER IMMEDIATELY!)**

### Emergency Operation

Emergency operation occurs when AC power fails. The product remains in emergency operation until AC power is restored or battery capacity is depleted. During emergency operation both red and green LED indicators are disabled.

### User Interface

#### **Green LED indicator**

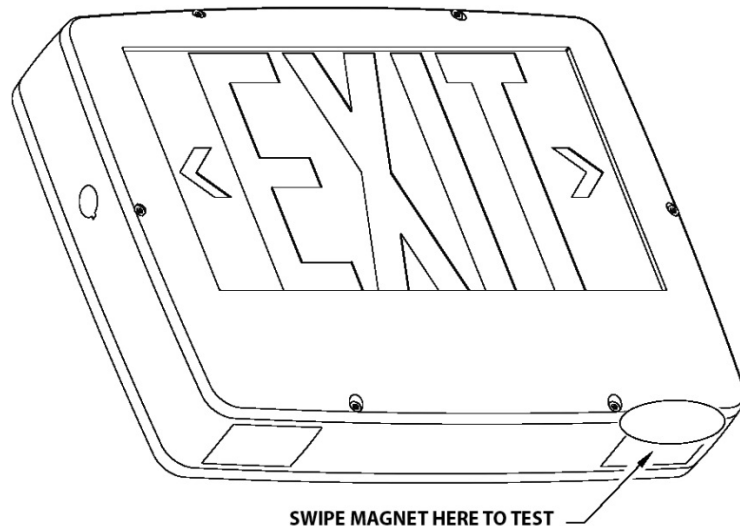
- Slow Flash/Continuous ON = AC power present; normal operating condition
- Rapid Flash = product performing an automatic or manually initiated diagnostic test.

## Self Diagnostic System Operation – Emergency Light or EXIT Sign Products - Continued

### Red LED indicator

- Single Flash = battery fault
- Two Flashes = lamp failure (light bar failure – EXIT signs)
- Three Flashes = charger fault
- Four Flashes = transfer fault

(If more than one fault condition is present simultaneously, the red LED will flash the indication pattern for each fault independently then repeat the cycle.)



### Test Switches

The main method of testing the unit is to swipe the magnet provided inside the unit across the area shown in the above diagram. Alternatively, after removing the cover assembly, there is a mechanical test switch located on a circuit board in this same area.

- Holding the magnet in this area or a long press of the button transfers product to emergency operation as long as the magnet is kept in position or the button is held.
- Multiple swipes/presses initiate self diagnostic activities as follows:
  - One quick swipe/press cancels diagnostic test presently running.
  - Two quick swipes/presses starts a one minute diagnostic test.
  - Three quick swipes/presses starts a 90 minute diagnostic test.
  - Four quick swipes/presses conducts a lamp load calibration (emergency light products only).
  - Seven quick swipes initiates a system reset.

(Note: the microprocessor will allow up to seven, one minute diagnostic tests within the first 24 hours of operation. Allow 24 hours of charging before performing any long duration testing.)

**Buzzer (optional)**– Sounds in unison with the flashing red LED if a fault condition is present. Buzzer may be silenced for up to 196 hours by a short press of either the test switch or the optional IR remote control device “silence” button. Correcting fault condition will cancel fault notification. Lamp failure indication requires a manually activated diagnostic test after lamp replacement to cancel notification.

**IR Remote Control (optional)**- is a hand held device that allows remote activation of diagnostic testing and silencing of the optional buzzer during fault conditions.