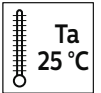
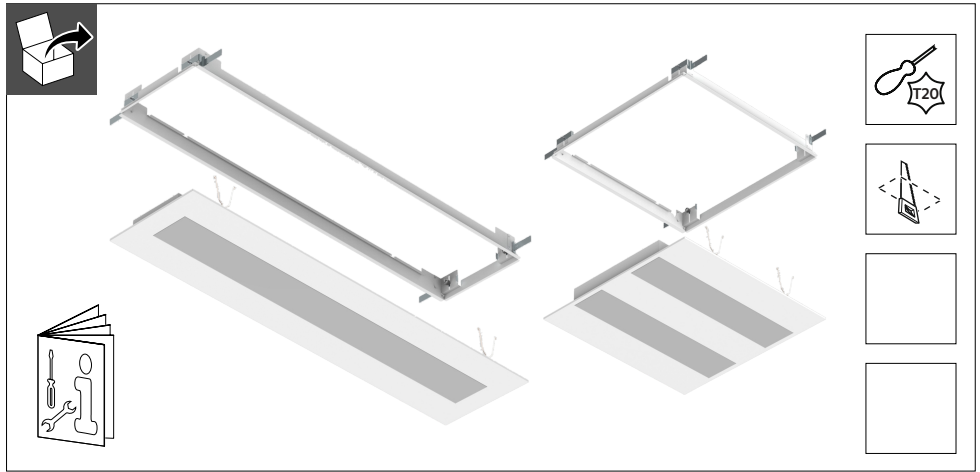


PHILIPS

FlexBlend recessed

RC340B PCV


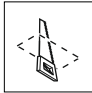


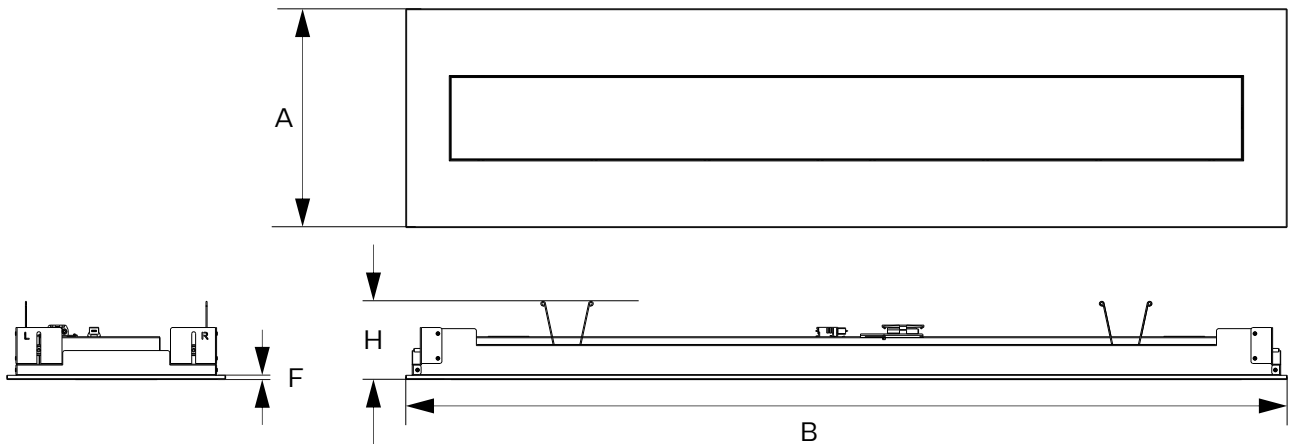
TP(a)
Flammability rated
Opal diffuser

	GLOW WIRE	BASIC	ELx	IA3	SWZ	ACL
MLO	650 °C	IP20	IP20	IP20	IP20	IP20
PCS / OPAL	850 °C	IP54	IP20	IP20	IP20	IP20



PCV
plaster
profile
version

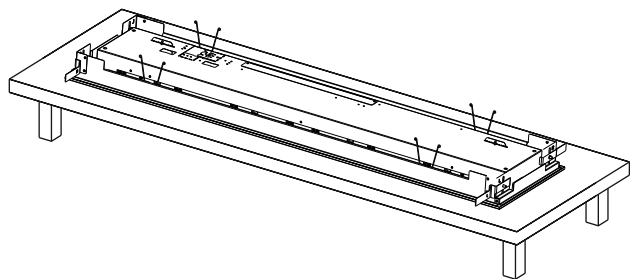
		A(mm)	B(mm)	H(mm)	F(mm)		
RC340B	W60L60	597	597	110	6	5.18	582x582
RC342B	W31L125	312.5	1247	110	6	6.05	290x1232
RC342B	W17L125	167	1247	110	6	5.04	148x1232



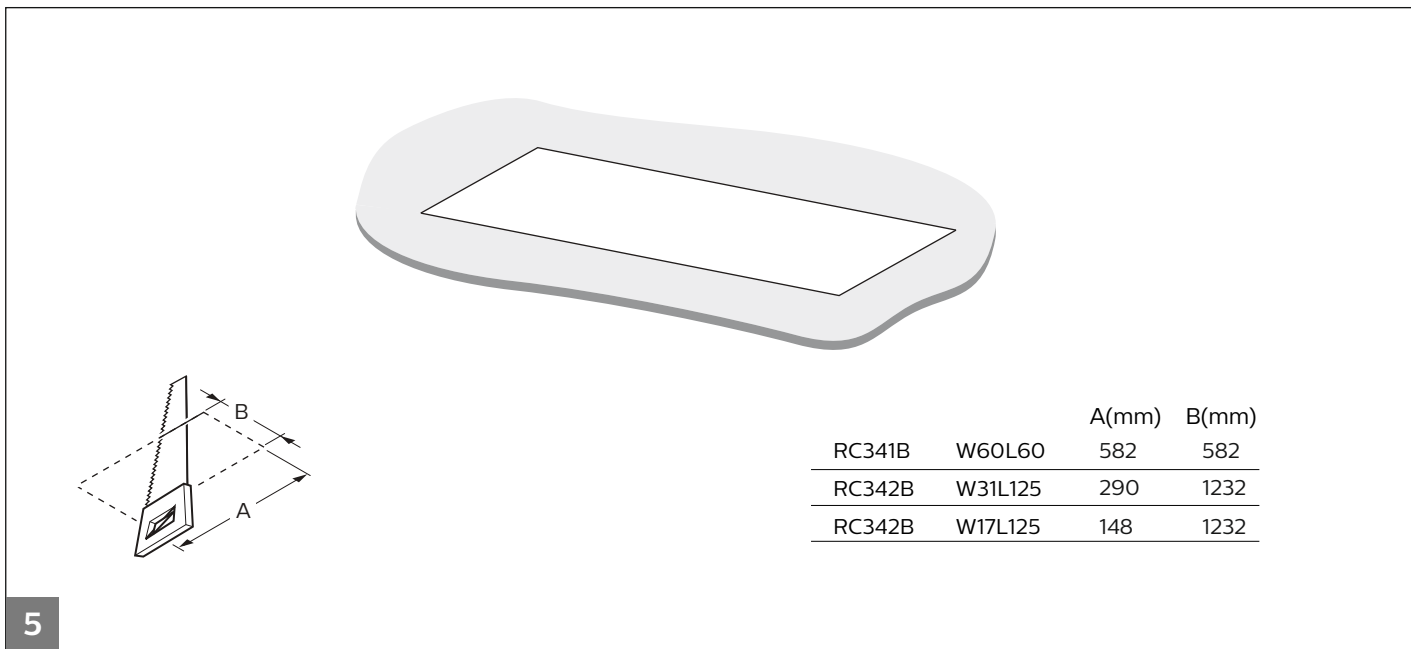
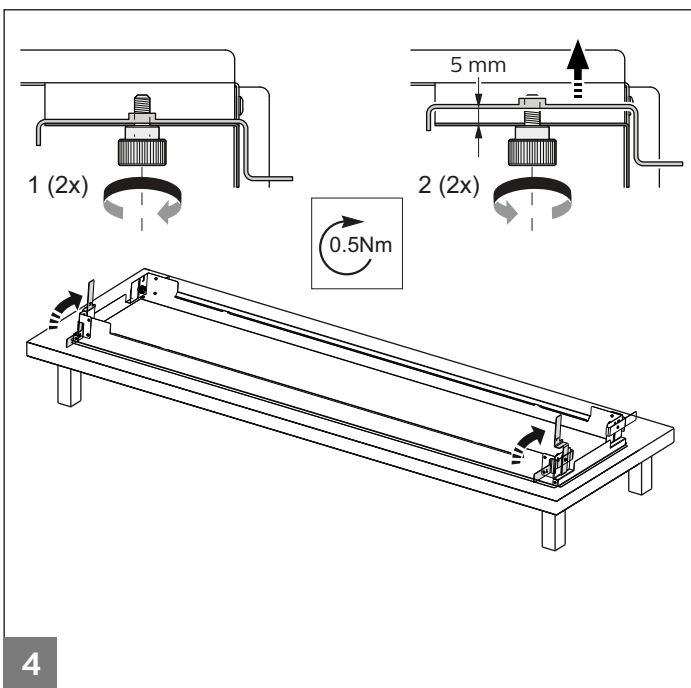
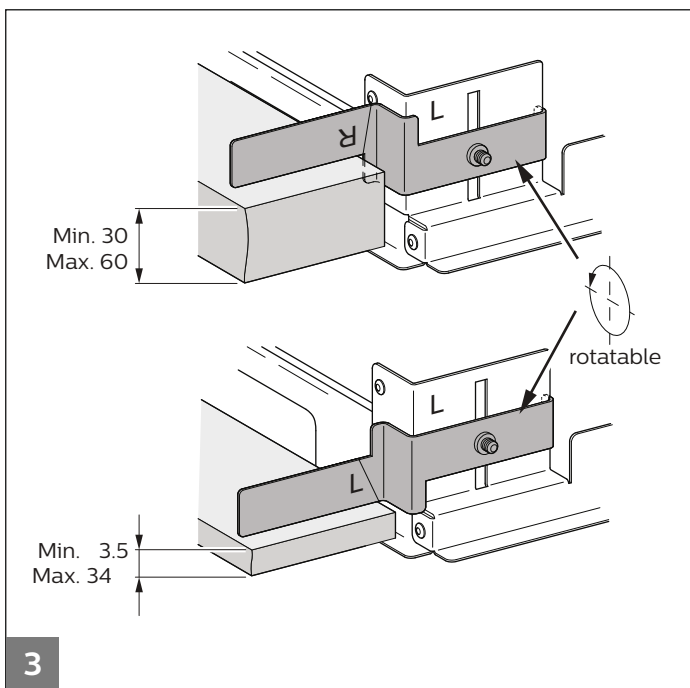
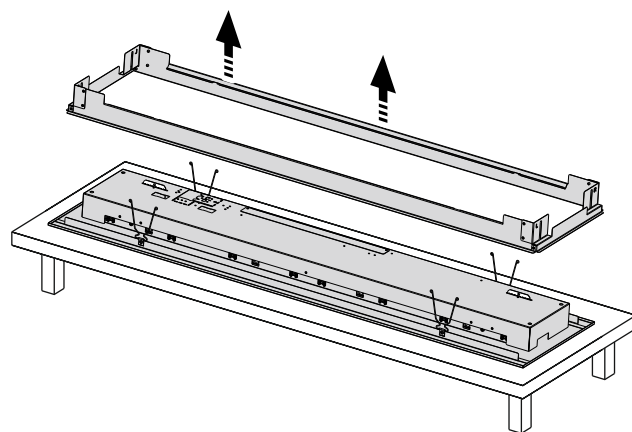


PCV (Plaster ceiling version)
W60L60
W31L125

1

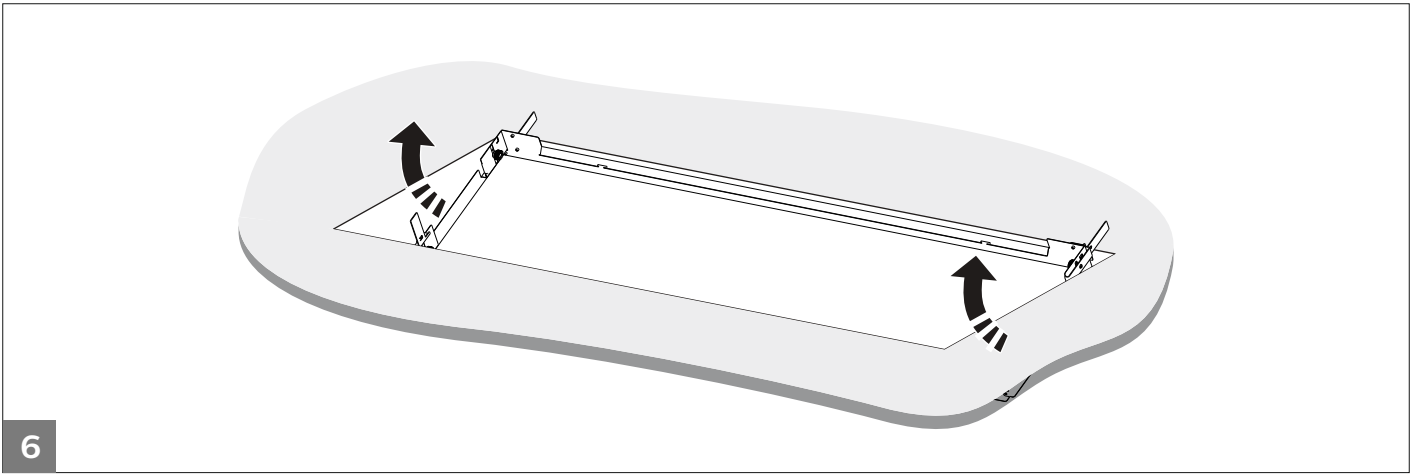


2

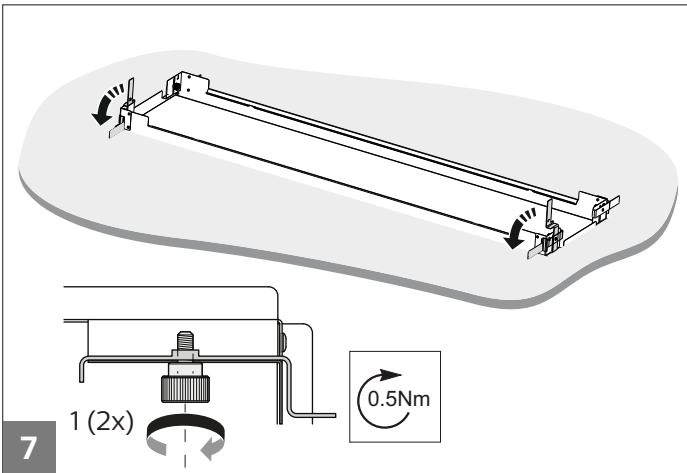


5

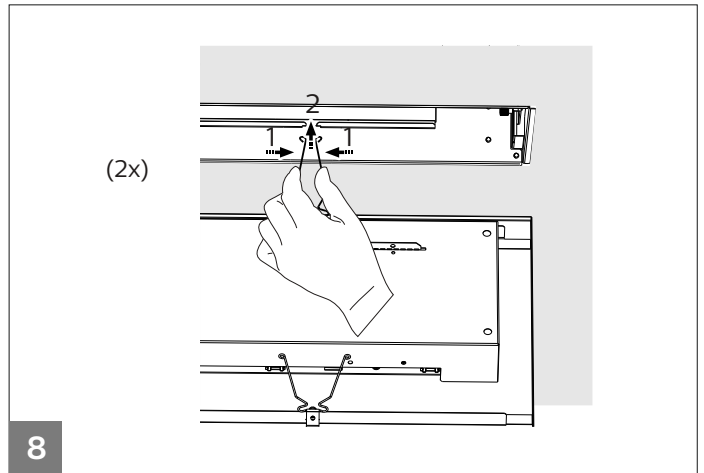
		A(mm)	B(mm)
RC341B	W60L60	582	582
RC342B	W31L125	290	1232
RC342B	W17L125	148	1232



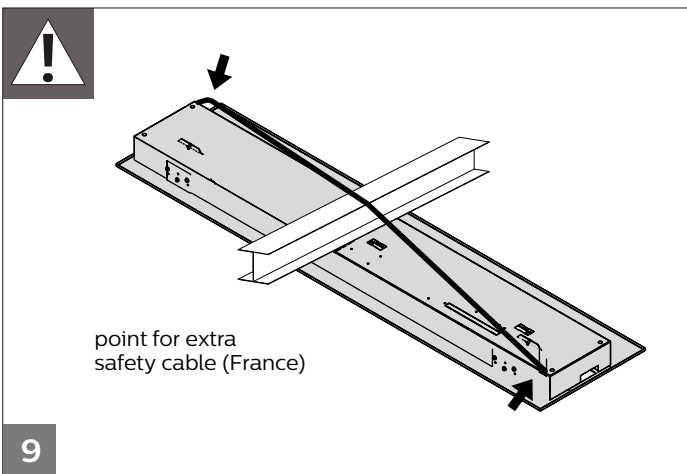
6



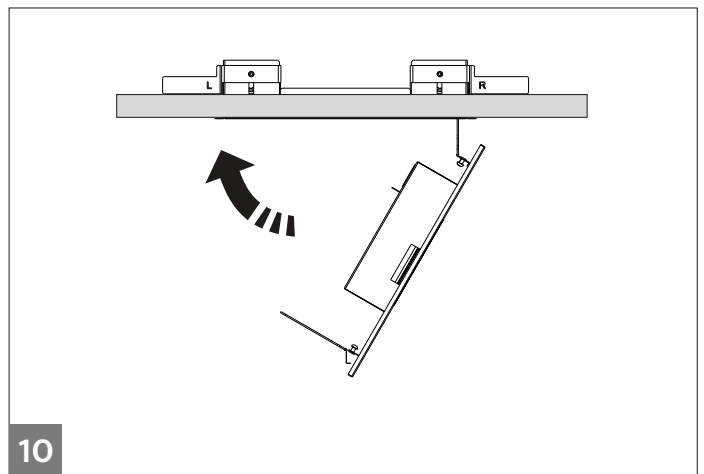
7



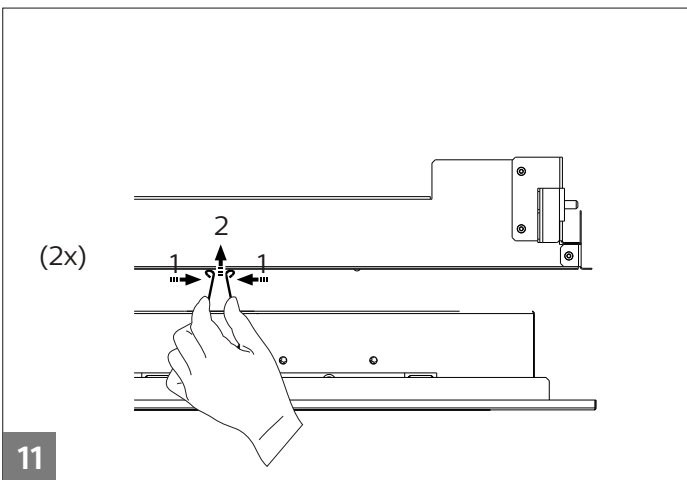
8



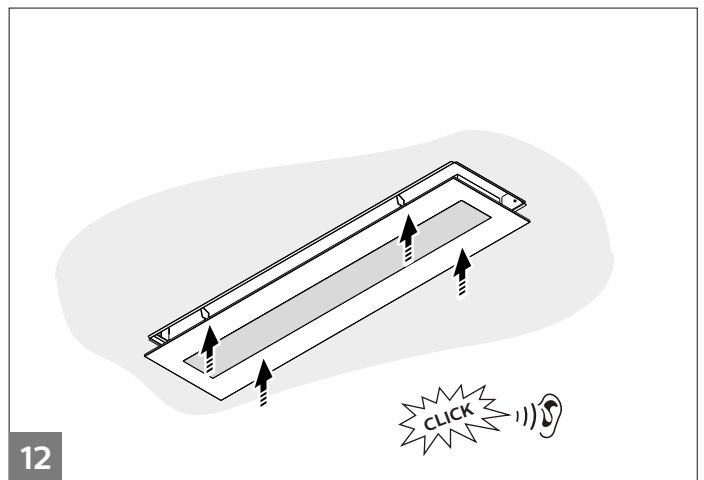
9



10



11

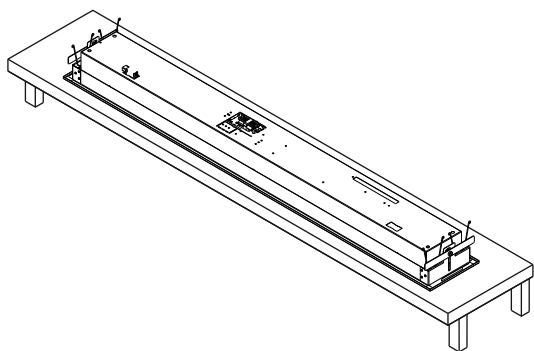


12

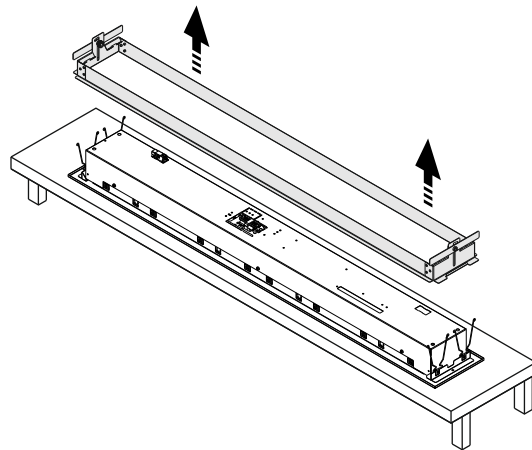


PCV (Plaster ceiling version)
W17L125

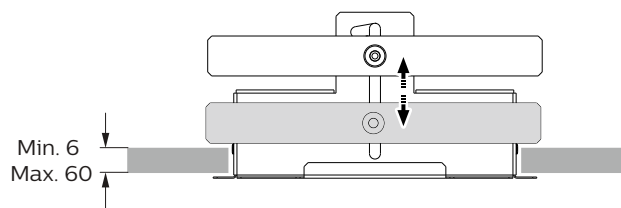
1



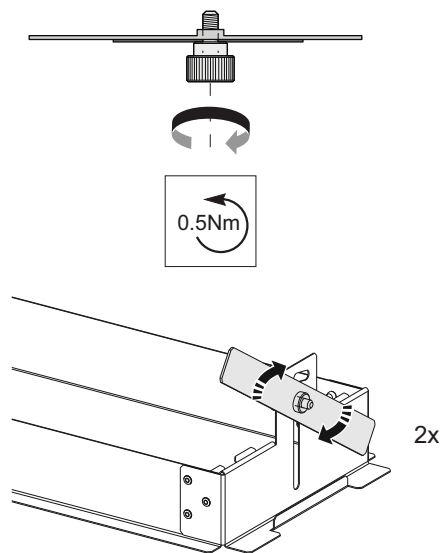
2



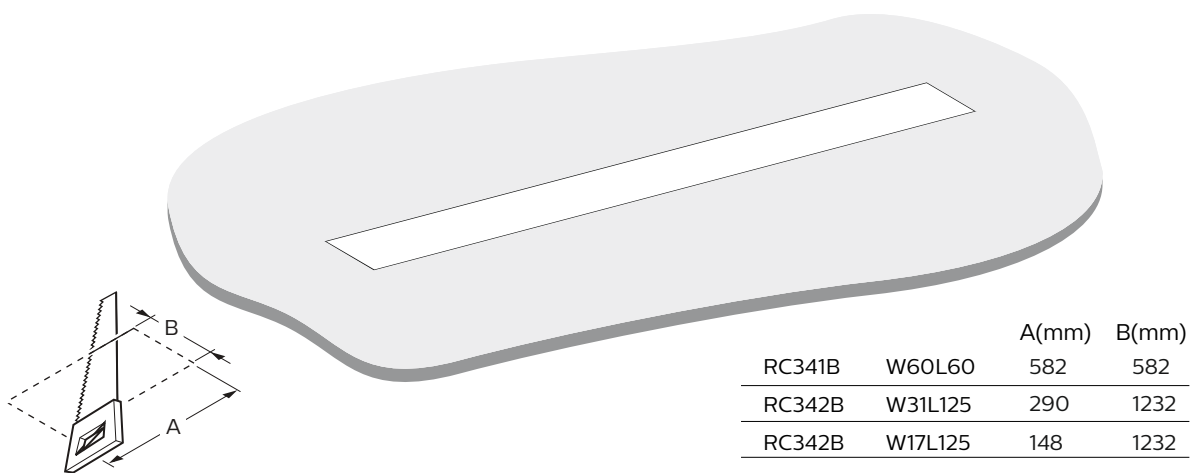
3

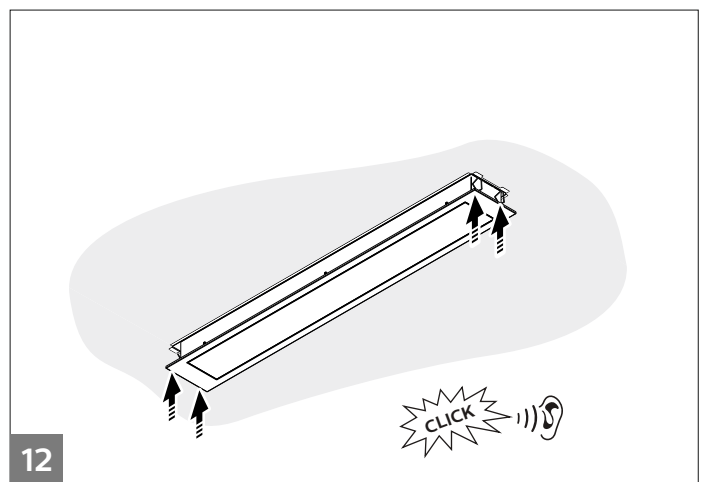
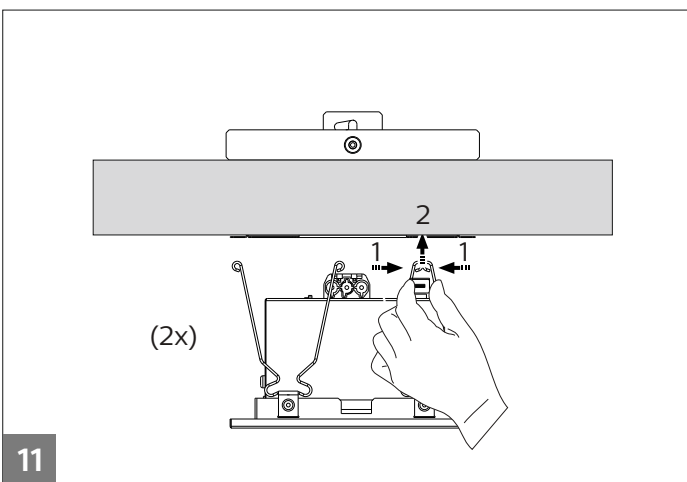
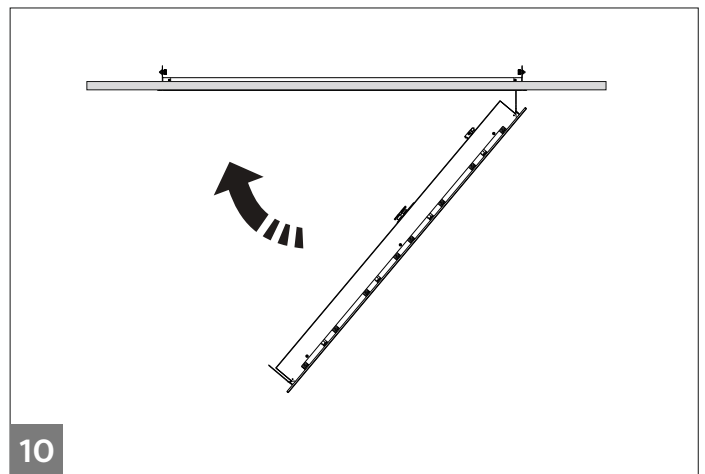
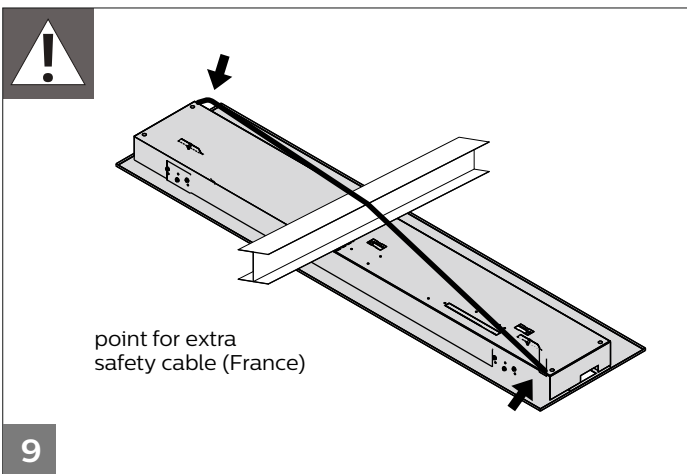
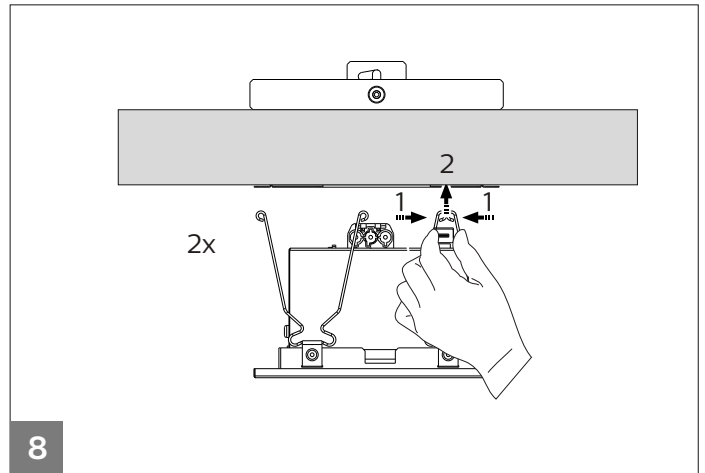
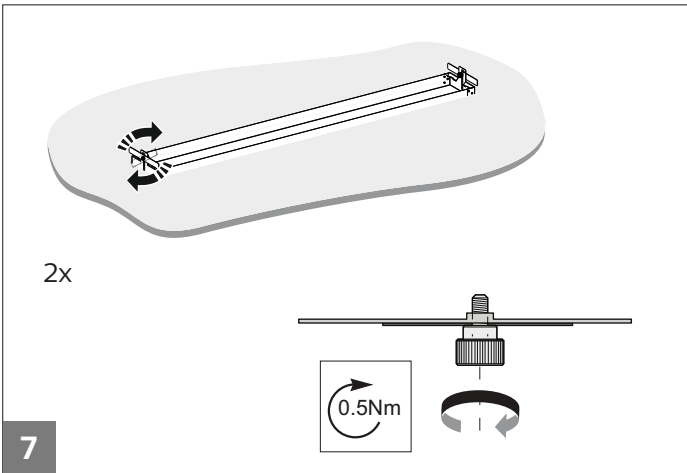
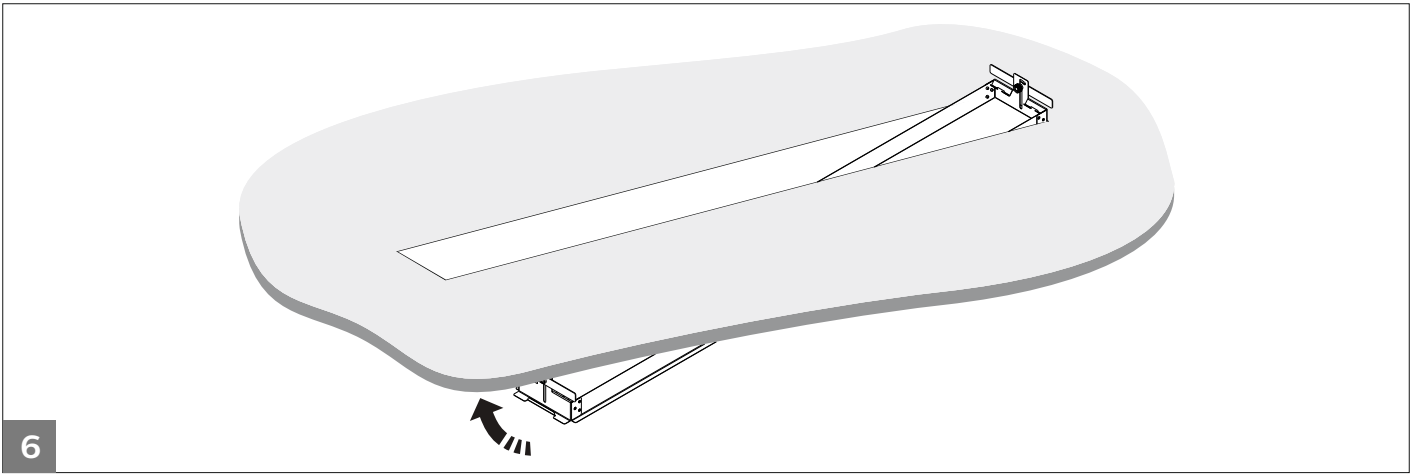


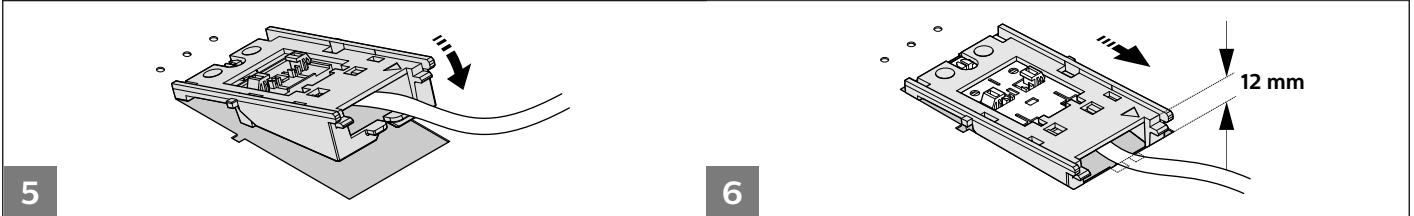
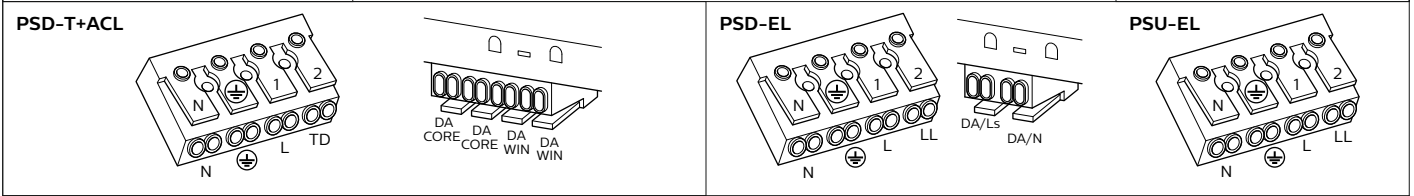
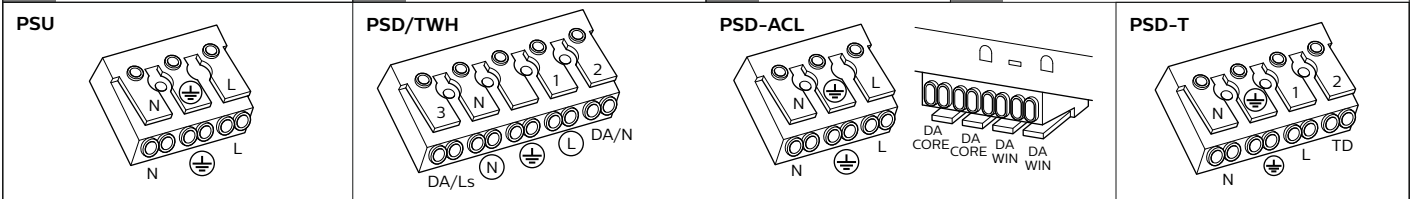
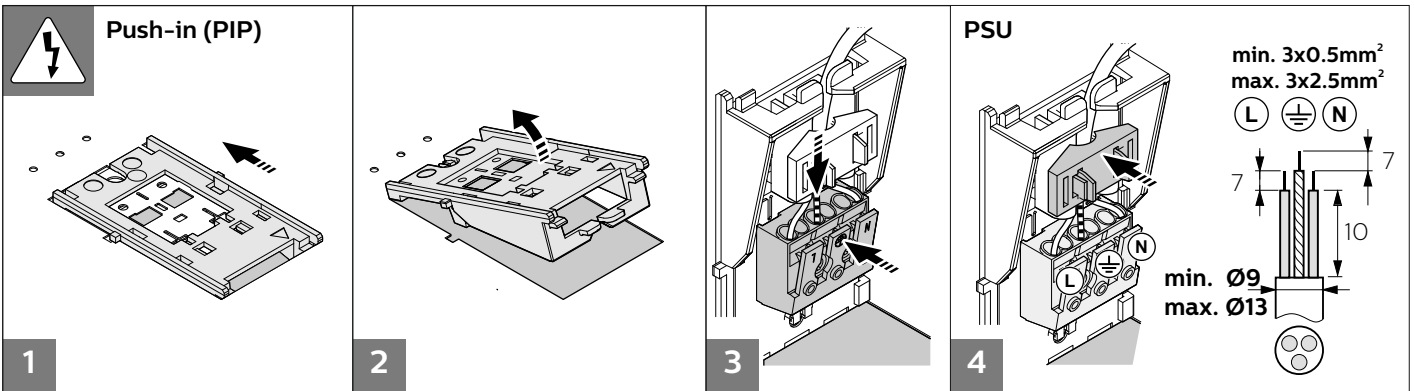
4



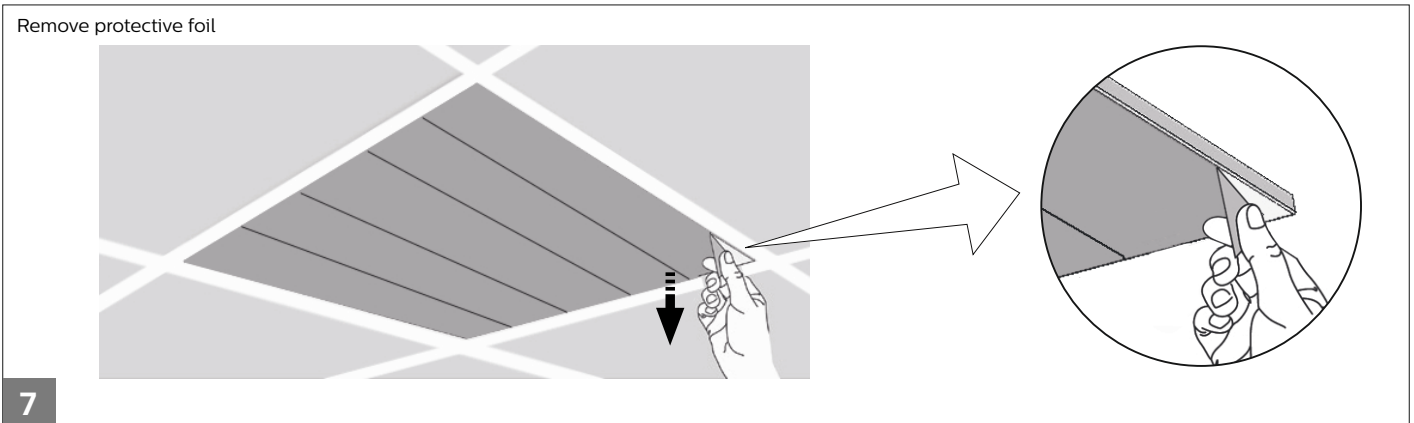
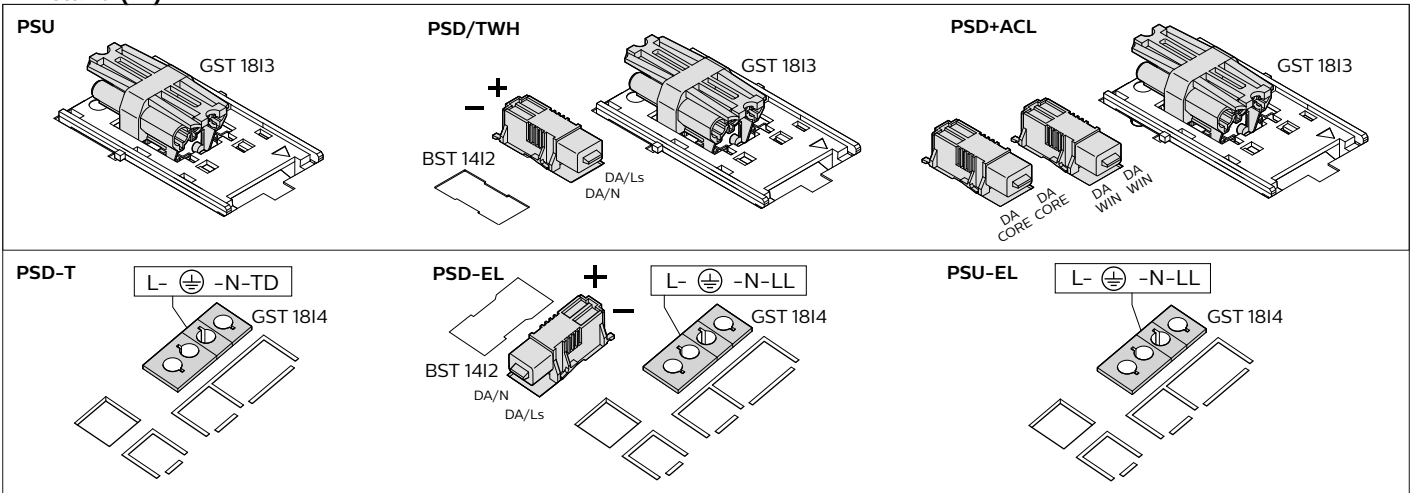
5





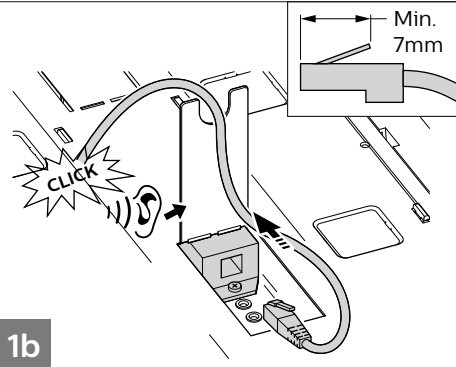
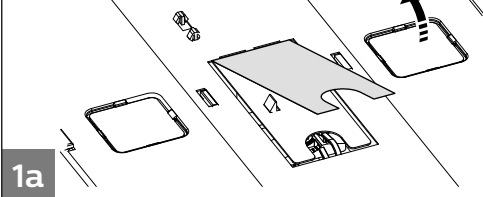


Wieland (W)



Interact Office Wired (PoE)

Condition Philips to specify to the customers (instruction):
> to use UTP (Unshielded Twisted Pair) CAT5E or CAT6 cable
> the maximum length of the cable to be 20 meters.
Apply a minimum radius of the Ethernet cable of 4x the cable diameter.

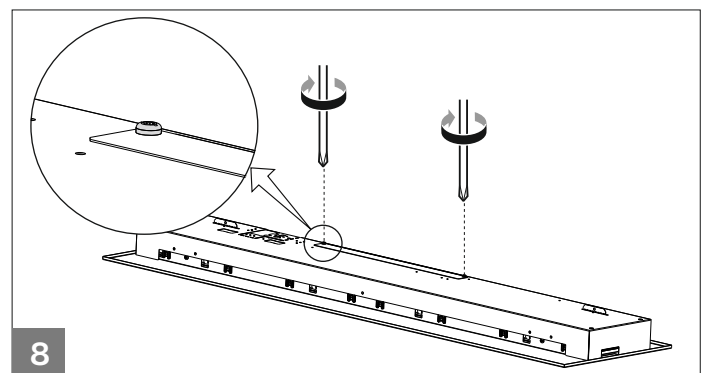
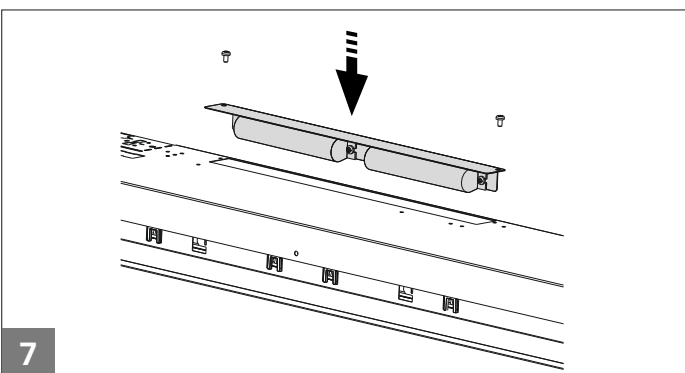
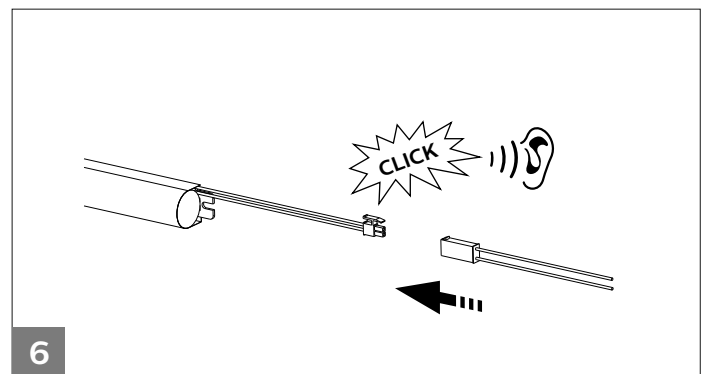
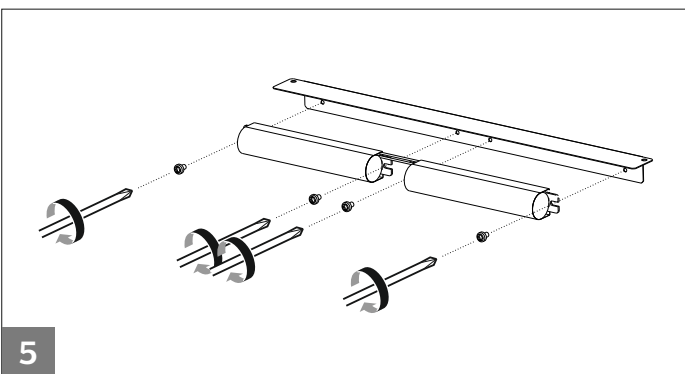
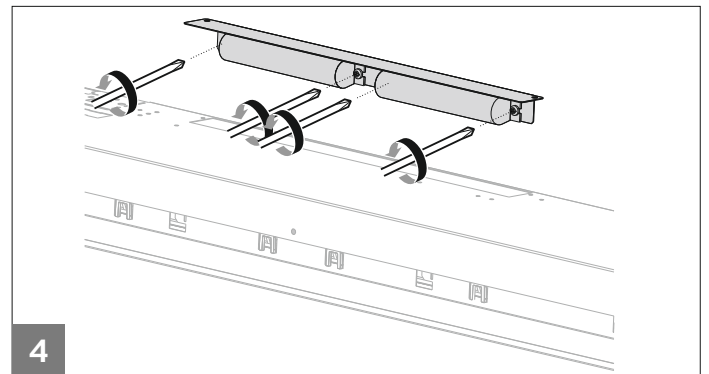
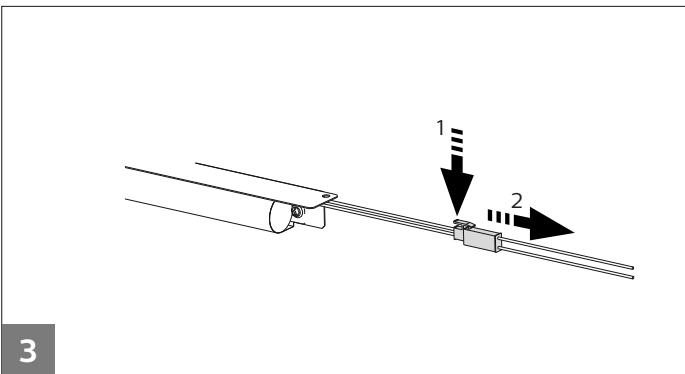
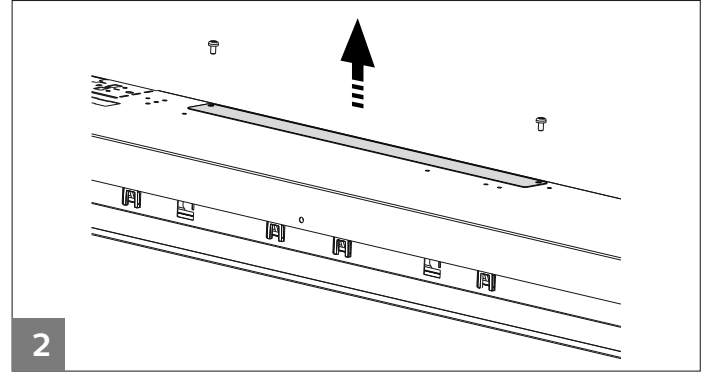
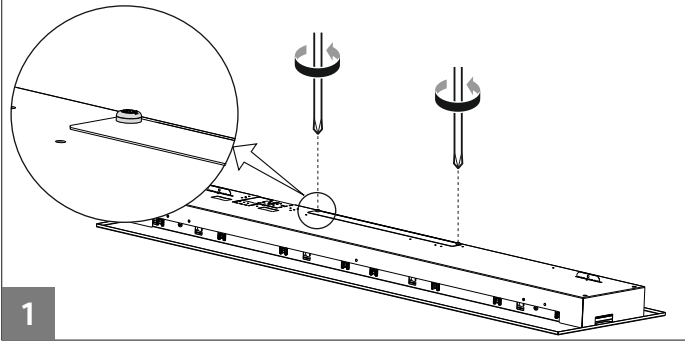


SpaceWise (SWZ)

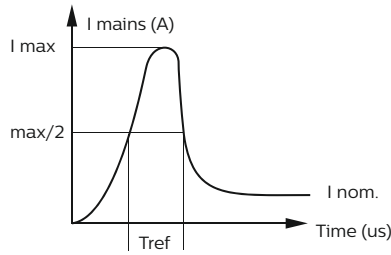
More information on installing and commissioning of SpaceWise:



Battery replacement instruction



Inrush current



POWER CONSUMPTION

DRIVER TYPE	OPAL (O)			TEXTURED (PCS)			MLO		
	2800lm	3600lm	4200lm	2800lm	3600lm	4200lm	2800lm	3600lm	4200lm
	P[W]	P[W]	P[W]	P[W]	P[W]	P[W]	P[W]	P[W]	P[W]
PSU	22.5	30.0	35.5	20.5	26.5	31.0	29.0	38.5	47.5
PSD	23.5	30.5	36.0	20.5	26.5	31.5	29.5	39.0	47.5
SR	23.5	30.5	36.0	20.5	26.5	31.5	29.0	38.5	47.5
PoE	23.5	30.5	36.0	20.5	26.5	31.5	29.5	39.0	47.5
PSU ELB/ELP	26.5	34.0	39.5	24.5	30.5	35.0	33.0	42.5	51.5
PSD ELP/ELD	28.0	34.0	40.0	25.0	31.0	35.0	33.5	43.0	52.0
SR ELP/ELD	-	-	-	24.5	-	-	-	-	51.5
PoE ELE	28.0	-	40.0	25.0	31.0	35.0	33.5	43.0	52.0

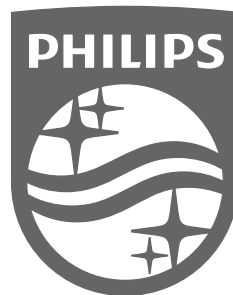
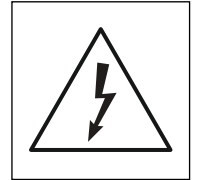
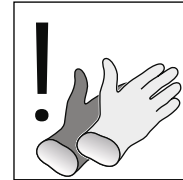
ELECTRICAL CHARACTERISTICS

DRIVER	I _{max} [A]	T _{ref} [μs]	No.Lum per MCB									
			B-10A	B-13A	B-16A	B-20A	B-26A	C-10A	C-13A	C-16A	C-20A	C-26A
PSU	17.8	282	15	19	24	30	37	24	32	40	49	62
PSD	21	280	15	19	24	30	37	24	32	40	49	62
SR	21	280	15	19	24	30	37	24	32	40	49	62
EL-B/P/D	5	110	-	-	-	-	-	-	-	-	-	-

Maintenance instructions

To assure the lighting quality of this unique LED lighting concept there are a few instructions regarding the maintenance of this LED luminaire:

- Do not touch electronic components!
Electronic components are under high voltage.
Electronic components are ESD sensitive.
- During installation or when maintaining the luminaire please use static free gloves to avoid marks on the luminaire.
- To remove dirt and spots use the following:
 - Dust: only use micro fiber cloths
 - Fingerprints, etc.: use a cleaner for synthetic materials with antistatic properties.
- Do not stare into the LED light beam.
- To avoid scratches and dirt on optical parts remove protective foil after installation.
- The luminaire shall be installed by a qualified electrician and wired in accordance with the latest IEE electrical regulations or the national requirements.
- The lightsource is not replaceable. In case of damage replace the luminaire.
- Driver insulation: Basic according to IEC 61847-1



© 2018 Signify Holding

All rights reserved. This document contains information relating to the product portfolio of Signify which information may be subject to change. No representation or warranty as to the accuracy or completeness of the information included herein is given and any liability for any action in reliance thereon is disclaimed. The information presented in this document is not intended as any commercial offer and does not form part of any quotation or contract.

Philips and the Philips Shield Emblem are registered trademarks of Koninklijke Philips N.V. All other trademarks are owned by Signify Holding or their respective owners.

Signify Holding
The Netherlands