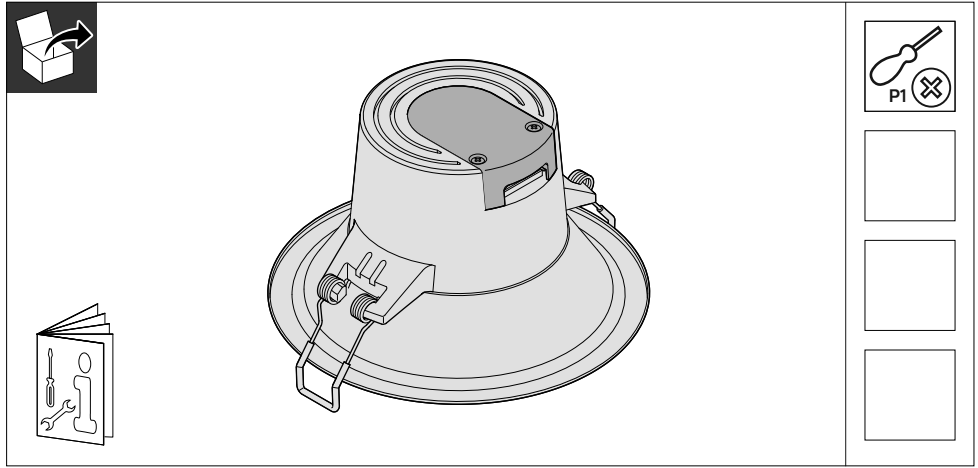
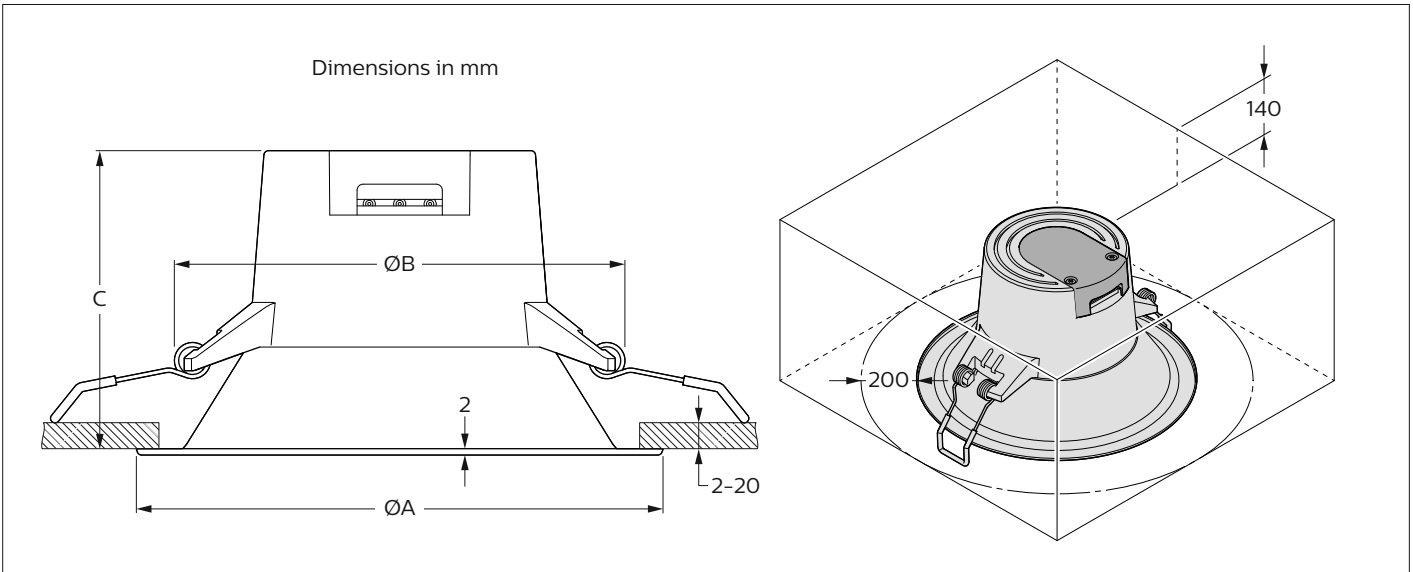


PHILIPS

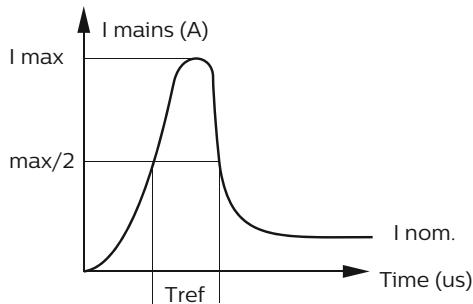
Downlight DN060B



	Output (lm)	P (W)	A	B	C	Ø mm	kg	
DN060B LED8S	830	700	9	173	150	98	150-155	0.282
	840	800						
DN060B LED18S	830	1700	18	233	194	118	200-205	0.498
	840	1800						



Inrush current



	LED8S	LED18S
Electrical characteristics		
Inom(A)	0.045	0.092
Imax (A)	11.3	17.2
Tref (µs)	1	1.6
MCB	Luminaires Max.	
B-10 A	48	48
B-13 A	48	48
C-10 A	48	48
C-13 A	48	48
C-16 A	48	48

