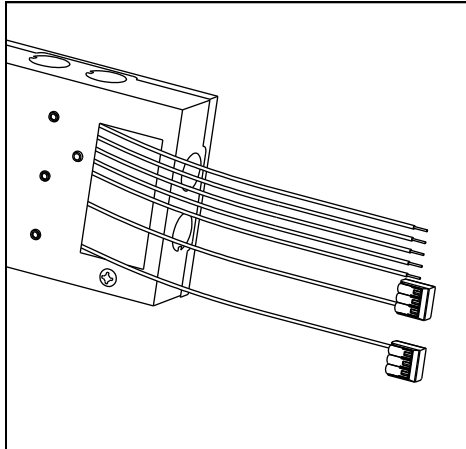


! IMPORTANT SAFETY AND HANDLING PROCEDURES

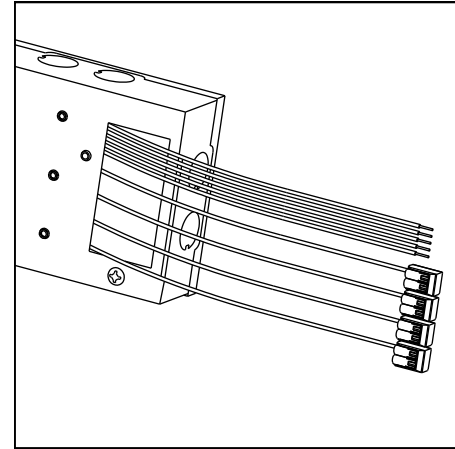
DO NOT POWER UP ROW UNTIL ALL FIXTURES ARE INSTALLED AND CONNECTED

Driver Pod with One Driver

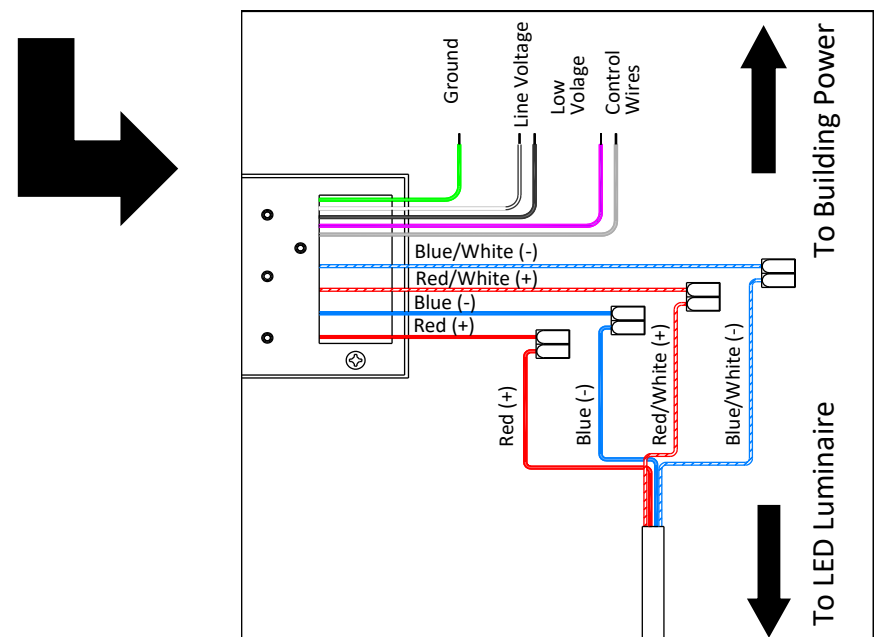
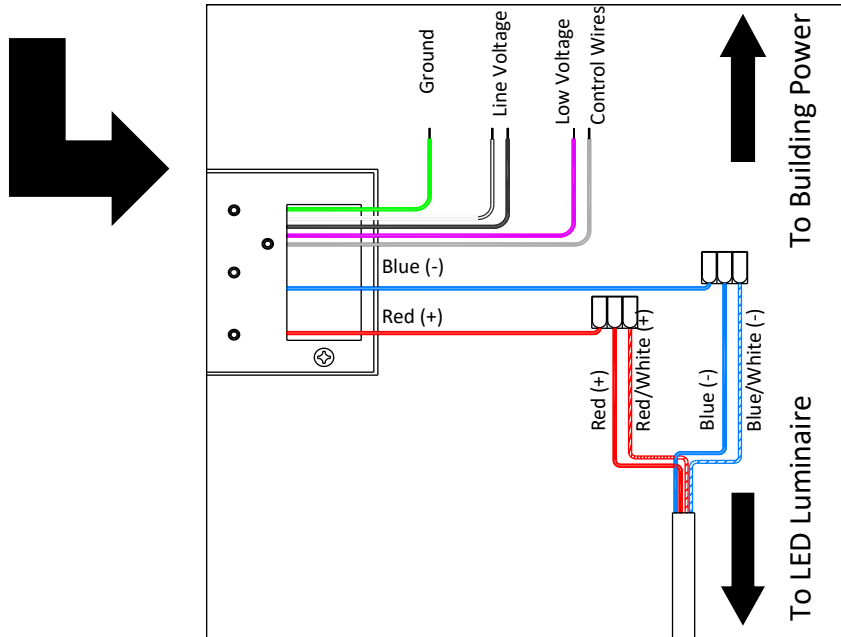


- Will only have one pair of Red and Blue or Red/White and Blue/White and will terminate in 3 pole connector.
- Connect all reds together.
- Connect all blues together.
- If installation of a sensor is required, refer to page 2 for wiring instructions.
- Connect building power.

Driver Pod with Two Drivers



- Will have two pairs of Red and Blue or Red/White and Blue/White and will terminate in 2 pole connector.
- Connect one pair of wires from the driver pod to red and blue wires.
- Connect other pair of wires from the driver pod to red/white and blue white.
- If installation of a sensor is required, refer to page 2 for wiring instructions.
- Connect building power.



! IMPORTANT SAFETY AND HANDLING PROCEDURES

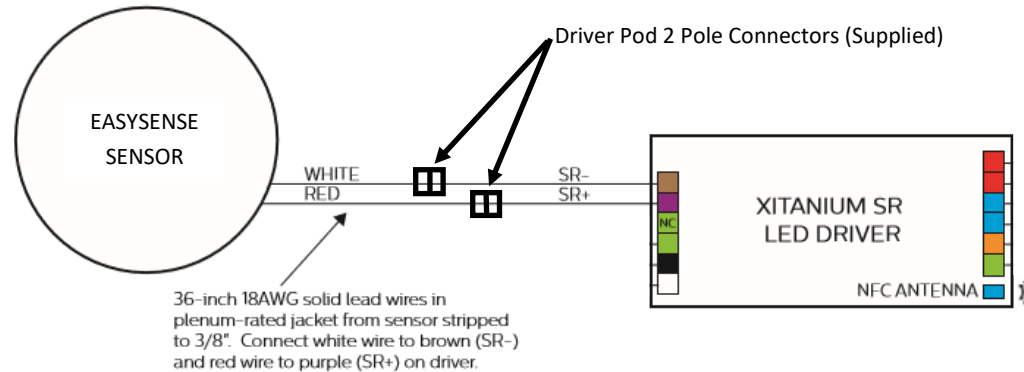
DO NOT POWER UP ROW UNTIL ALL FIXTURES ARE INSTALLED AND CONNECTED

Driver Pod with One Driver and Sensor

- To connect sensor, open driver pod housing cover and locate purple and brown dimming control wires.
- Connect driver pod purple (+) wire to sensor red (+) wire using supplied connector.
- Connect driver pod brown (-) wire to sensor white (-) wire using supplied connector.
- Install driver pod cover and connect building power.

Driver Pod with Two Drivers and Sensor

- To connect sensor, open driver pod housing cover and locate purple and brown dimming control wires.
- Connect driver pod purple (+) wire to sensor red (+) wire using supplied connector.
- Connect driver pod brown (-) wire to sensor white (-) wire using supplied connector.
- Install driver pod cover and connect building power.



RI Mount Installation Instructions

ID_RI_Mount_Drywall

Drywall

Remote Driver Mount



by @signify

1 Mount Installation

R1 mounting system is designed to work with 1/2" and 5/8" drywall. Minimum plenum height of 8-1/2" is required for power mount installation.

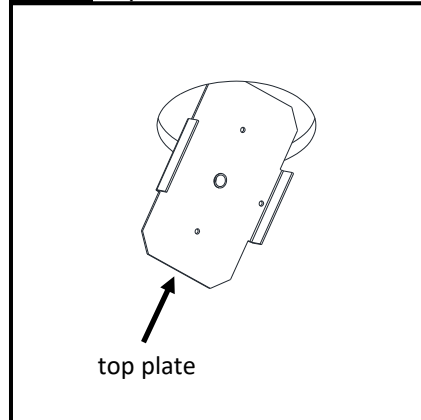
Non-power mount installation is covered in steps 2 to 9 of this document.

Power mount installation is covered, in steps 11 to 23 of this document.

IMPORTANT: Refer to supplied layout drawings to determine exact mounting locations.

IMPORTANT: All mount locations require a 4-1/2" hole cut in drywall ceiling.

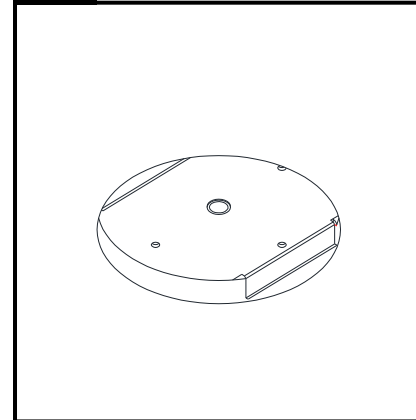
2 Top Plate Installation



Drill 4-1/2" diameter hole at required mounting location.

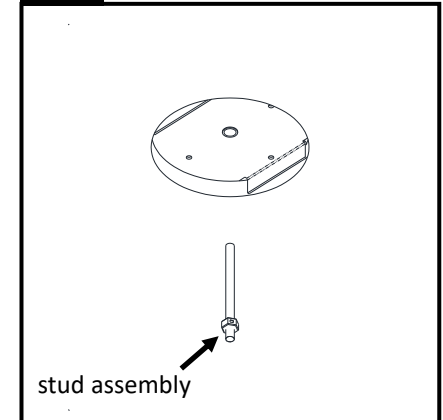
From below, tilt and insert top plate inside ceiling.

3 Top Plate Installation



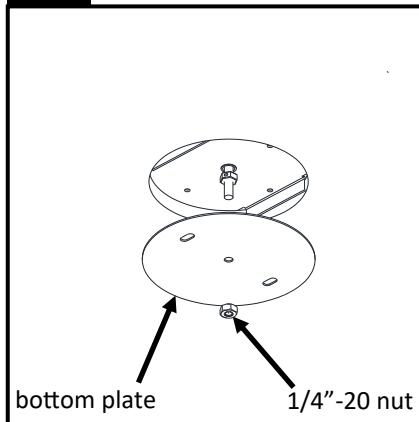
Center top plate above ceiling hole as shown.

4 Threaded Rod Installation



Begin threading factory prepared stud assembly into top plate. **IMPORTANT:** Stop after approximately 1 inch and move to next step.

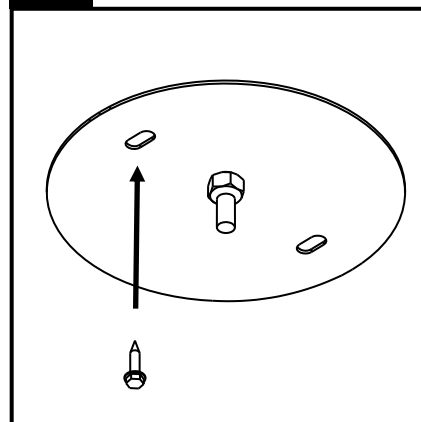
5 Bottom Plate Installation



Slide bottom plate onto 1/4"-20 stud assembly. Install 1/4"-20 supplied in hardware kit and fully tighten bottom plate against stud assembly.

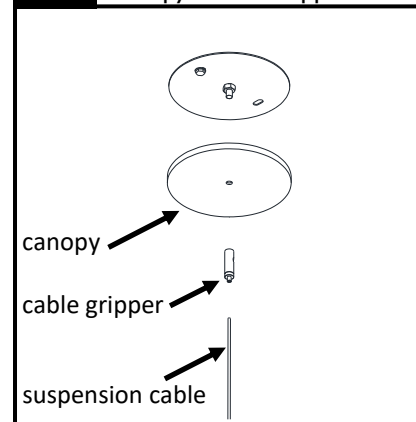
IMPORTANT: Ensure bottom plate is fully secured.

6 Bottom Plate Installation



Thread bottom plate assembly into top plate until full contact with bottom of drywall sheet. If needed, rotate slightly, align slot in bottom plate with hole in top plate and attach screw supplied in hardware kit.

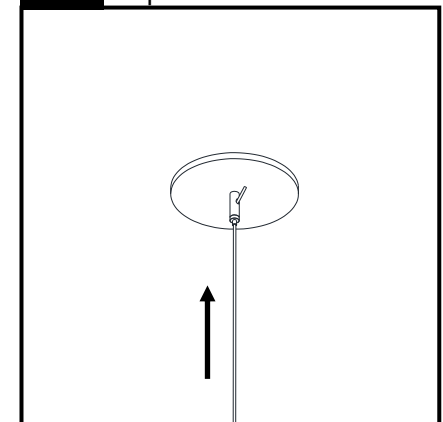
7 Canopy/Cable Gripper Installation



Slide canopy onto 1/4"-20 and install cable gripper.

IMPORTANT: Fully tighten cable gripper against canopy and 1/4"-20 nut below bottom plate.

8 Suspension Cable Installation



Insert suspension cable inside cable gripper and push through exit side. **IMPORTANT:** Ensure end of suspension cable is visible through exit port of cable gripper.

! ATTENTION: Install in accordance with national and local building and electrical codes.

Page 1

RI Mount Installation Instructions

ID_RI_Mount_Drywall

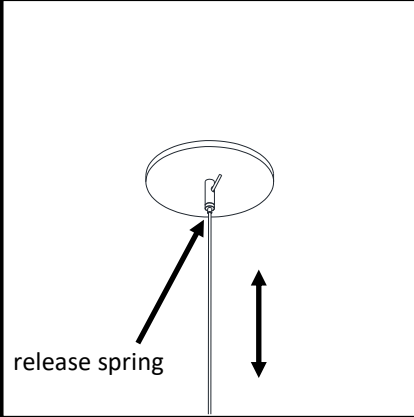
Drywall

Remote Driver Mount



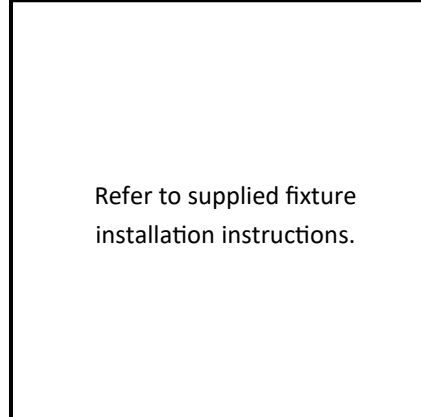
by @signify

9 Suspension Cable Adjustment



IMPORTANT: Cable adjustment is done by pressing release spring. **CAUTION:** Ensure fixture is fully supported before any adjustments are made. After final adjustments, trim excess cable below canopy.

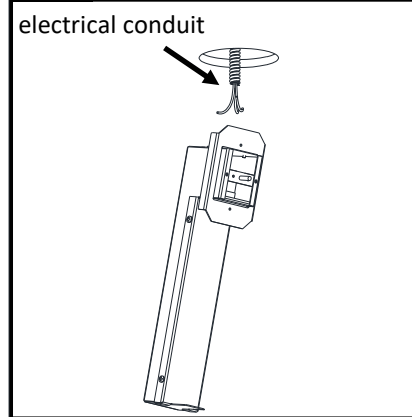
10 Fixture Installation



Refer to supplied fixture installation instructions.

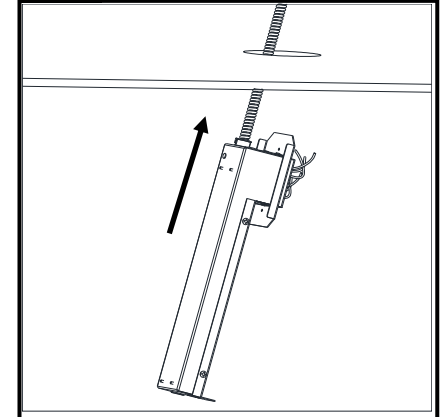
To complete fixture installation, refer to supplied fixture installation instructions and layout drawings.

11 Driver Pod Wiring



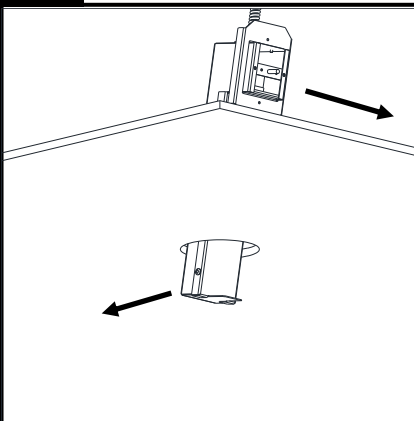
Drill a 4-1/2" hole at required mounting location. Prepare power feed conduit (supplied by others) and pull through ceiling hole. Connect conduit and connectors to 7/8" hole on A/C side of driver pod. Tuck wires inside A/C wiring cavity.

12 Driver Pod Installation



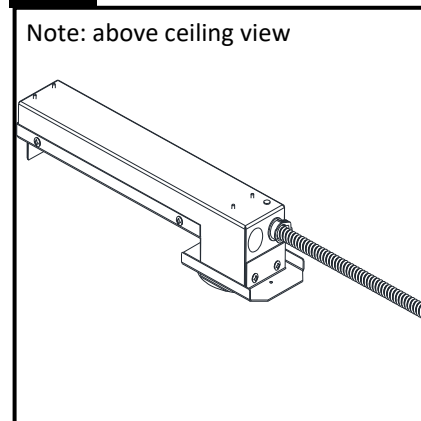
Begin driver pod installation by tilting and guiding through ceiling hole.

13 Driver Pod Installation



While feeding driver pod through ceiling hole, tilt upper section forward and lower section back to fully insert above ceiling.

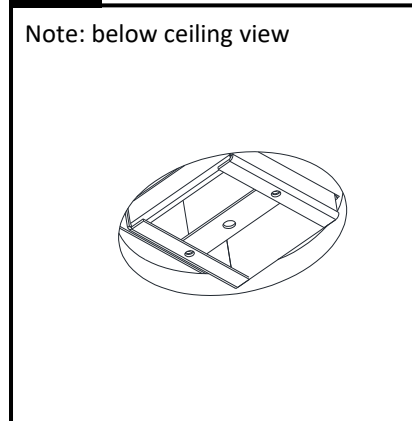
14a Driver Pod Installation



Move driver pod back and position directly above ceiling access hole.

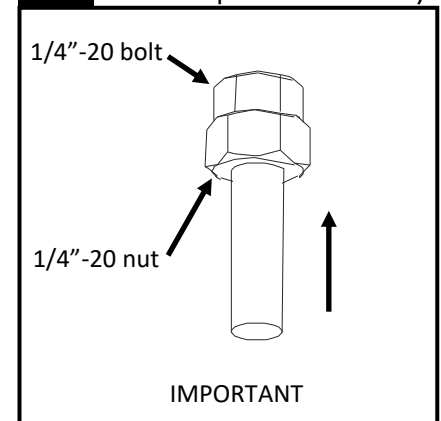
Note: Above ceiling view shown for reference only.

14b Driver Pod Installation



Make sure driver pod is centered above ceiling access hole.

15 Mount Preparation—1/2" Drywall



For 1/2" drywall ceilings only, assemble 1/4"-20 bolt and nut supplied in hardware kit.

For 5/8" drywall ceilings use only 1/4"-20 bolt for next step.

! ATTENTION: Install in accordance with national and local building and electrical codes.

Page 2

RI Mount Installation Instructions

ID_RI_Mount_Drywall

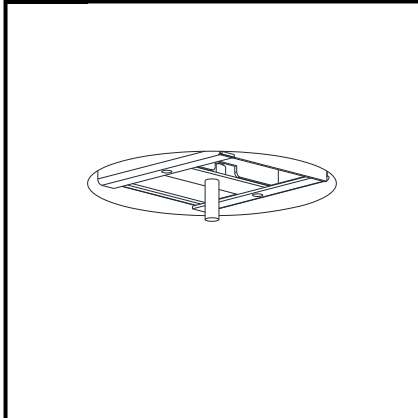
Drywall

Remote Driver Mount



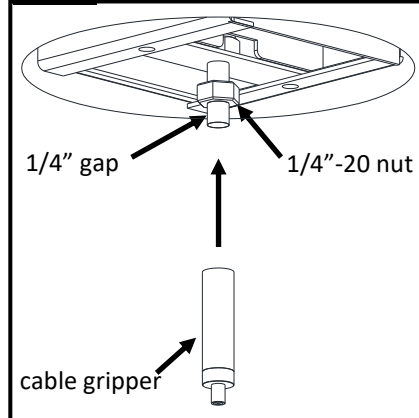
by @signify

16 Mounting Bolt Installation



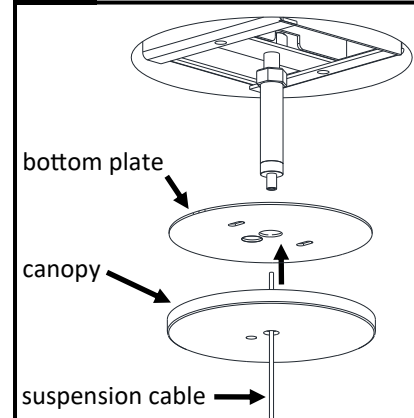
Install 1/4"20 bolt through driver pod wiring cavity and pull through center hole as shown.

17 Cable Gripper Installation



Install 1/4"-20 nut supplied in hardware kit. **IMPORTANT:** Leave a 1/4" gap at the bottom for cable gripper attachment. Install cable gripper onto stud. Ensure cable gripper is fully tightened against 1/4"20 nut.

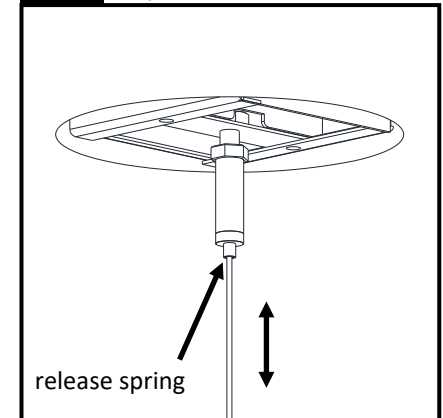
18 Suspension Cable Installation



Slide canopy and bottom plate on suspension cable and lower to fixture level. Insert suspension cable inside gripper and push through exit side.

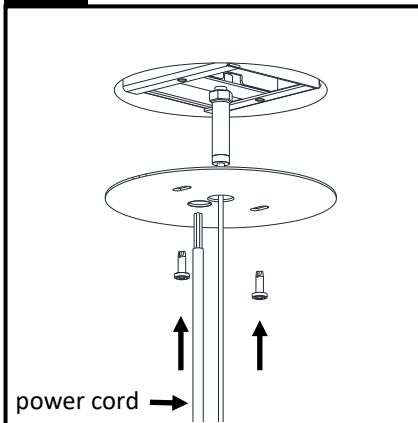
IMPORTANT: Ensure end of suspension cable is visible through exit port of cable gripper.

20 Suspension Cable Adjustment



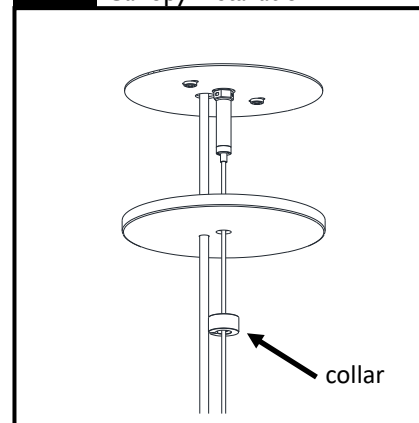
Refer to supplied fixture installation instructions for proper installation. Once fixtures are installed, make any necessary adjustments at the cable gripper by pushing release spring. **IMPORTANT:** Ensure fixture sections are fully supported before adjustments are made.

21 Fixture Power Cord Installation



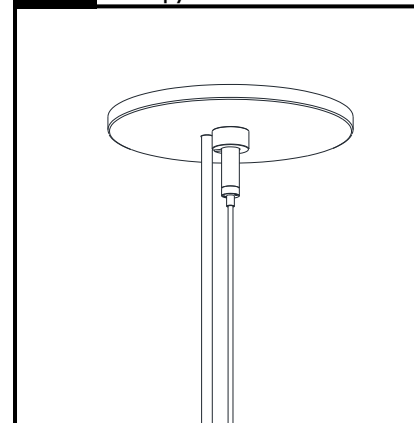
Feed fixture power cord through bottom plate and lower plate to fixture level. Complete low voltage wiring connections inside driver pod wiring cavity. Raise bottom plate to ceiling and secure to driver pod with supplied screws.

22 Canopy Installation



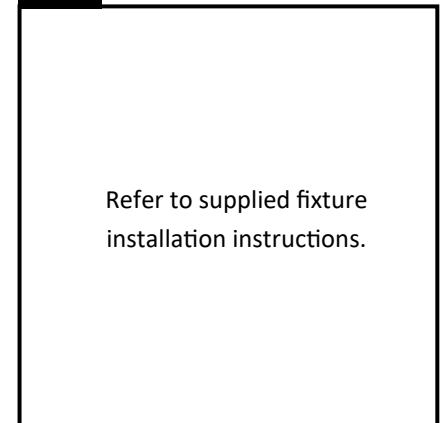
Raise canopy and collar to ceiling.

23 Canopy Installation



Push canopy tight against drywall ceiling and tighten collar set screw to lock in place.

23 Fixture Installation



Refer to supplied fixture installation instructions.

To complete fixture installation, refer to supplied fixture installation instructions and layout drawings.

! ATTENTION: Install in accordance with national and local building and electrical codes.

Page 3

R3 Mount Installation Instructions

ID_R3_Mount_Surface

Surface

Remote Driver Mount



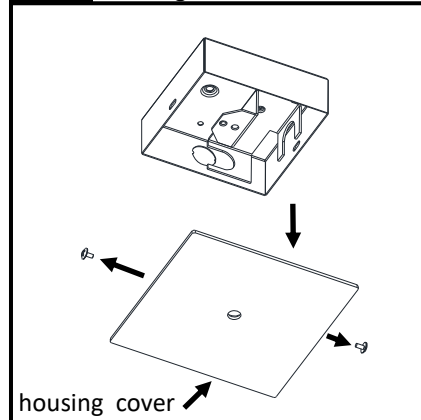
by @signify

1 Mount Installation

Non-power mount installation is covered in steps 2 to 10 of this document.
Power mount installation is covered, in steps 12 to 22 of this document.

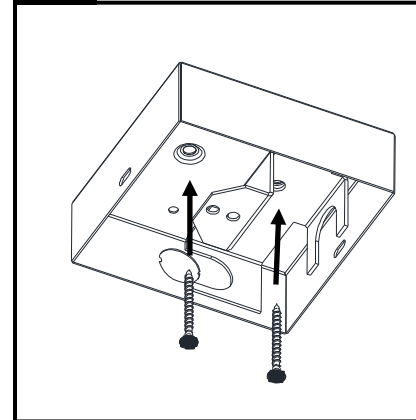
IMPORTANT: Refer to supplied layout drawings to determine exact mounting locations.

2 Housing Installation



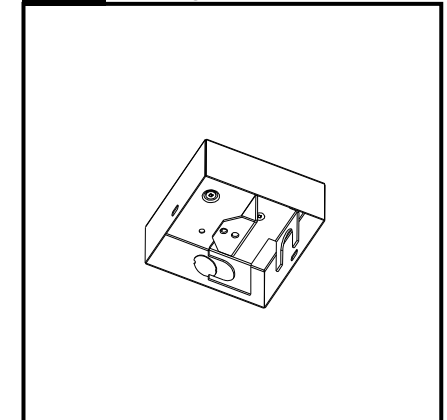
Remove housing cover and 2 screws.

3 Housing Installation



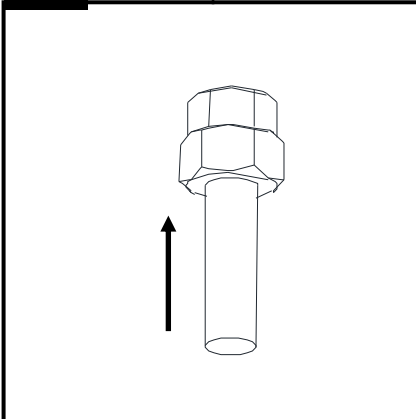
Install housing at required mounting location. Attach to structure with appropriate hardware (supplied by others).

4 Housing Installation



IMPORTANT: Ensure housing is secure to ceiling.

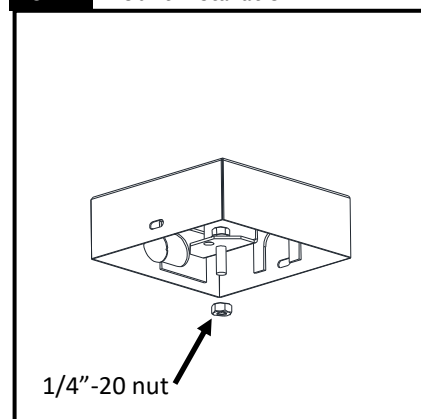
5 Mount Preparation



Prepare 1/4"-20 bolt for installation by attaching 1/4"-20 nut supplied in mounting kit.

Ensure nut is flush with head of bolt as shown.

6 Mount Installation

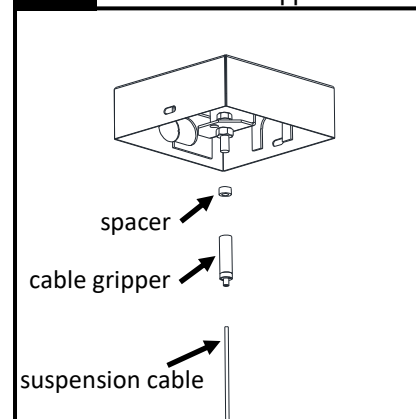


Install bolt prepared in step 5 inside mounting bracket hole as shown.

Install second 1/4"-20 to secure to mounting bracket.

IMPORTANT: Ensure nut is fully tightened to bolt.

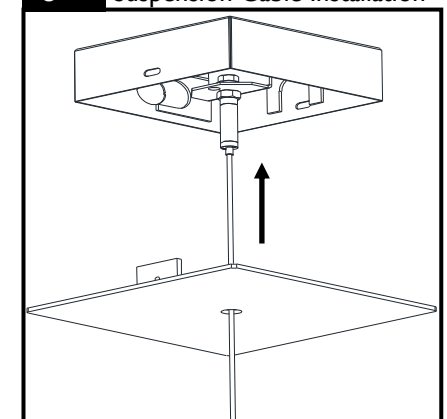
7 Cable/Cable Gripper Installation



IMPORTANT: Feed suspension cable through housing cover removed in step 2. Install spacer and cable gripper onto housing 1/4"-20 bolt and fully tighten.

IMPORTANT: Fully tighten cable gripper against spacer and 1/4"-20 bolt.

8 Suspension Cable Installation



Insert suspension cable inside cable gripper and push through exit side. **IMPORTANT:** Ensure end of suspension cable is visible through exit port of cable gripper.

! ATTENTION: Install in accordance with national and local building and electrical codes.

Page 1

R3 Mount Installation Instructions

ID_R3_Mount_Surface

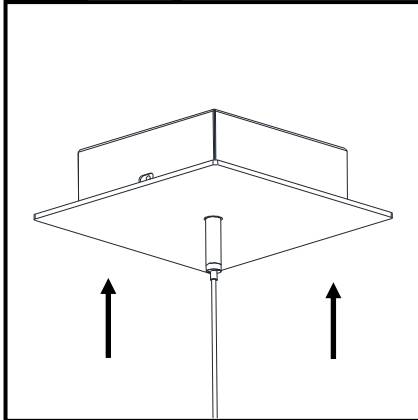
Surface

Remote Driver Mount



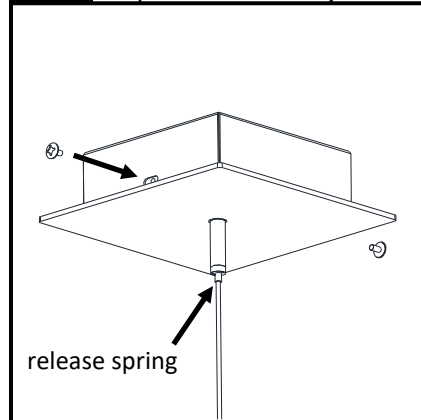
by Signify

9 Housing Cover Installation



Slide housing cover up and over cable gripper.

10 Suspension Cable Adjustment



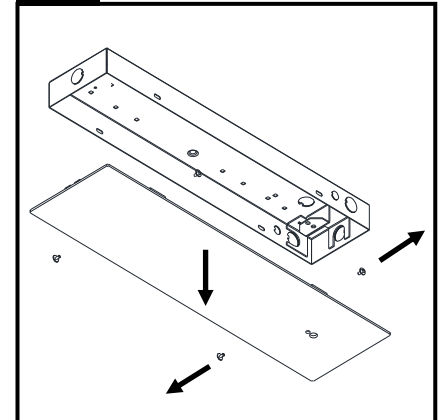
Re-install housing cover and screws removed in step 2. Cable adjustment is done by pressing release spring. Ensure fixture is fully supported before any adjustments are made. After final adjustments, trim excess cable below cover.

11 Fixture Installation

Refer to supplied fixture installation instructions.

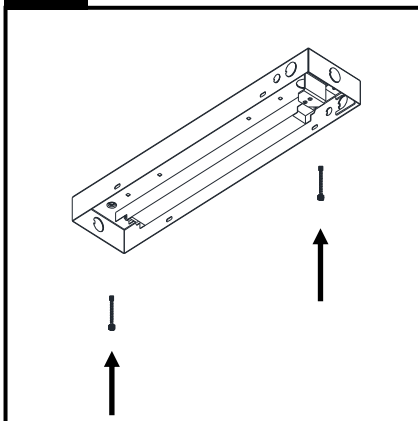
To complete fixture installation, refer to included fixture installation instructions and layout drawings.

12 Driver Pod Installation



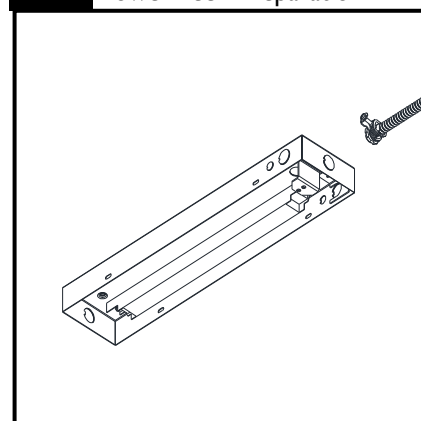
Remove driver pod housing and 4 screws.

13 Driver Pod Installation



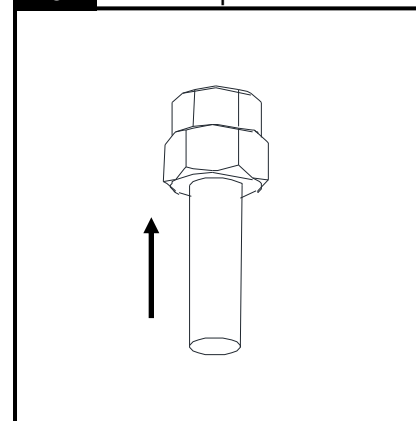
Install driver pod at required mounting location. Attach to structure with appropriate hardware (supplied by others).

14 Power Feed Preparation



Determine required power feed location. Remove 7/8" knockout in housing and attach electrical conduit (supplied by others).

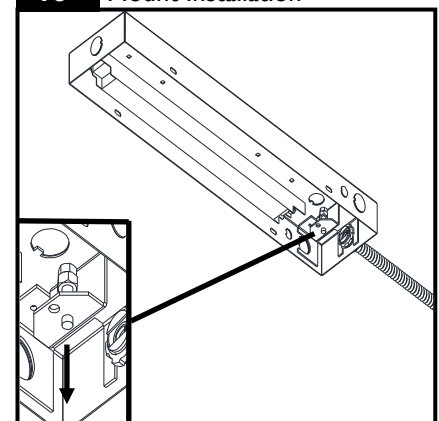
15 Mount Preparation



Prepare 1/4"-20 bolt for installation by attaching 1/4"-20 nut supplied in hardware kit.

Ensure nut is flush with head of bolt as shown.

16 Mount Installation



Insert bolt assembly inside mounting bracket and push through.

IMPORTANT: Ensure bolt location is as shown.

! ATTENTION: Install in accordance with national and local building and electrical codes.

Page 2

R3 Mount Installation Instructions

ID_R3_Mount_Surface

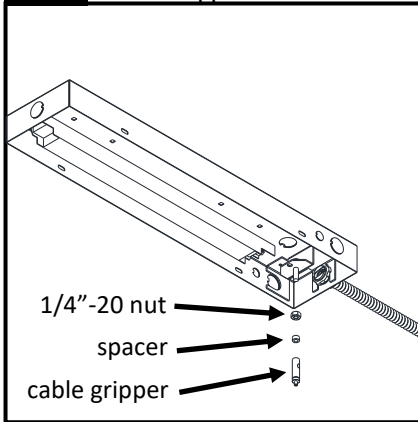
Surface

Remote Driver Mount



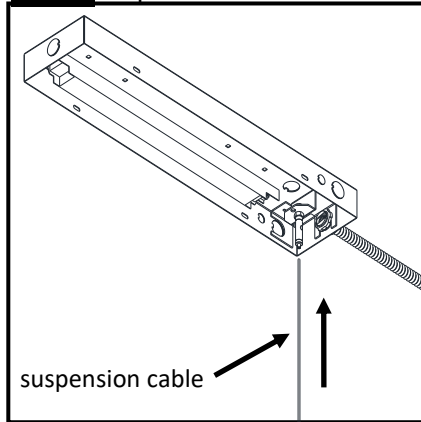
by @signify

17 Cable Gripper Installation



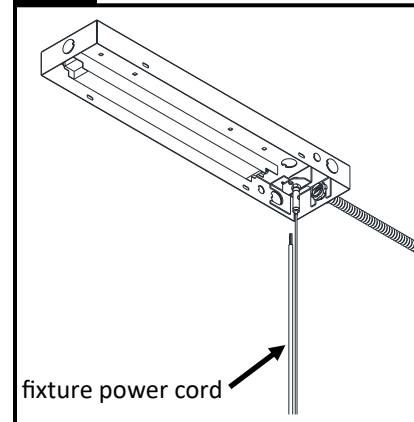
Install 1/4"20 nut and fully tighten against mounting bracket. Install spacer and cable gripper to 1/4"-20 stud. **IMPORTANT:** Fully tighten cable gripper against spacer and 1/4"-20 nut.

18 Suspension Cable Installation



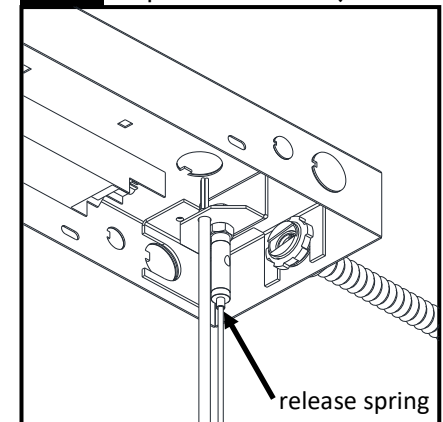
Feed suspension cable through housing cover removed in step 12. Insert cable inside cable gripper and push through exit side. **IMPORTANT:** Ensure end of suspension cable is visible through exit port of cable gripper.

19 Power Cord Installation



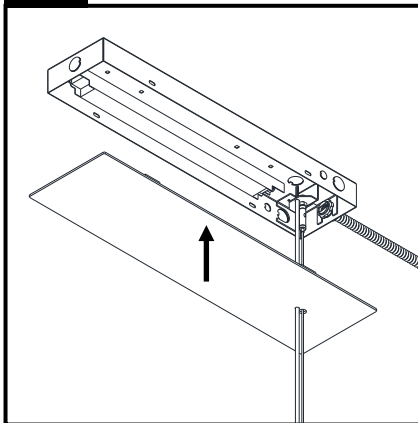
Feed fixture power cord through driver pod cover and driver pod housing mounting bracket. Pull excess cable inside housing. Trim as needed and complete low voltage wiring connections inside driver pod housing.

20 Suspension Cable Adjustment



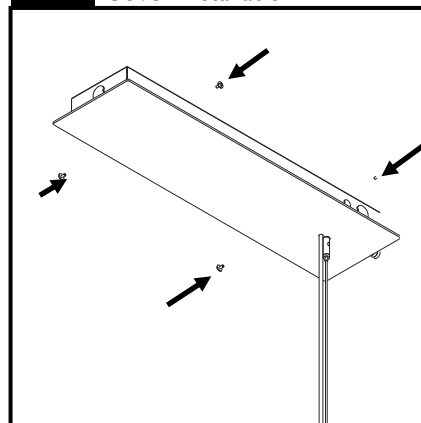
Refer to supplied fixture installation instructions for proper installation. Once fixtures are installed, make any necessary adjustments at the cable gripper by pushing release spring. **IMPORTANT:** Ensure fixture sections are fully supported before adjustments are made.

21 Cover Installation



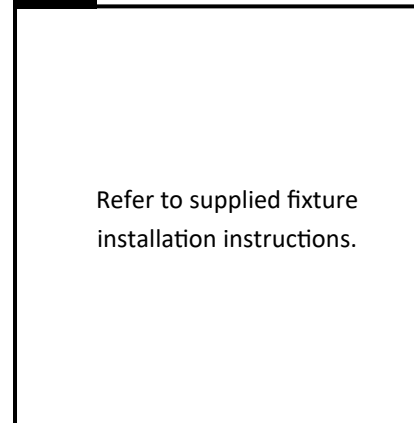
Raise cover to ceiling and align with suspension cable and cable gripper

22 Cover Installation



Secure cover to driver pod housing with 4 screws removed in step 12.

23 Fixture Installation



To complete fixture installation, refer to supplied fixture installation instructions and layout drawings.

! ATTENTION: Install in accordance with national and local building and electrical codes.

Page 3

R5 Mount Installation Instructions

ID_R5_Mount_Grid_Span

Grid Ceiling - 24" Span Mount

Remote Driver Mount



by @signify

1 Mount Installation

Non-power mount installation is covered in steps 2 to 9 of this document.

Power mount installation is covered in steps 11 to 19 of this document.

Refer to supplied layout drawings to determine exact mounting locations.

2 Ceiling Tile Preparation

Refer to supplied layout drawings to determine exact mount location.

From below ceiling, using a hole saw, drill a 1-1/2" or 2" hole in tile at required mounting location.

3 Spanner Bar Installation

Remove adjacent ceiling tile. From above ceiling, locate supplied Caddy spanner bar above mounting location and snap to t-bar grid.

4 Hardware Installation

Install supplied 1/4"-20 bolt, nut and 2 washers as shown. Center above mounting hole and fully tighten to Caddy spanner bar.

5 Spanner Bar Installation

Attach tie off cables (supplied by others) to support spanner bar to structure. From below ceiling, install second 1/4"-20 nut onto 1/4"-20 bolt.

IMPORTANT: Lock spanner bar to t-grid using appropriate hardware (supplied by others).

6 Suspension Cable Installation

IMPORTANT: Ensure bottom of nut is 9/16" away from end of 1/4"-20 bolt.

7 Cable Gripper Installation

Install canopy, spacer and cable gripper as shown. **IMPORTANT:** Fully tighten gripper against 1/4"-20 bolt. From above ceiling, tighten nut against canopy to secure all components.

8 Suspension Cable Installation

Insert suspension cable inside gripper and push through exit side.

IMPORTANT: Ensure end of suspension cable is visible through exit port of cable gripper.

! ATTENTION: Install in accordance with national and local building and electrical codes.

Page 1

R5 Mount Installation Instructions

ID_R5_Mount_Grid_Span

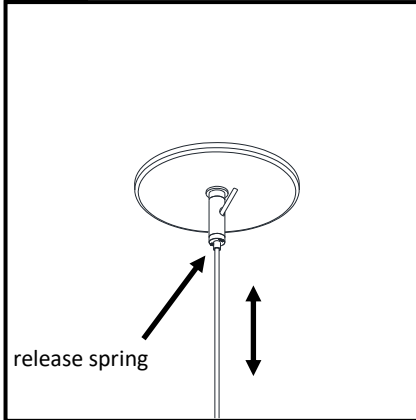
Grid Ceiling - 24" Span Mount

Remote Driver Mount



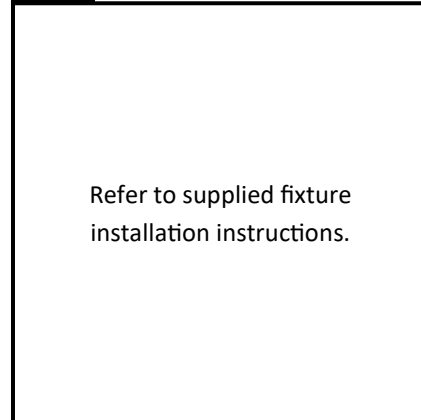
by @signify

9 Suspension Cable Adjustment



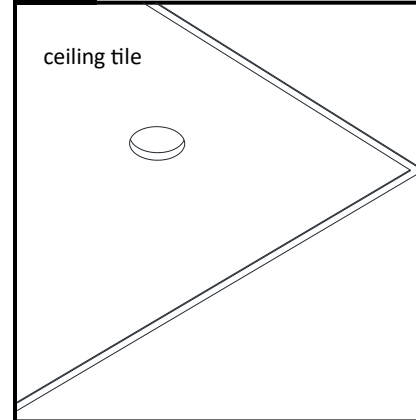
Cable adjustment is done by pressing release spring.
CAUTION: Ensure fixture is fully supported before any adjustments are made. After final adjustments, trim excess cable below canopy.

10 Fixture Installation



To complete fixture installation, refer to supplied fixture installation and layout drawings.

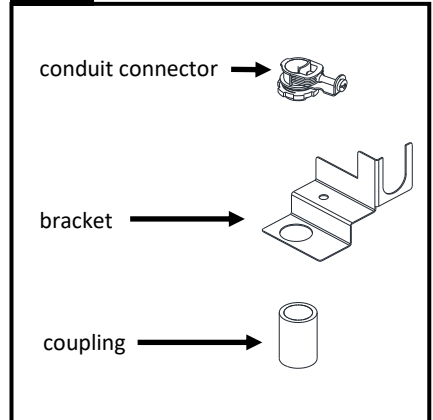
11 Ceiling Tile Preparation



Refer to supplied layout drawings to determine exact mount location.

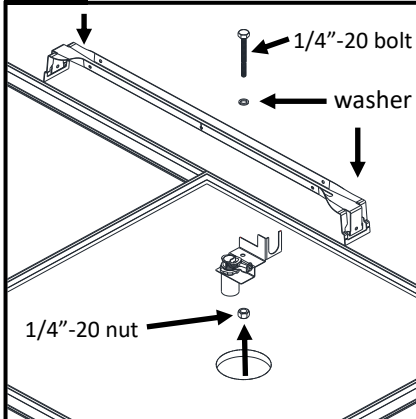
From below ceiling, using a hole saw, drill a 3" hole in ceiling tile at required mounting location.

12 Bracket Installation



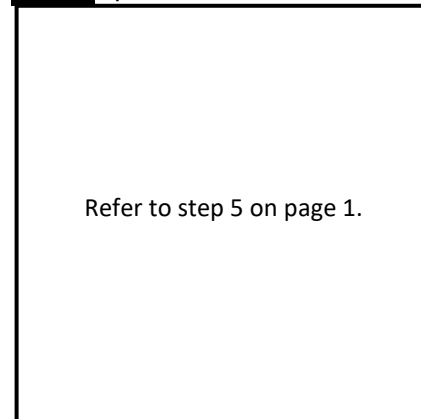
Install conduit connector (supplied by others) and supplied coupling on bracket. Tighten connector against coupling.

13 Spanner Bar Installation



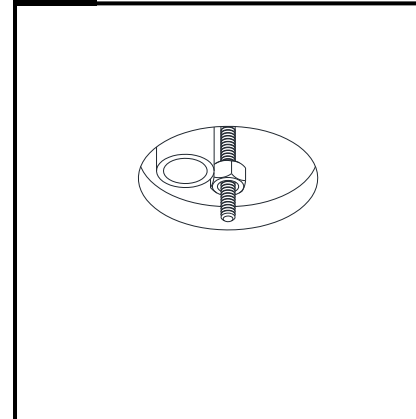
Insert bolt and washer through slot in crossbar. Position bracket assembly under crossbar and feed bolt through center hole. Fully tighten with supplied nut. Center crossbar above mounting hole and snap to t-grid.

14 Spanner Bar Installation



Refer to step 5 on page 1 for spanner bar attachment to t-grid.

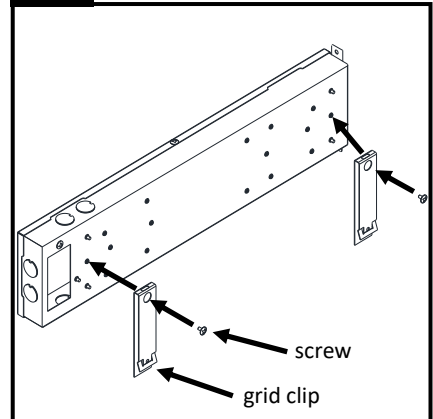
15 Power Feed Installation



From below, install second 1/4"-20 nut supplied in hardware kit.

IMPORTANT: Ensure bottom of nut is 5/16" away from bottom of 1/4"-20 bolt.

16 Driver Pod Installation



Install grid clips as shown using screws supplied in hardware kit.

! ATTENTION: Install in accordance with national and local building and electrical codes.

Page 2

R5 Mount Installation Instructions

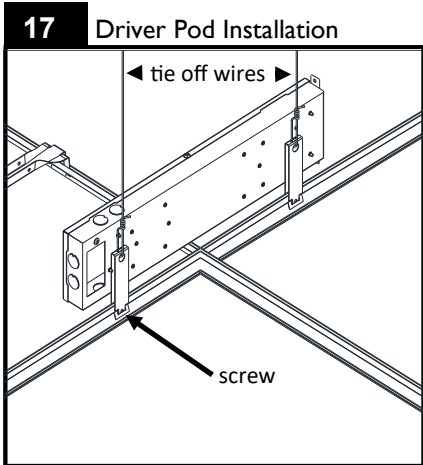
ID_R5_Mount_Grid_Span

Grid Ceiling - 24" Span Mount

Remote Driver Mount

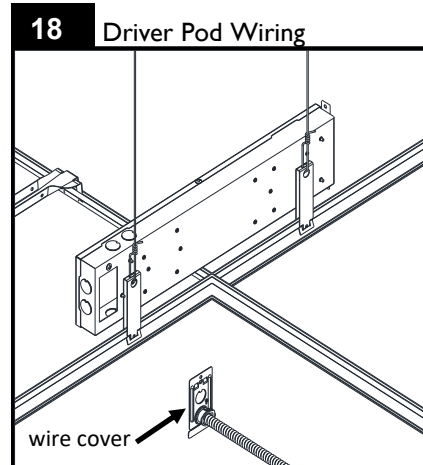


by @signify

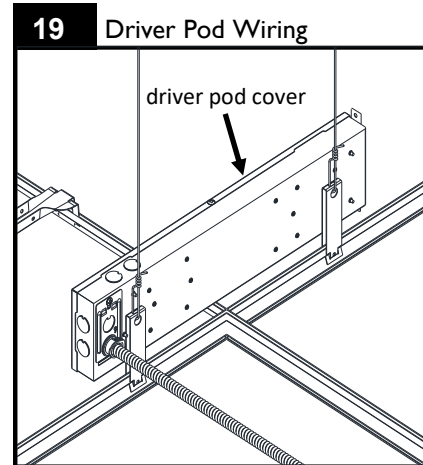


17 Driver Pod Installation
Snap grid clips onto t-bar and secure with appropriate hardware (supplied by others).

Attach tie off wires (supplied by others) to grid clips as shown.

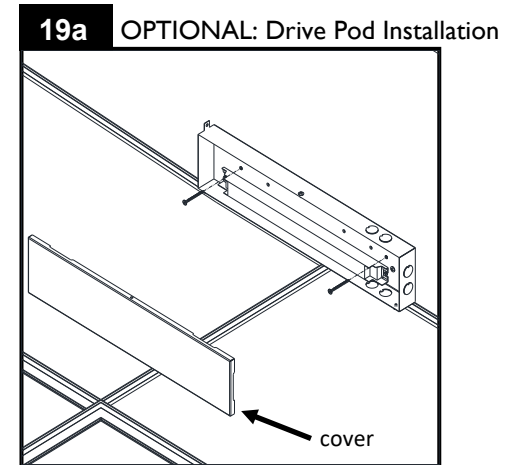


18 Driver Pod Wiring
Attach unjacketed 1/2" flexible conduit (supplied by others) and conduit connector (supplied by others) to supplied wire cover.

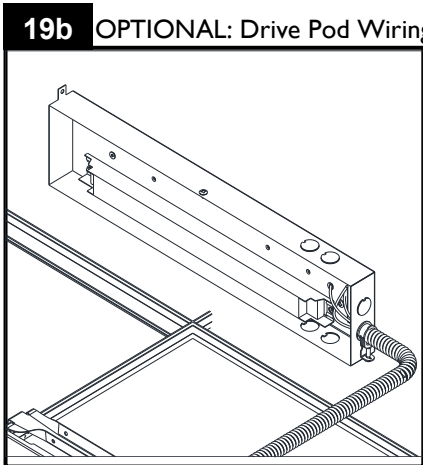


19 Driver Pod Wiring
Tilt and slide wire cover inside driver pod cutout to secure in place.

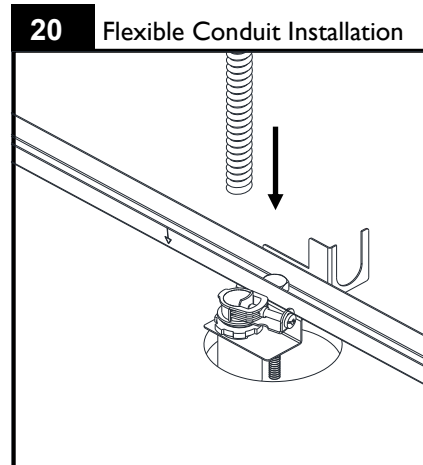
Remove driver pod cover and 3 screws.



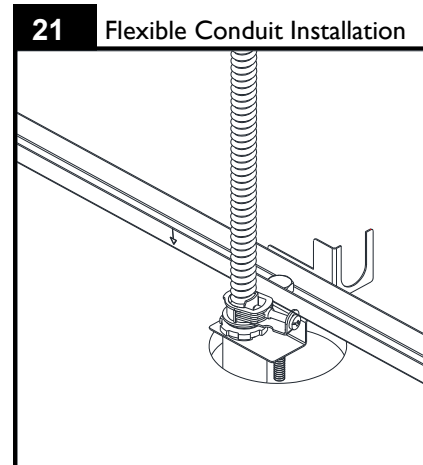
19a OPTIONAL: Drive Pod Installation
Driver pod can also be mounted on a wall above ceiling. For this option, remove cover screws. Ensure wire cover is sealed and attached to back of driver pod housing. Use appropriate hardware (supplied by others) to secure driver pod housing to structure.



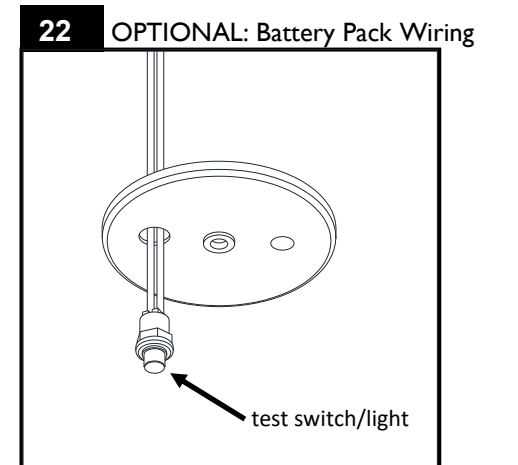
19b OPTIONAL: Drive Pod Wiring
Attach unjacketed 1/2" flexible conduit (supplied by others) and conduit connector (supplied by others) to one of the available knockouts in driver pod housing.



20 Flexible Conduit Installation
Bring flexible conduit above power location and trim excess length.



21 Flexible Conduit Installation
Attach flexible conduit to bracket and conduit connector installed in step 13 on page 2.



22 OPTIONAL: Battery Pack Wiring
For battery pack installation, disconnect test light/switch from driver pod housing. Remove lock nut and install in 1/2" hole in supplied canopy as shown.

! ATTENTION: Install in accordance with national and local building and electrical codes.

Page 3

R5 Mount Installation Instructions

ID_R5_Mount_Grid_Span

Grid Ceiling - 24" Span Mount

Remote Driver Mount



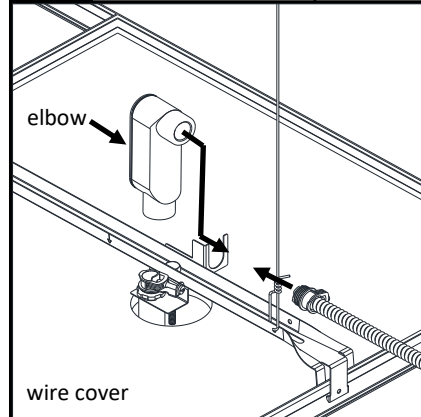
by @signify

23 OPTIONAL: Battery Pack Wiring

Repeat steps 18 & 19 to add one more flexible conduit run for battery pack wiring.

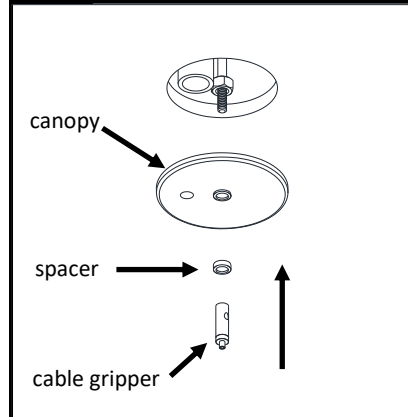
Battery pack installation requires the installation of a second flexible conduit for wiring. This process requires running 2 low voltage wires from driver pod for connection to battery pack test light/switch.

24 OPTIONAL: Battery Pack Wiring



Install supplied conduit elbow to bracket with conduit and connector (supplied by others). Remove elbow cover and have wiring ready for splicing test light/switch installed in canopy in step 22 on page 3. Re-install elbow cover after all connections are done.

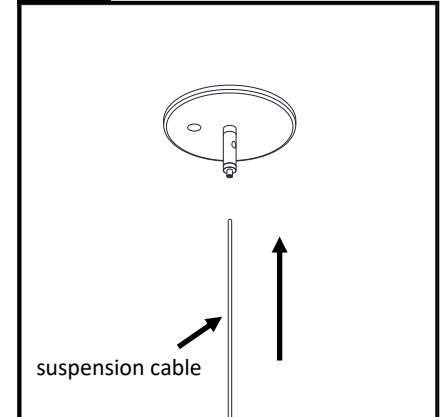
25 Cable Gripper Installation



Align canopy bushing with coupling and install canopy, spacer and cable gripper as shown. Fully tighten gripper against 1/4"-20 bolt.

IMPORTANT: From above ceiling, tighten nut against canopy to secure all components.

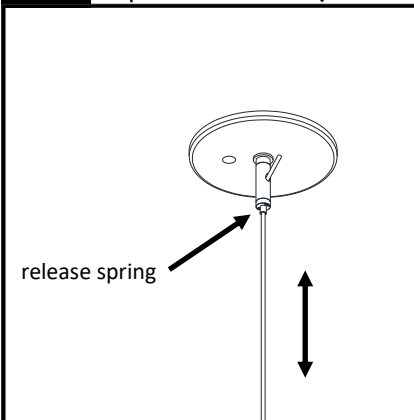
26 Suspension Cable Installation



Insert suspension cable inside gripper and push through exit side.

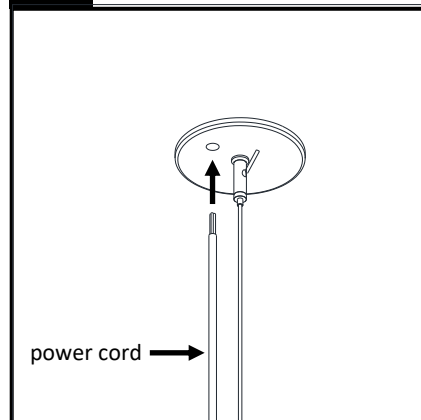
IMPORTANT: Ensure end of suspension cable is visible through exit port of cable gripper.

27 Suspension Cable Adjustment



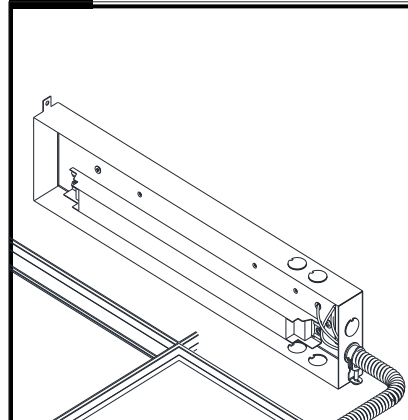
Cable adjustment is done by pressing release spring. **CAUTION:** Ensure fixture is fully supported before any adjustments are made. After final adjustments, trim excess cable below canopy.

28 Power Cord Installation



Insert fixture low voltage power cord through canopy hole and feed all the way into driver pod housing for wiring connections.

29 Power Cord Installation



Trim excess power cord and complete wiring connections inside driver pod housing.

After all connections are complete, re-install driver pod cover and screws removed in step 19.

30 Fixture Installation

Refer to supplied fixture installation instructions.

To complete fixture installation, refer to supplied fixture installation instructions and layout drawings.

! ATTENTION: Install in accordance with national and local building and electrical codes.

Page 4

R6 Mount Installation Instructions

ID_R6_Mount_On_Grid

Grid Ceiling - On Grid

Remote Driver Mount



by @signify

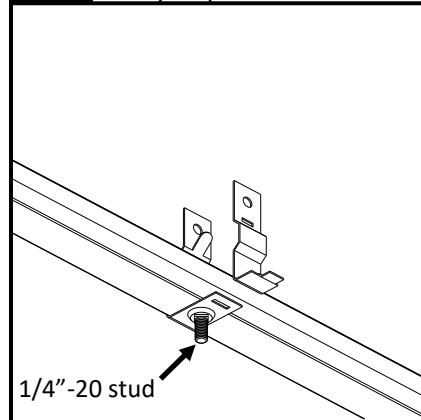
1 Mount Installation

Non-power mount installation is covered in steps 2 to 7 of this document.

Power mount installation is covered in steps 9 to 22 of this document.

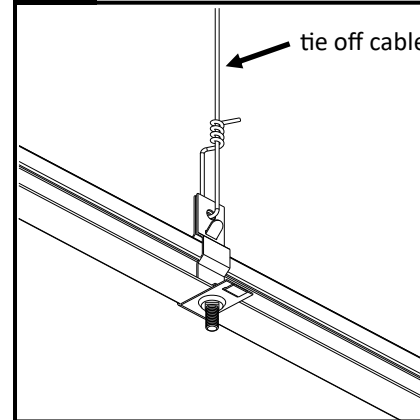
Refer to supplied layout drawings to determine exact mounting locations.

2 Caddy Clip Installation



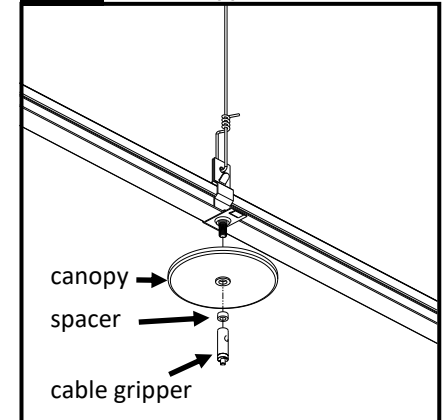
Separate Caddy clip assembly from supplied hardware kit. Install stud in bottom half as shown. **IMPORTANT:** Insert top clip in bottom piece, rotate and click closed around t-grid. Ensure the 2 pieces are locked together before next step.

3 Caddy Clip Installation



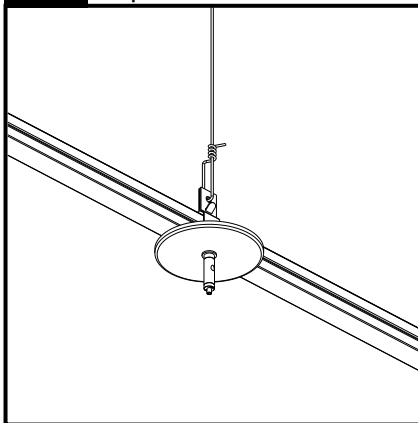
IMPORTANT: Secure Caddy clip to structure using approved tie off cable (supplied by others).

4 Cable Gripper Installation



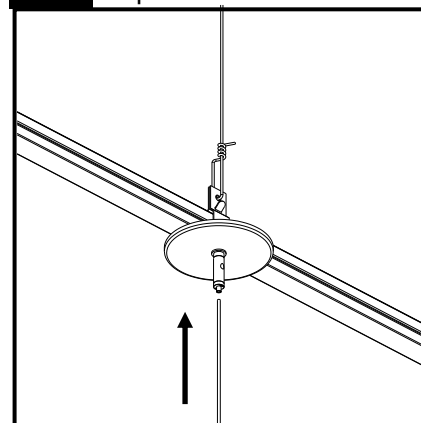
Install canopy, spacer and thread cable gripper onto Caddy clip 1/4"-20 stud.

5 Suspension Cable Installation



IMPORTANT: Ensure cable gripper is fully tightened against spacer and Caddy clip before installing fixture.

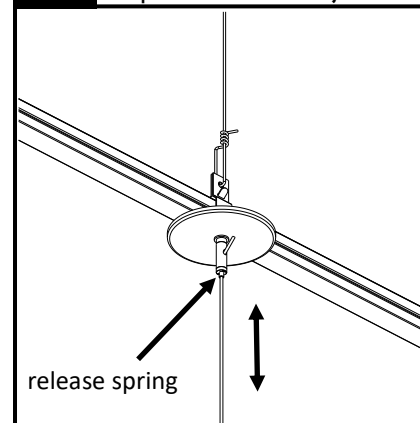
6 Suspension Cable Installation



Insert suspension cable inside gripper and push through exit side.

IMPORTANT: Ensure end of suspension cable is visible through exit port of cable gripper.

7 Suspension Cable Adjustment



Cable adjustment is done by pressing release spring. **CAUTION:** Ensure fixture is fully supported before any adjustments are made. After final adjustments, trim excess cable below canopy. Notch ceiling tile around Caddy clip and install.

8 Fixture Installation

Refer to supplied fixture installation instructions.

To complete fixture installation, refer to supplied fixture installation instructions and layout drawings.

! ATTENTION: Install in accordance with national and local building and electrical codes.

Page 1

R6 Mount Installation Instructions

ID_R6_Mount_On_Grid

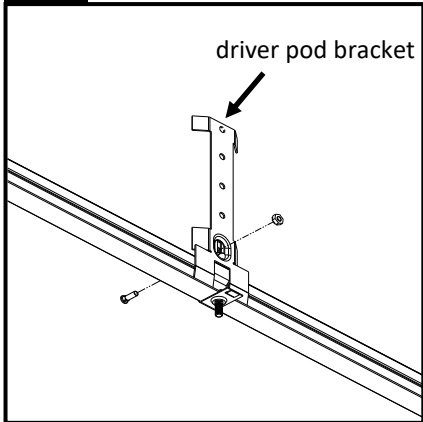
Grid Ceiling - On Grid

Remote Driver Mount



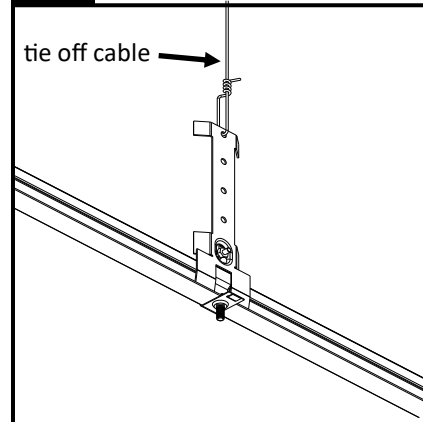
by @signify

9 Driver Pod Bracket Installation



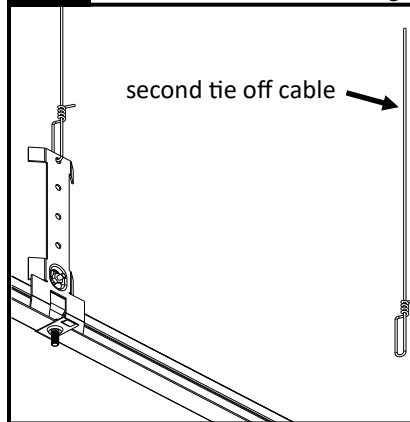
Secure driver pod bracket to Caddy clip using hex nut and square head bolt supplied in mounting kit. Ensure parts are oriented and installed as shown.

10 Driver Pod Bracket Installation



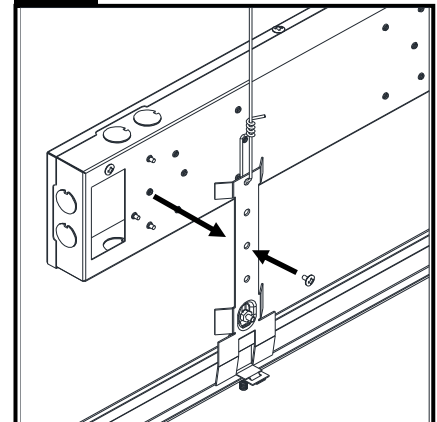
IMPORTANT: Secure driver pod bracket to structure using approved tie off cable (supplied by others).

11 Wall Rail Installation 4" Regress



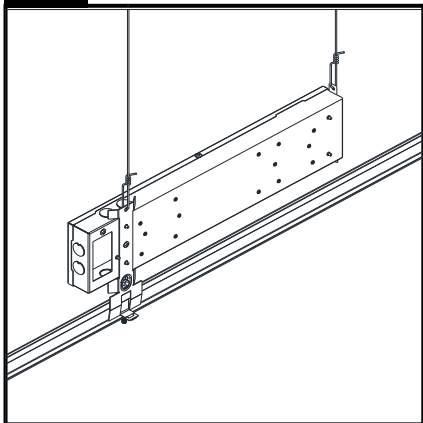
Install another tie off cable approximately 17 inches away from first tie off cable.

12 Driver Pod Installation



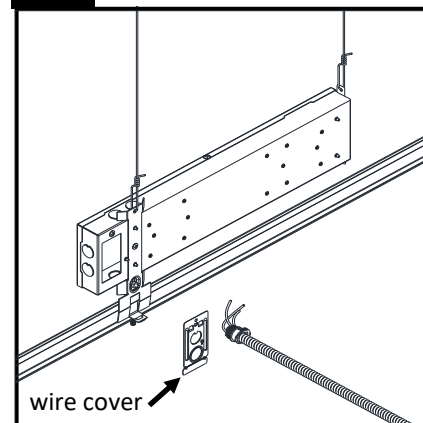
Secure driver pod box to bracket using sheet metal screw supplied in hardware kit.

13 Driver Pod Installation



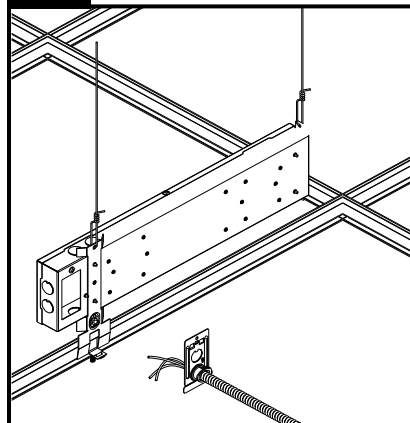
Ensure driver pod is secure to bracket.

14 Power Feed Installation



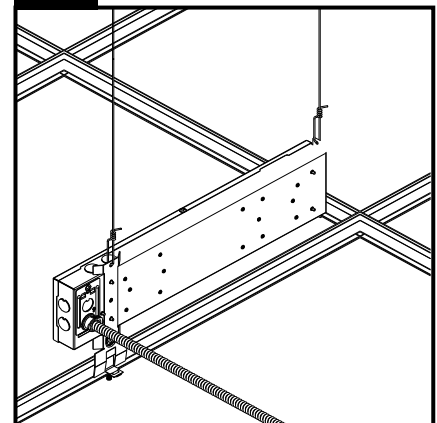
Bring power supply conduit (supplied by others) and open wire cover supplied in hardware kit.

15 Power Feed Installation



Connect power feed to wire cover.

16 Power Feed Installation



Insert wire cover and slide in position to lock inside driver pod housing.

! **ATTENTION: Install in accordance with national and local building and electrical codes.**

Page 2

R6 Mount Installation Instructions

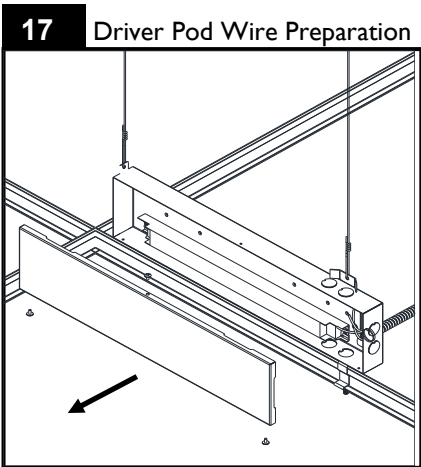
ID_R6_Mount_On_Grid

Grid Ceiling - On Grid

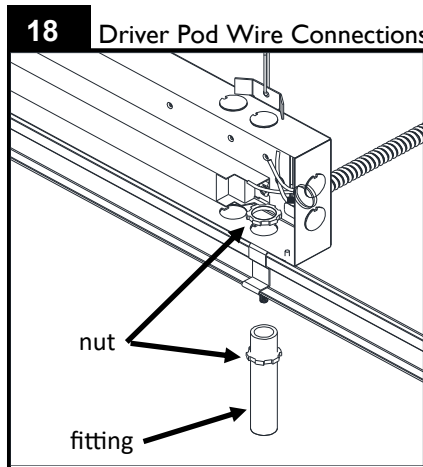
Remote Driver Mount



by @signify

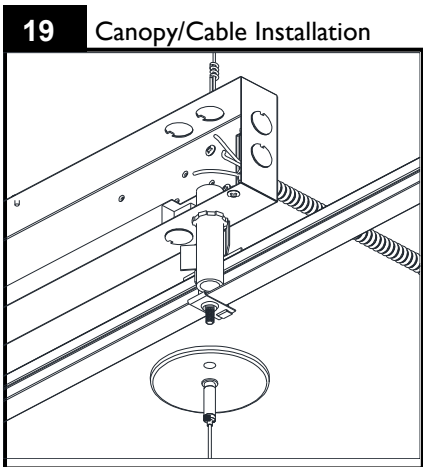


Remove driver pod cover and 3 screws.



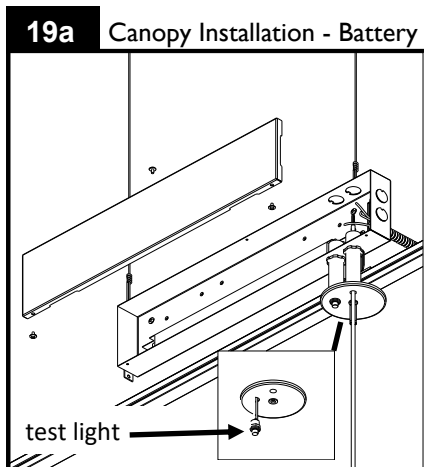
Remove knockout at power feed location. Install nut on fitting supplied in mounting kit.

Ensure nut is installed to bottom of threaded section. Secure fitting inside driver pod housing with second nut. Ensure fitting is tight.

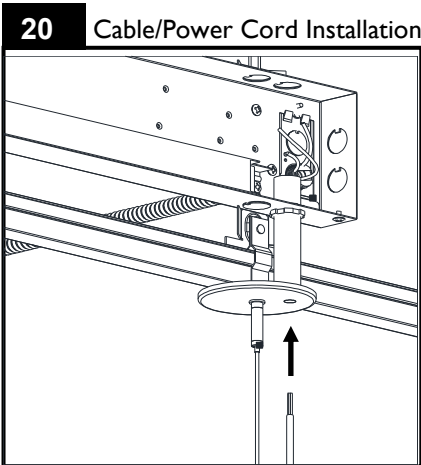


Refer to steps 4 to 8 on page 1 for attachment of canopy, spacer and suspension cable.

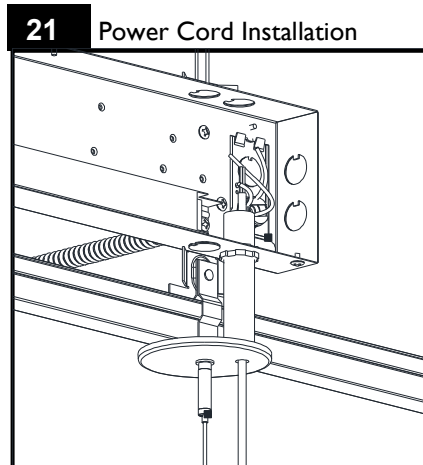
Ensure canopy power entry bushing is aligned with fitting inside driver pod.



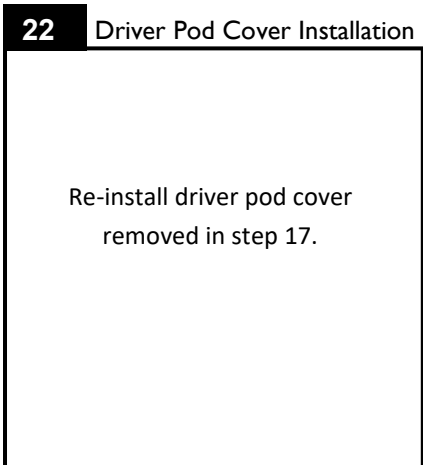
For battery pack option, remove test light/switch from driver pod. Install in canopy next to power feed hole. Install second fitting provided in mount kit next to power feed fitting. Refer to steps 4 to 8 on page 1 for attachment of canopy, spacer and suspension cable. Re-connect test light/switch wiring.



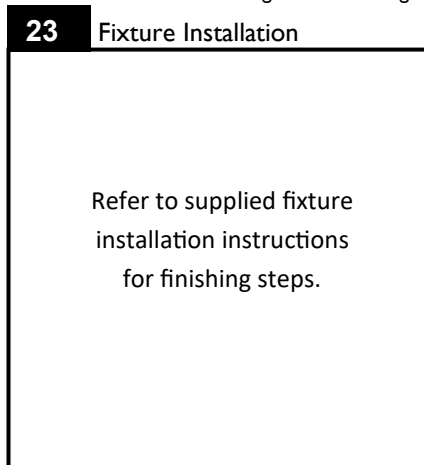
Feed power cord through canopy and fitting inside the driver pod housing.



Pull excess wire inside driver pod housing. Trim to required length and complete electrical connections.



Notch ceiling tile as required to clear power feed fittings. Install ceiling tile below driver pod.



! ATTENTION: Install in accordance with national and local building and electrical codes. **Page 3**