

## **INSTALLATION INSTRUCTIONS - GENERAL**

---

### **IMPORTANT SAFEGUARDS**

- THIS PRODUCT MUST BE INSTALLED IN ACCORDANCE WITH THE APPLICABLE INSTALLATION CODE BY A PERSON FAMILIAR WITH THE CONSTRUCTION AND OPERATION OF THE PRODUCT AND THE HAZARDS INVOLVED.
- DISCONNECT POWER BEFORE BEGINNING INSTALLATION.
- FIXTURE MUST BE INSTALLED IN COMPLIANCE WITH THE NATIONAL ELECTRIC CODE AND ANY LOCAL CODES.
- TO BE INSTALLED ONLY BY A QUALIFIED ELECTRICIAN.
- PROPER GROUNDING IS REQUIRED TO INSURE PERSONAL SAFETY.
- READ ALL FIXTURE MARKINGS AND LABELS TO ENSURE CORRECT INSTALLATION OF FIXTURE
- RISK OF FIRE, USE A MINIMUM OF 90C SUPPLY CONNECTORS.
- MAXIMUM MOUNTING HEIGHT OF 8 FT. WHEN AN EMERGENCY PACK IS PROVIDED

### **SAVE THESE INSTRUCTIONS**

---

### **SURFACE MOUNT INSTALLATION**

- REMOVE SCREWS SECURING DOOR OR LENS TO HOUSING.
  - REMOVE HARDWARE SECURING REFLECTOR ASSEMBLY TO HOUSING.
  - LOCATE MOUNTING HOLES IN HOUSING AND POSITION OVER J-BOX (IF APPLICABLE). MARK HOLE LOCATIONS AND DRILL HOLES IN MOUNTING SURFACE.
  - REMOVE DESIRED K.O. ON BACK OF THE HOUSING.
  - POSITION HOUSING OVER J-BOX (IF APPLICABLE) AND CONNECT HOT, NEUTRAL, AND GROUND WIRES TO BUILDING CONDUCTORS.
  - FASTEN HOUSING TO MOUNTING SURFACE USING APPROPRIATE HARDWARE.
  - REASSEMBLE REFLECTOR ASSEMBLY TO HOUSING AND INSTALL LAMPS (IF APPLICABLE).
  - REASSEMBLE DOOR TO HOUSING.
  - CAULK BETWEEN MOUNTING SURFACE AND FIXTURE (IF NECESSARY) TO SEAL THE UNIT IN UNIQUE SURFACE CONDITIONS.
- 



Specifications and dimensions are subject to change without notice. For additional options and dimensional details please consult your Philips Lighting Representative.

INS10100

Signify North America Corporation  
200 Franklin Square Drive  
Somerset, NJ 08873, USA  
Phone: 855-486-2216

Signify Canada Ltd./Signify Canada Ltee. October, 2018  
281 Hillmount Road  
Markham ON, Canada L6C 2S3  
Phone: 800-668-9008

## **INSTALLATION INSTRUCTIONS - GENERAL**

---

### **RECESSED FLANGE INSTALLATION**

- CUT APPROPRIATE SIZE OPENING IN CEILING.
  - INSTALL BLOCKING AROUND THE OPENING WITH THE INSIDE EDGE FLUSH WITH THE CUT OPENING.
  - OPEN THE DOOR AND REMOVE BALLAST/DRIVER COVER.
  - POSITION FIXTURE JUST BELOW THE CEILING OPENING AND CONNECT HOT, NEUTRAL, AND GROUND WIRES TO BUILDING CONDUCTORS.
  - INSERT THE HOUSING INTO CEILING OPENING WITH SWING ARMS PARALLEL TO HOUSING.
  - TURN SWING ARM SCREWS (4) UNTIL FIXTURE IS SNUG AGAINST CEILING.
  - REASSEMBLE BALLAST/DRIVER COVER TO HOUSING AND INSTALL LAMPS (IF APPLICABLE).
  - REASSEMBLE DOOR TO HOUSING.
- 

### **RECESSED GRID INSTALLATION**

- FIXTURE IS DESIGNED FOR 1.00" X 1.50" "T" BAR GRID SYSTEM WITH VERTICAL "T" GRID THICKNESS LESS THAN 0.25". GRID SYSTEM CAN BE INSTALLED WITH STANDARD 12, 24 OR 48 INCH CENTER TO CENTER SPACING OF GRID.
  - OPEN THE DOOR AND REMOVE BALLAST/DRIVER COVER.
  - ANGLE FIXTURE THROUGH THE OPENING IN THE GRID CEILING.
  - REST FIXTURE ON A GRID.
  - IF FIXTURE WEIGHTS OVER 50 LBS. SHOULD BE FASTENED TO THE CEILING GRID SYSTEM OR TO THE CEILING STRUCTURE ABOVE THE SUSPENDED CEILING BY USING THREADED ROD OR STEEL WIRES APPROPRIATE FOR THE WEIGHT OF THE FIXTURE.
  - CONNECT HOT, NEUTRAL, AND GROUND WIRES TO BUILDING CONDUCTORS.
  - REASSEMBLE BALLAST/DRIVER COVER TO HOUSING AND INSTALL LAMPS (IF APPLICABLE).
  - REASSEMBLE DOOR TO HOUSING.
-

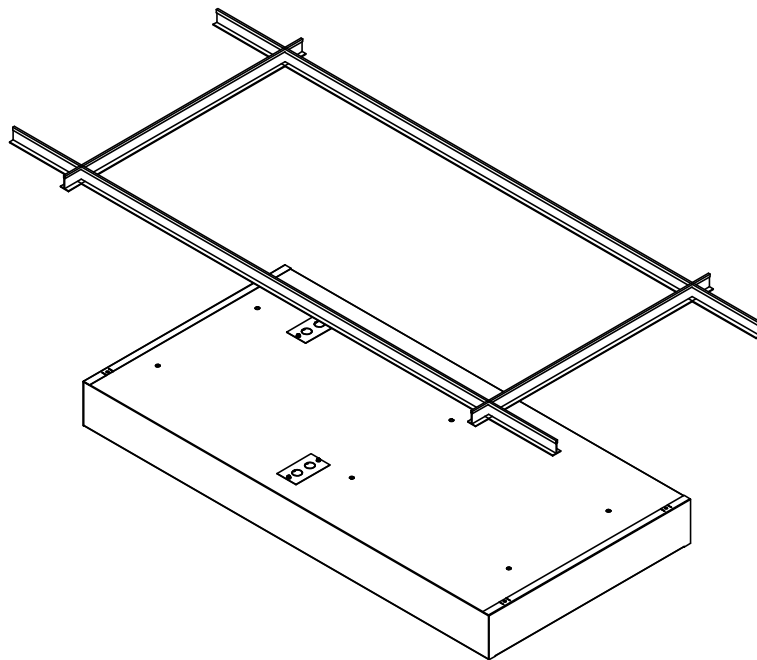
# ME242G & ME243G Installation Instructions

## IMPORTANT SAFE GUARDS:

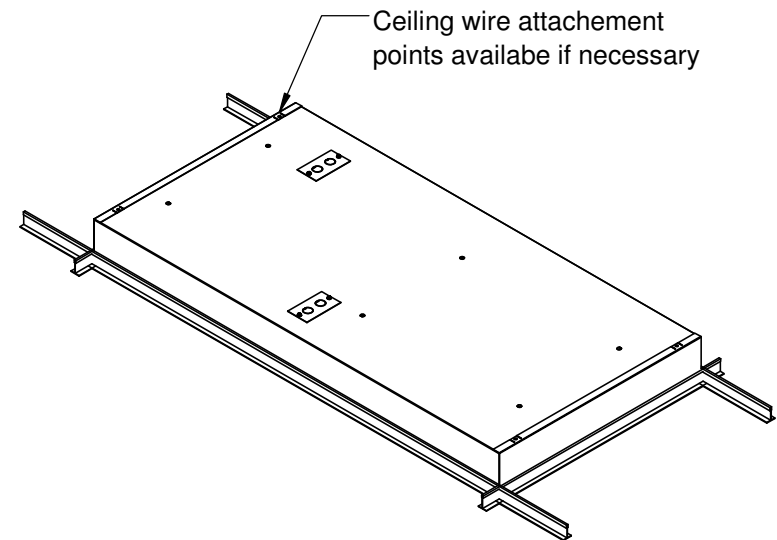
- THIS PRODUCT MUST BE INSTALLED IN ACCORDANCE WITH THE APPLICABLE INSTALLATION CODE BY A PERSON FAMILIAR WITH THE CONSTRUCTION AND OPERATION OF THE PRODUCT AND THE HAZARDS INVOLVED.
- DISCONNECT POWER BEFORE BEGINNING INSTALLATION.
- FIXTURE MUST BE INSTALLED IN COMPLIANCE WITH THE NATIONAL ELECTRIC CODE AND ANY LOCAL CODES.
- TO BE INSTALLED ONLY BY A QUALIFIED ELECTRICIAN.
- PROPER GROUNDING IS REQUIRED TO INSURE PERSONAL SAFETY.
- READ ALL FIXTURE MARKINGS AND LABELS TO ENSURE CORRECT INSTALLATION OF FIXTURE.
- RISK OF FIRE, USE A MINIMUM OF 90C SUPPLY CONNECTORS.
- MAXIMUM MOUNTING HEIGHT OF 8FT. WHEN AN EMERGENCY PACK IS PROVIDED

## INSTALLATION INSTRUCTIONS:

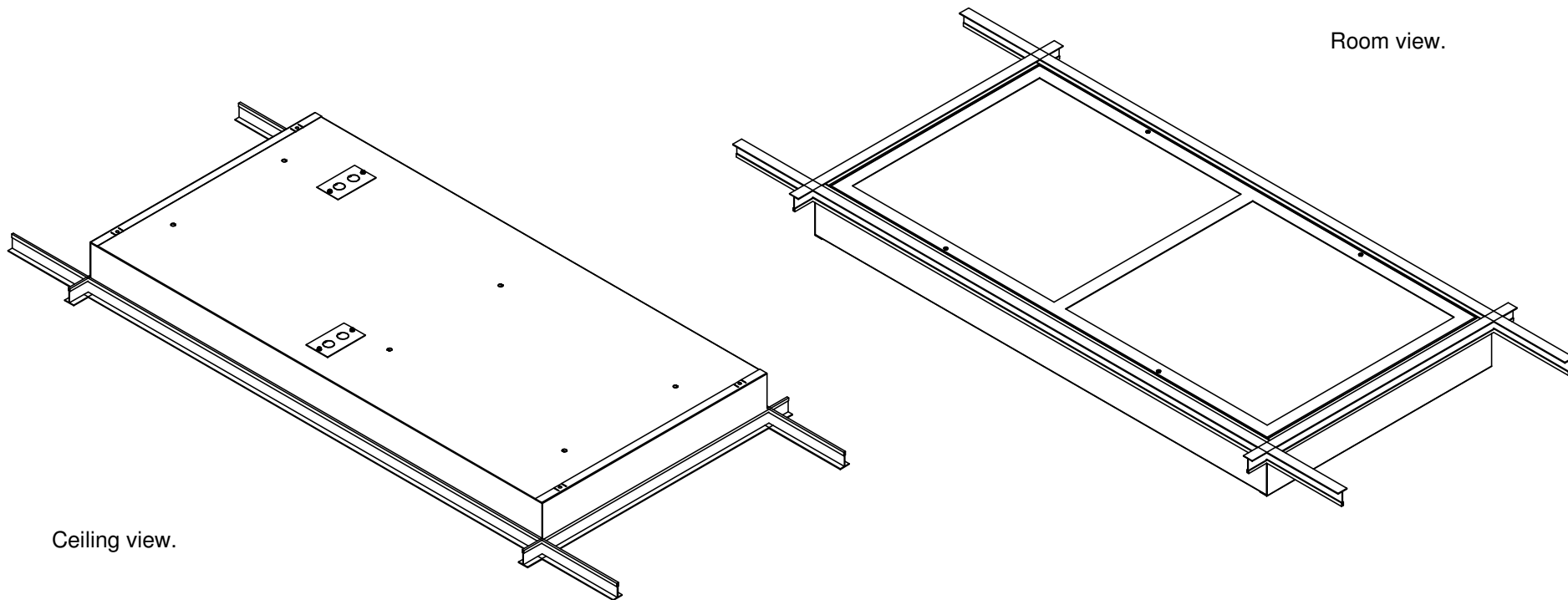
1. Raise fixture into grid ceiling.



2. Adjust as necessary to center fixture in grid.



# ME242G & ME243G Installation Instructions



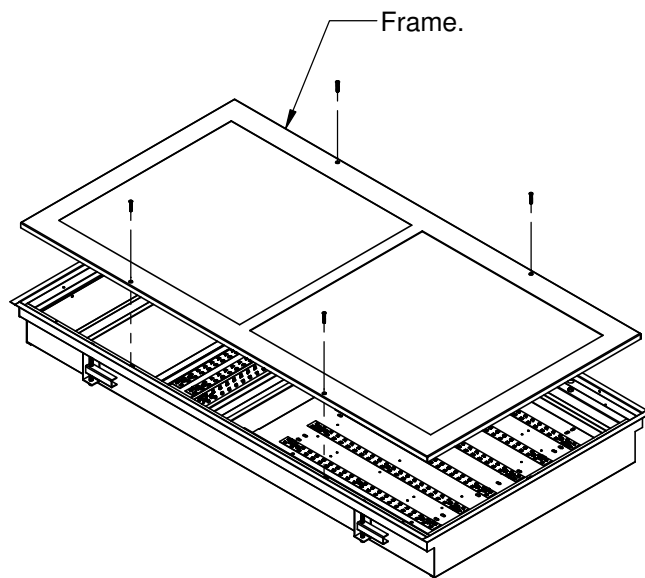
# ME242F & ME243F Installation Instructions

## IMPORTANT SAFE GUARDS:

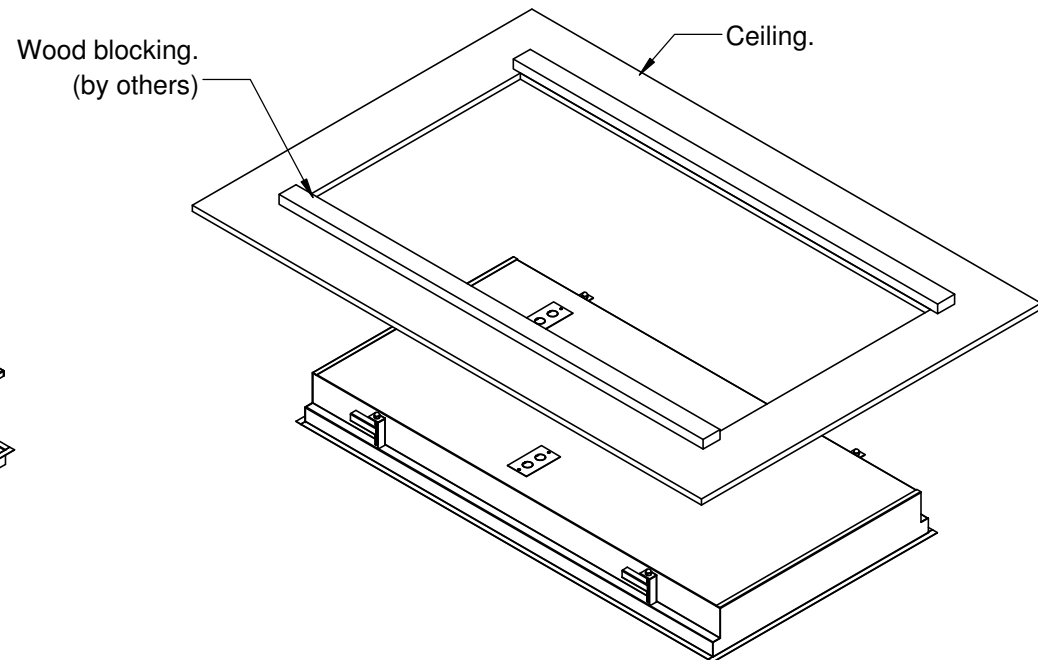
- THIS PRODUCT MUST BE INSTALLED IN ACCORDANCE WITH THE APPLICABLE INSTALLATION CODE BY A PERSON FAMILIAR WITH THE CONSTRUCTION AND OPERATION OF THE PRODUCT AND THE HAZARDS INVOLVED.
- DISCONNECT POWER BEFORE BEGINNING INSTALLATION.
- FIXTURE MUST BE INSTALLED IN COMPLIANCE WITH THE NATIONAL ELECTRIC CODE AND ANY LOCAL CODES.
- TO BE INSTALLED ONLY BY A QUALIFIED ELECTRICIAN.
- PROPER GROUNDING IS REQUIRED TO INSURE PERSONAL SAFETY.
- READ ALL FIXTURE MARKINGS AND LABELS TO ENSURE CORRECT INSTALLATION OF FIXTURE.
- RISK OF FIRE, USE A MINIMUM OF 90C SUPPLY CONNECTORS.
- MAXIMUM MOUNTING HEIGHT OF 8FT. WHEN AN EMERGENCY PACK IS PROVIDED

## INSTALLATION INSTRUCTIONS:

1. Remove frame.



2. Place housing in ceiling.



**Day-Brite**  
**CFI**

Signify North America Corporation  
200 Franklin Square Drive  
Somerset, NJ 08873, USA  
Phone: 855-486-2216

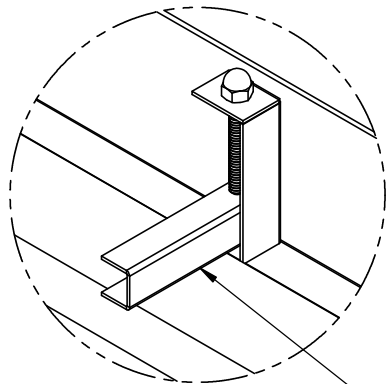
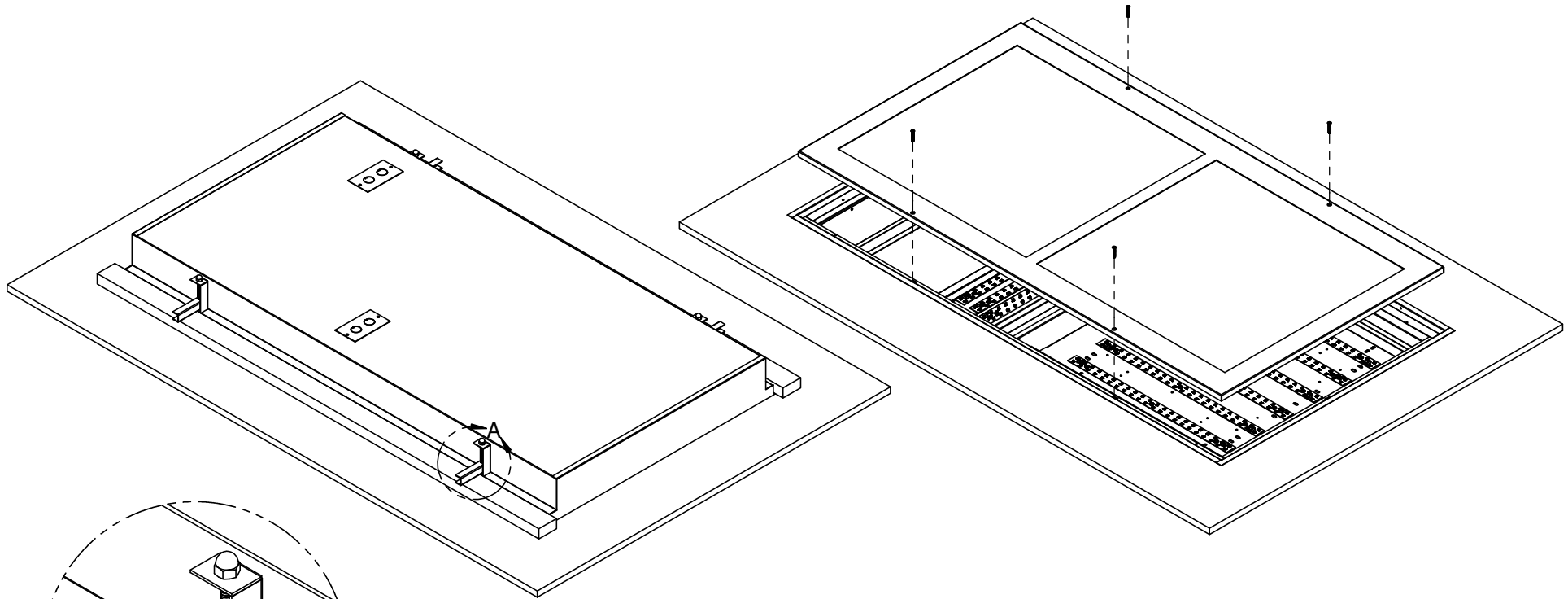
Signify Canada Ltd./Signify Canada Ltee.  
281 Hillmount Road  
Markham ON, Canada L6C 2S3  
Phone: 800-668-9008

INS10201  
October, 2018  
Page 1 of 3

# ME242F & ME243F Installation Instructions

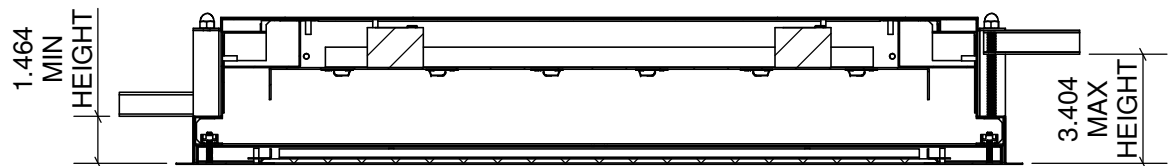
3. Adjust swing arms accordingly.

4. Re-attach frame.



Swing arm.

DETAIL A  
SCALE 1 : 3



1.464  
MIN  
HEIGHT

3.404  
MAX  
HEIGHT

# ME242F & ME243F Installation Instructions

