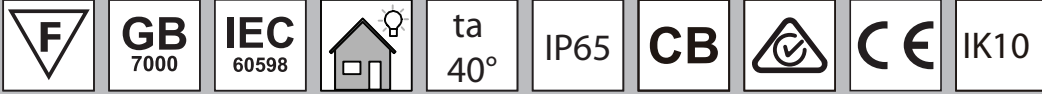


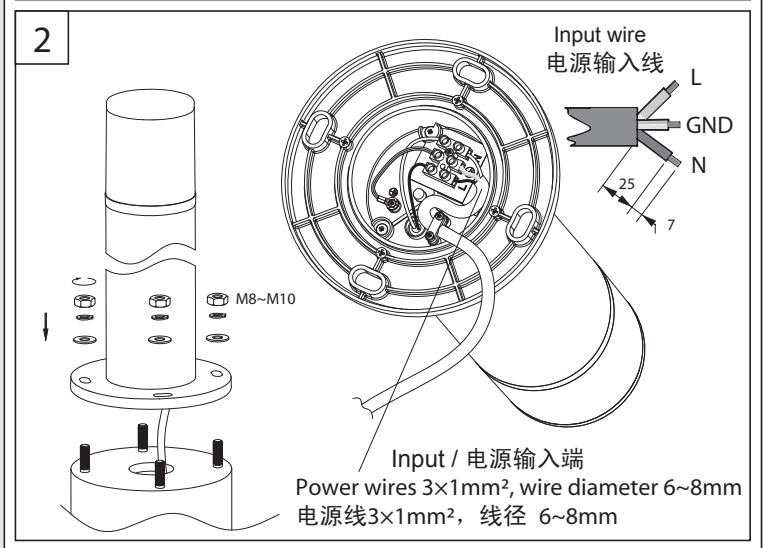
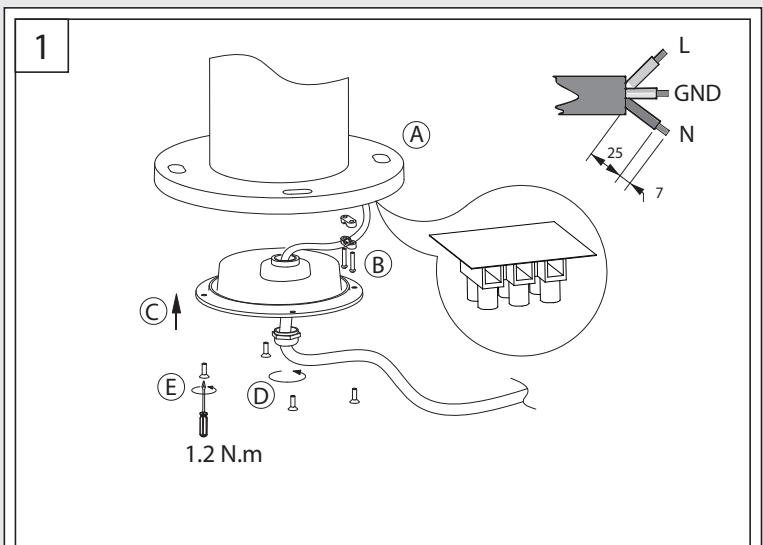
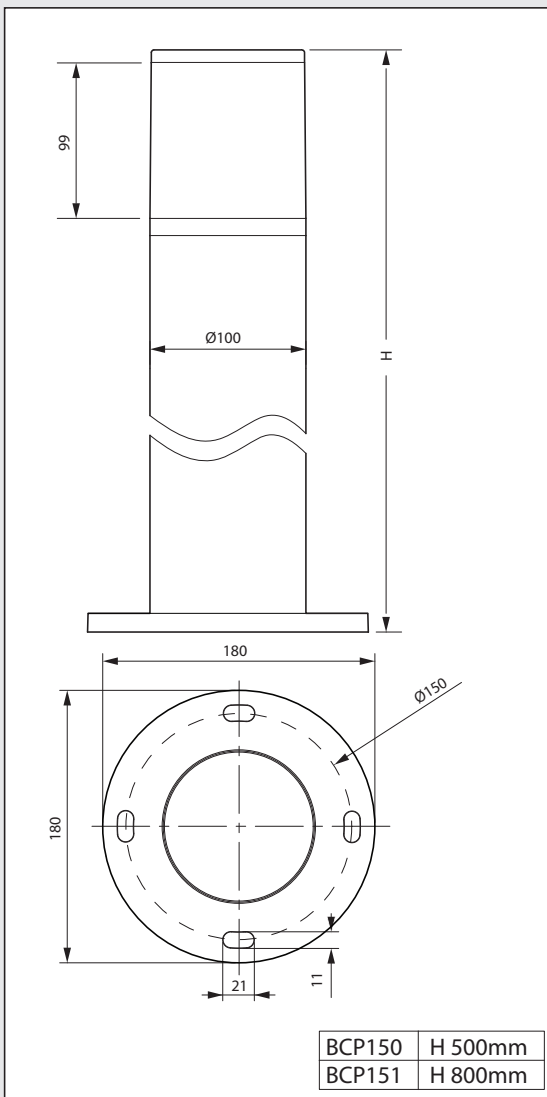
LED Bollard II / LED 草坪灯

BCP150/151

Mounting instruction 安装说明



Type Number 产品型号	LEDs 颗粒数	Power 功率	Voltage 电压	Frequency 频率	Color Temperature 色温	Height 高度 (mm)	kg
BCP150 LED150/WW PSU	96	8W	220-240V	50/60 Hz	3000 K	500	1.32
BCP150 LED150/NW PSU	96	8W	220-240V	50/60 Hz	4000 K	500	1.32
BCP151 LED150/WW PSU	96	8W	220-240V	50/60 Hz	3000 K	800	1.85
BCP151 LED150/NW PSU	96	8W	220-240V	50/60 Hz	4000 K	800	1.85



- The luminaire shall be installed by a qualified electrician and wired in accordance with the latest IEE electrical regulations or the national requirements.
灯具应由有资格的电工安装，接线要符合IEE电气标准或国家标准。
- The luminaire shall, under no circumstance, be covered with thermal insulation matting or similar material.
灯具不能被隔热或类似材料覆盖。
- Do not switch on before complete installation.
接线过程中，切勿通电。

Philips Lighting Luminaires (Shanghai) Co., Ltd.
Address: No. 2688, Huyi Road, Jiading, Shanghai, China
Postalcode: 201801

飞利浦灯具（上海）有限公司
地址：中国上海市嘉定区马陆镇沪宜公路2688号
邮编：201801

PHILIPS