

READ AND UNDERSTAND THESE INSTRUCTIONS BEFORE INSTALLING FIXTURE

This fixture is intended for installation in accordance with the National Electrical Code and local regulations. To assure full compliance with local codes and regulations, check with your local electrical inspector before installation. To prevent electrical shock, turn off electricity at fuse box before proceeding. Retain these instructions for maintenance reference.

INSTRUCTION SHEET NO.

IS:6282

R0892 Page 1 of 2

**INSTALLATION FOR ATTACHING LYTESPOT® TO LYTESPAN® TRACK
FOR USE WITH LYTESPAN® TRACK SYSTEMS ONLY**

INSTRUCTIONS FOR ATTACHING LYTESPOT® TO SINGLE CIRCUIT TRACK SYSTEM

1. Insert into LYTESPAN TRACK (see Fig. 1). LOCKING LEVER must be on the same side of track as BEAD.
2. Rotate FITTING 90° clockwise (see Fig. 2).
3. Rotate FITTING until LOCKING LEVER snaps and locks in place (see Fig. 3).
4. To remove: depress LOCKING LEVER, then rotate FITTING 90° counterclockwise.

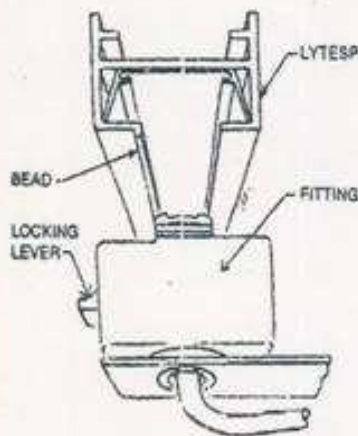


FIG. 1

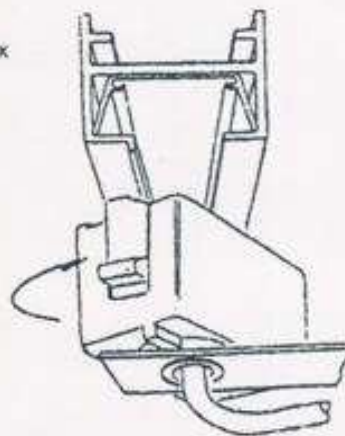


FIG. 2

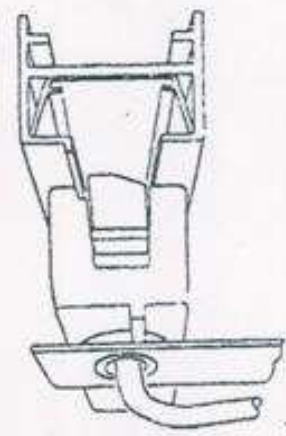


FIG. 3

**INSTRUCTIONS FOR CONVERTING LYTESPOT® ATTACHMENT FITTING
TO OPERATE ON 2 CIRCUIT TRACK**

See Fig. 4. BRASS CONTACT can be raised or lowered. Broken line indicates position for 1 circuit track or lower circuit of 2 circuit track system.

To convert attachment FITTING for upper circuit of 2 circuit track, raise BRASS CONTACT to high position by lifting CONTACT as high as stop permits and CONTACT clicks into place.

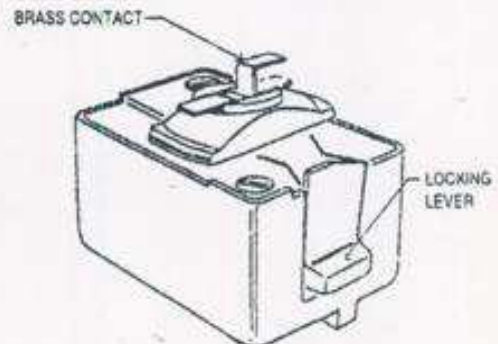


FIG. 4

SEE BACK FOR LAMPING

INSTRUCTION SHEET NO.

IS:6282

R0892 Page 2 of 2

INSTRUCTIONS FOR LAMPING FIGS. 5, 6, 7

1. Make sure power is OFF when lamping or relamping.
2. Remove INNER RING from OUTER RING by pulling straight out (Fig. 7).
3. Insert LAMP into INNER RING until (3) LAMP SPRINGS engage fully (Figs. 5 and 6).
4. Screw LAMP with INNER RING into SOCKET ASSEMBLY as shown (Fig. 7).
5. Engage INNER RING & LAMP ASSEMBLY into OUTER RING lining up (2) NOTCHES with (2) YOKE SPACERS. The (3) LAMP SPRINGS will hold the assembly together. (Fig. 7)

NOTE: Lamp wattage 75W max. PAR30 (Sylvania or G.E.)

ADDING LOUVER 8569 WITH 56457 SPRINGS

With INNER RING removed, attach SPRINGS to OUTER RING, positioning SPRINGS 120° apart. Push INNER RING with LAMP into OUTER RING. Snap LOUVER onto SPRINGS as shown.

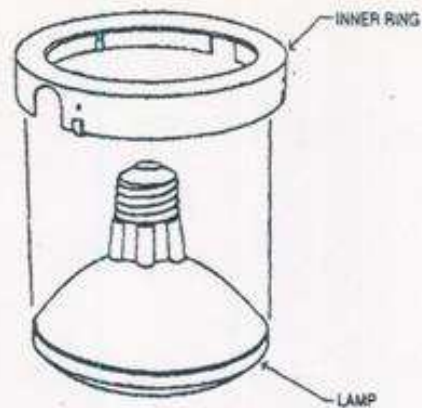
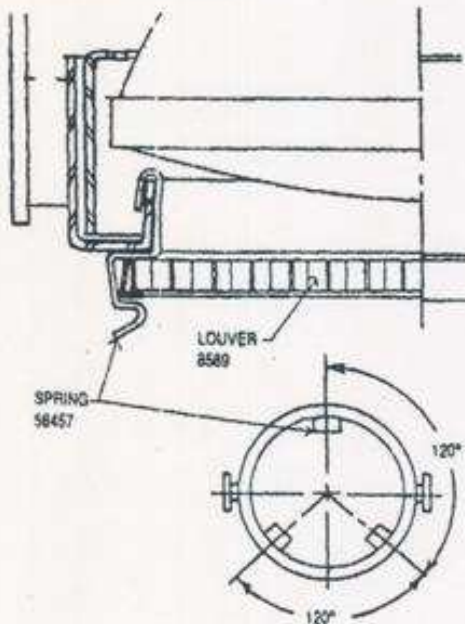


FIG. 5

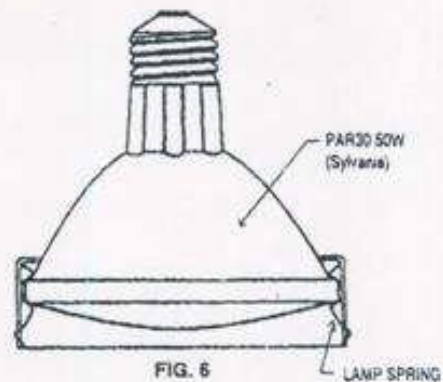


FIG. 6

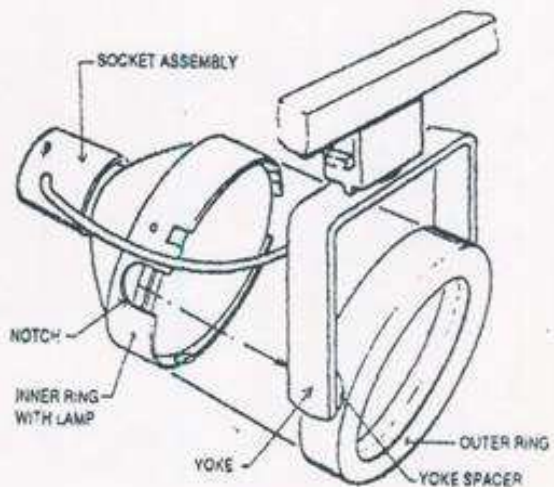


FIG. 7