

## INSTALLATION INSTRUCTIONS FOR T-SWIVEL PROJECTOR FOR LYTESPAN TRACK

**WARNING:** For use with Lytespan track system only.

**CAUTION:** Use only the lamp type and the Maximum wattage as marked on the trim.

**ATTENTION:** Read and understand these instructions before installing fixture. To prevent electrical shock, turn off electricity at fuse box before proceeding.  
 Retain these instructions for maintenance reference.

### A. SINGLE CIRCUIT:

1. Position lever 90° with track. (Fig.1)
2. Align bead on track with groove in T-swivel. (Fig.1)  
**Warning:** Align the bead with the groove to provide the polarity.
3. Insert the adapter into track and turn lever 90° clockwise. (Fig.2)  
**Warning:** Make sure the lever is turned at 90° in order to have proper contact.
4. To remove or shift projector on track, turn lever 90° counterclockwise. (Fig.1 and 2)

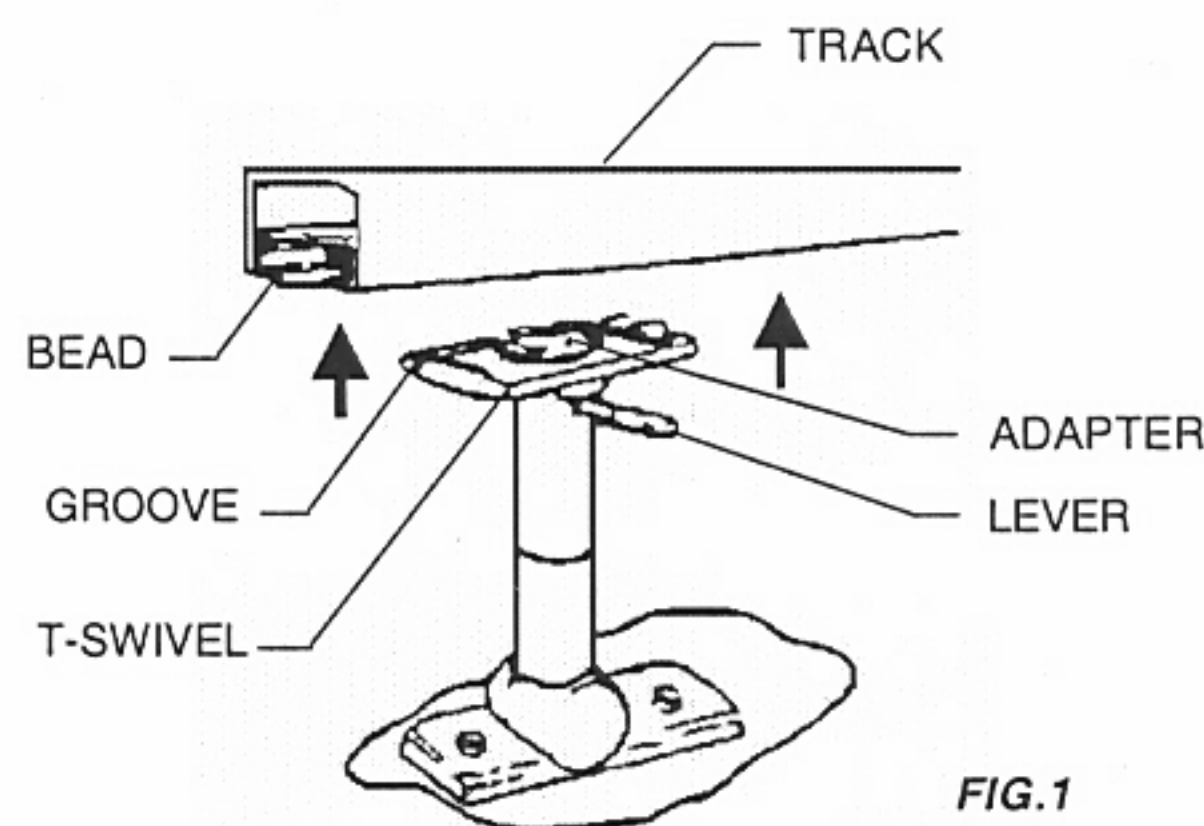


FIG.1

### B. DOUBLECIRCUIT:

**Note:** Use the spacer provided (must be used at all times).

#### CIRCUIT 1: (Low brass contact)

- 1a. Slide the spacer into the brass contact until it clicks into place. (Fig.3)

#### CIRCUIT 2: (High brass contact)

- 1a. Raise the brass contact until it clicks into position. (Fig.4)
- 1b. Slide the spacer under the brass contact. (Fig.4 and 5)
2. Repeat previous steps (A) single circuit : 1 to 4.

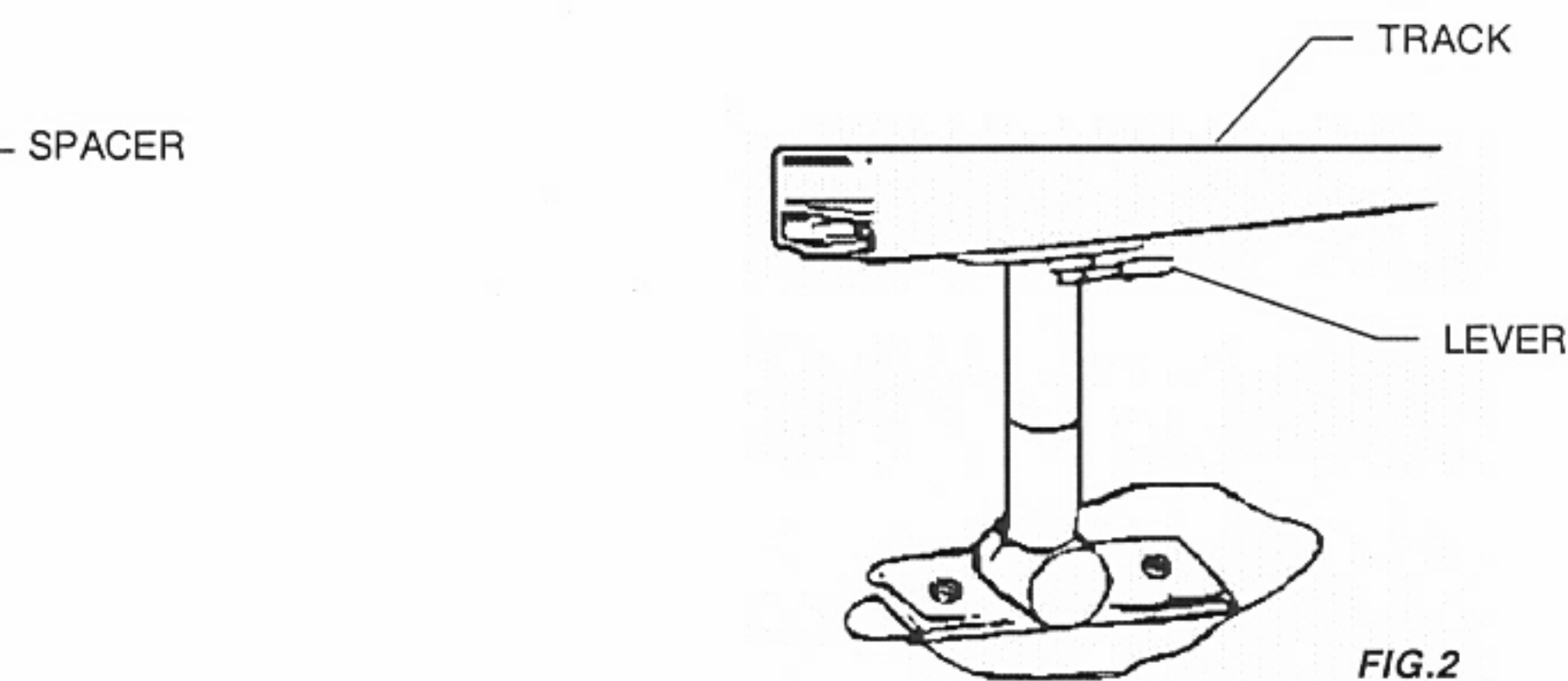


FIG.2

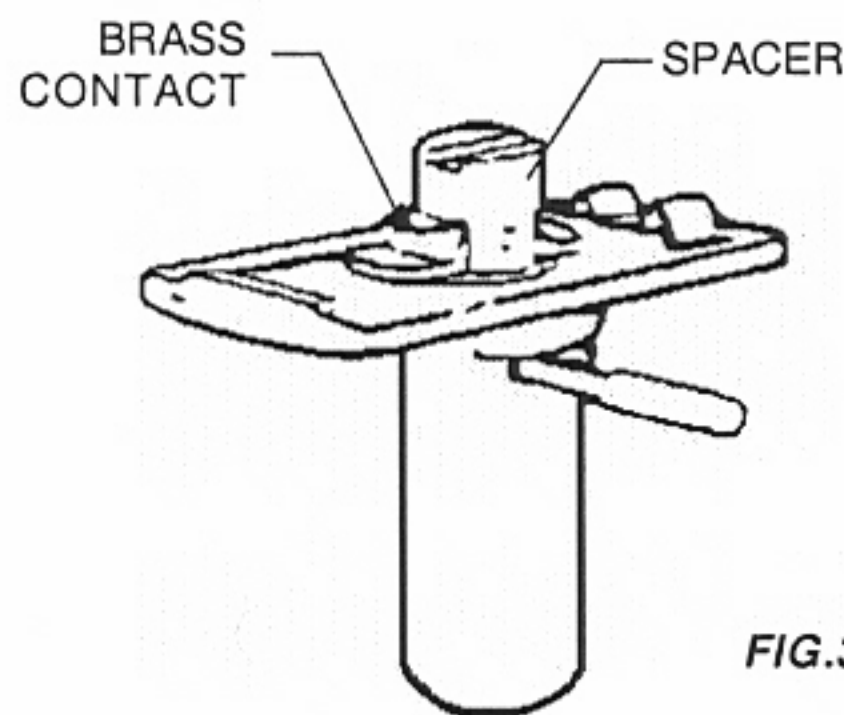


FIG.3

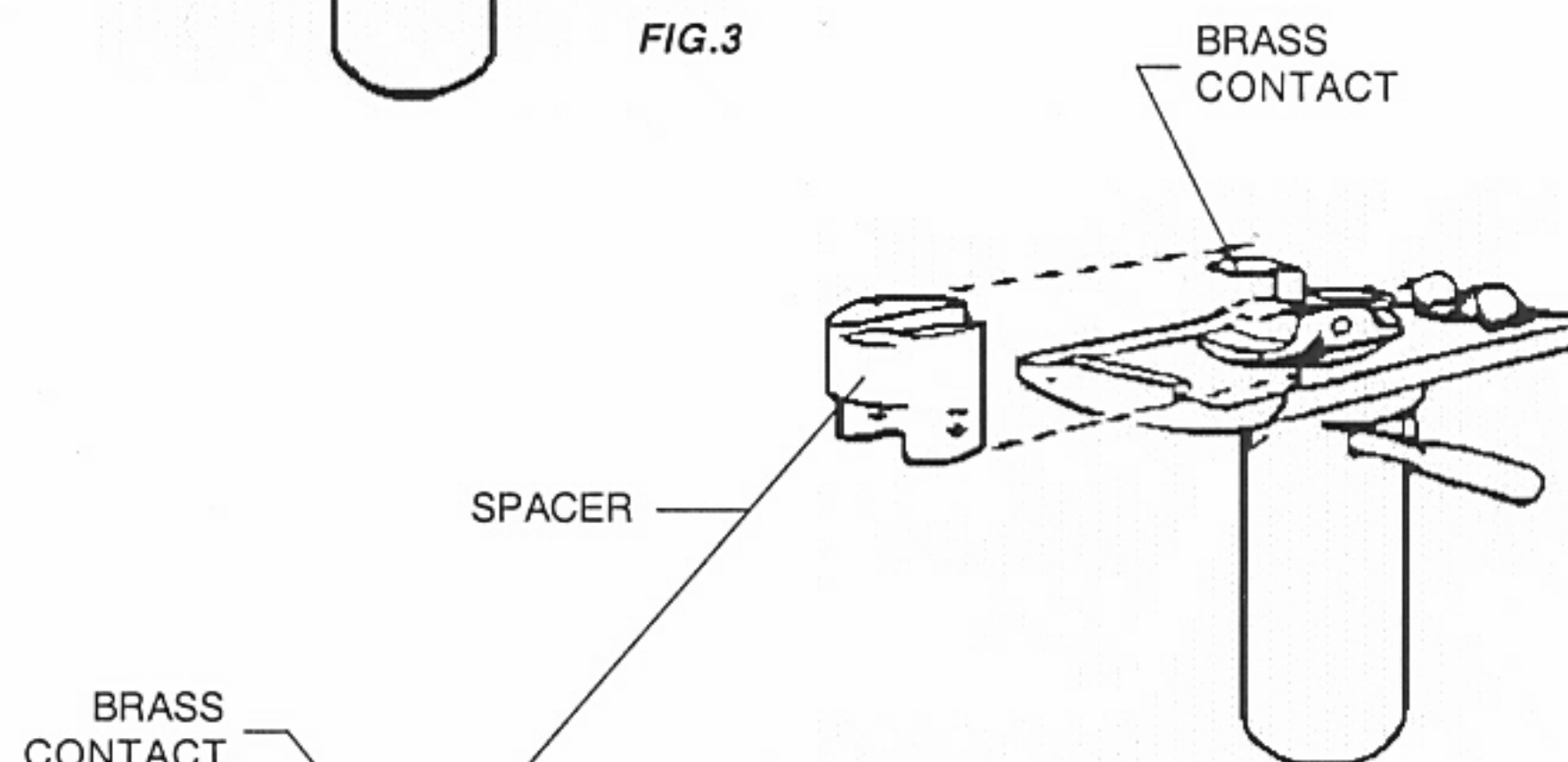


FIG.4

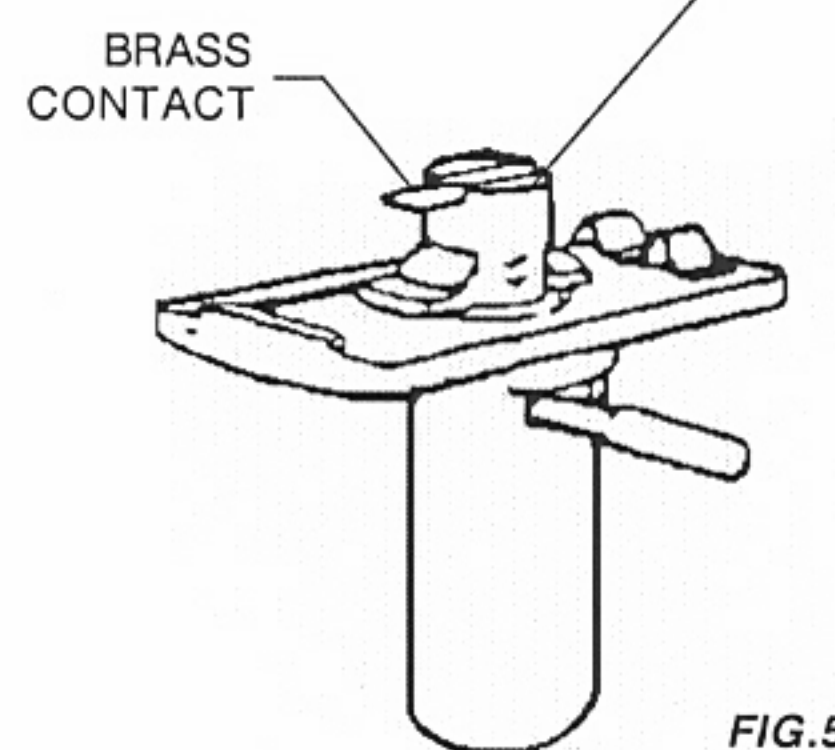


FIG.5