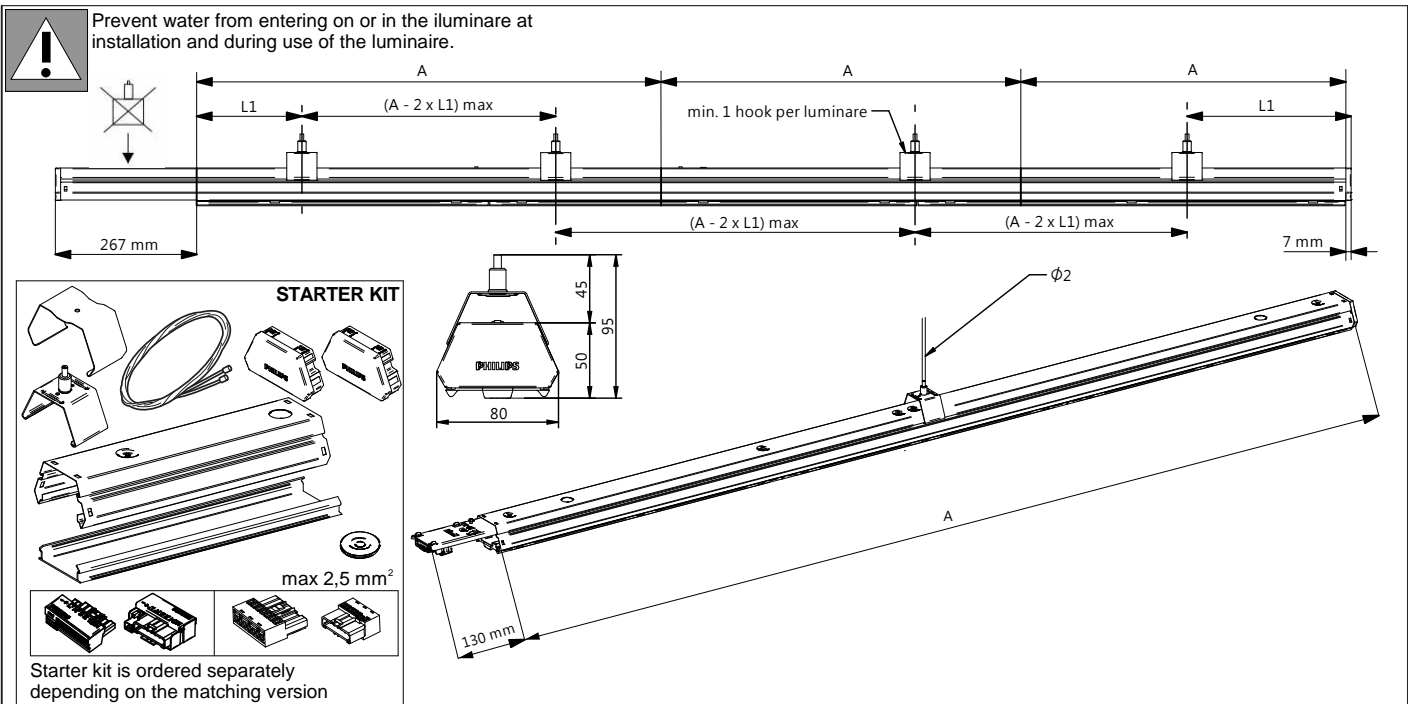
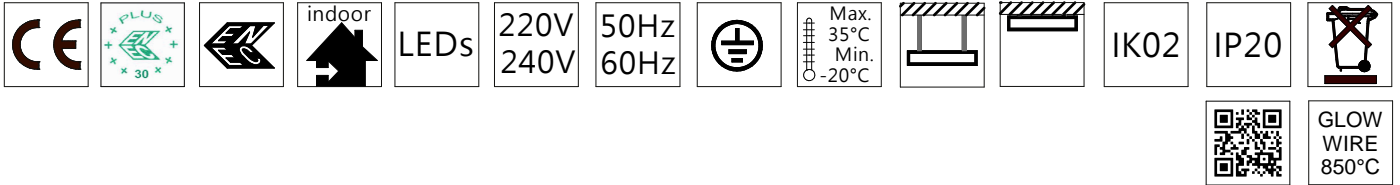
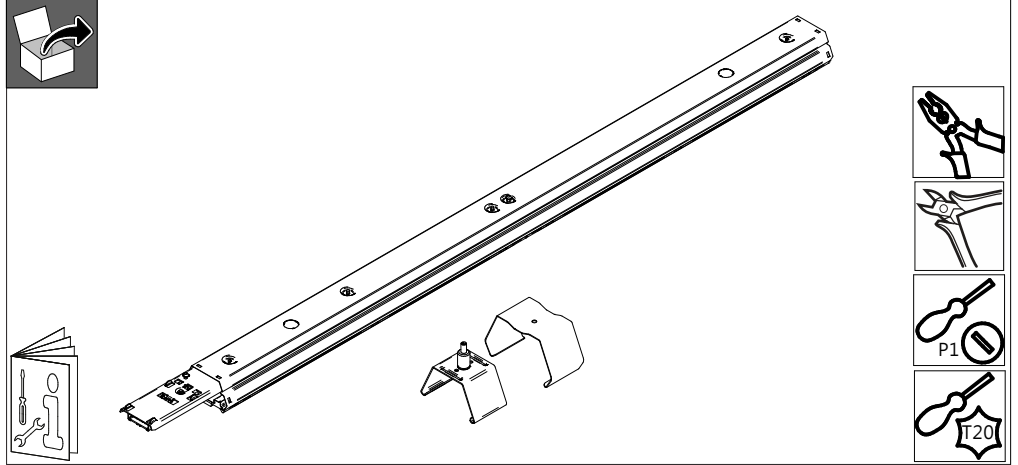


PHILIPS

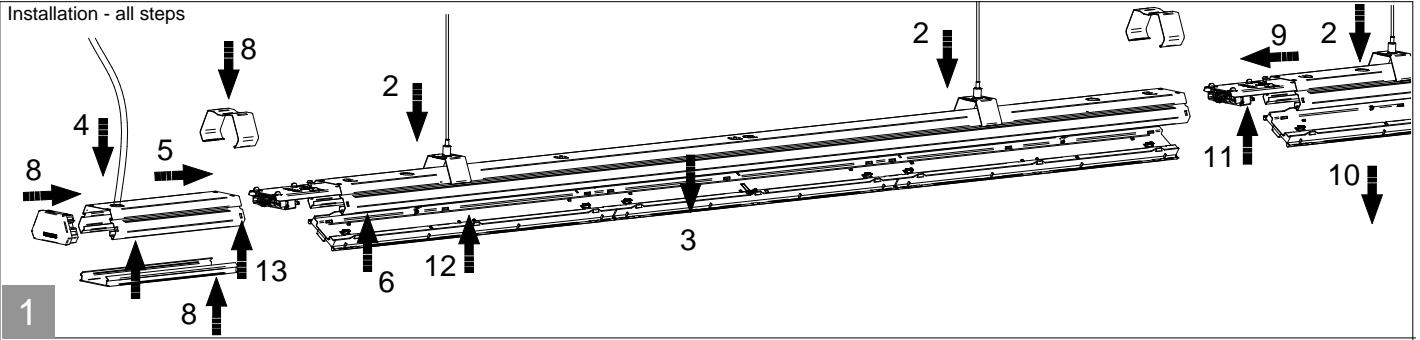
CoreLine Trunking

LL212X, LL217X, LL234X

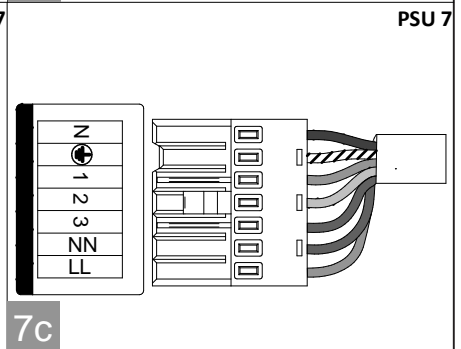
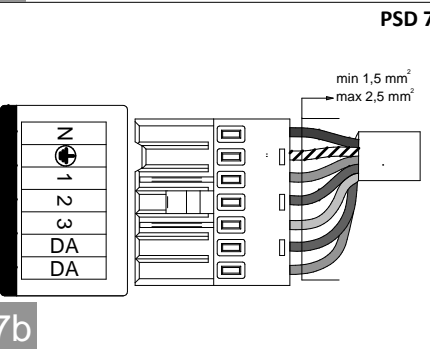
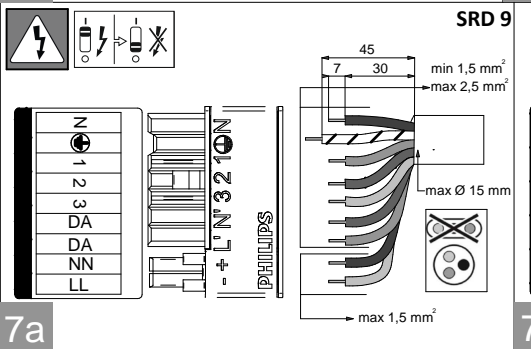
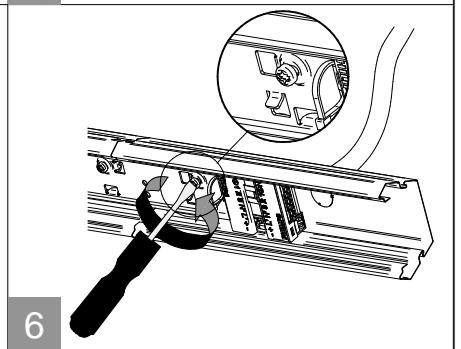
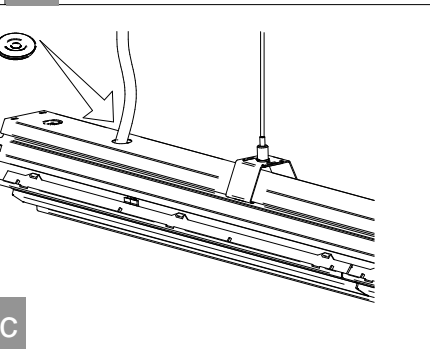
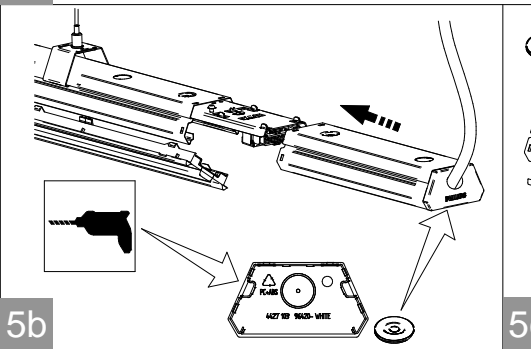
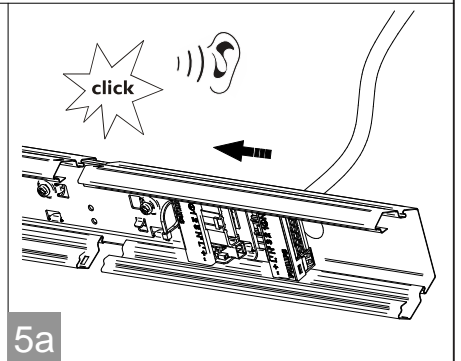
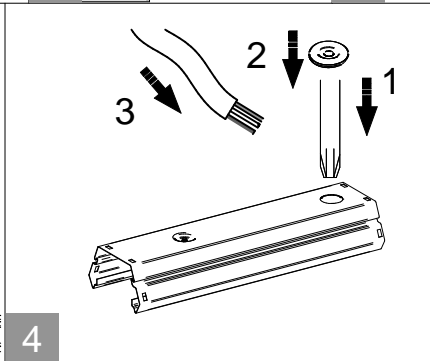
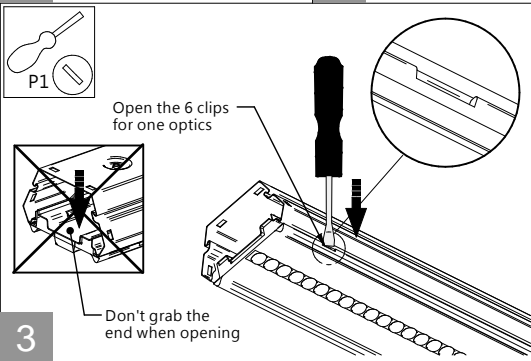
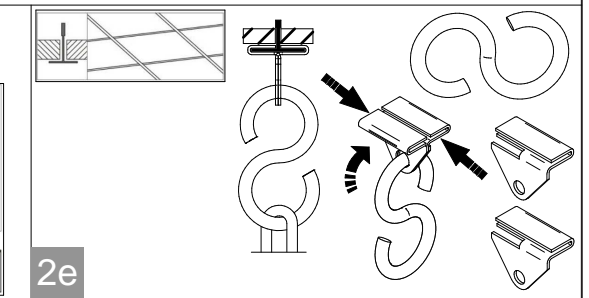
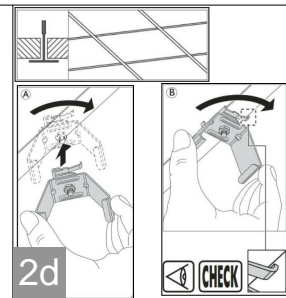
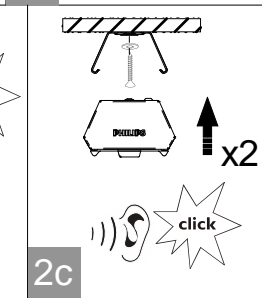
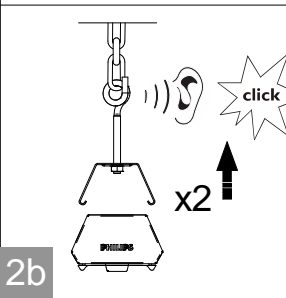
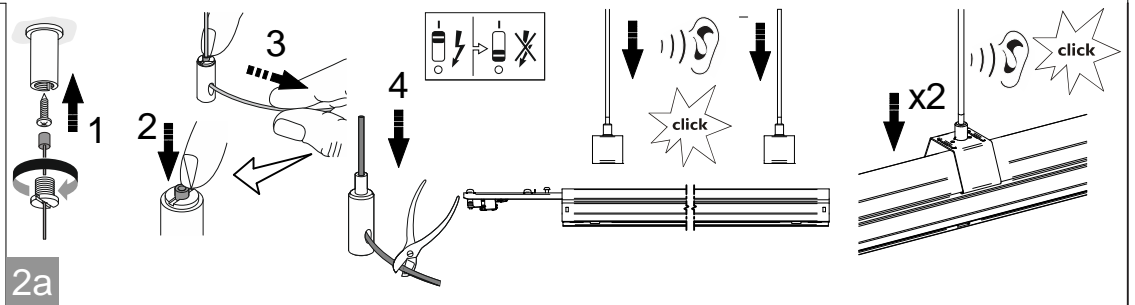


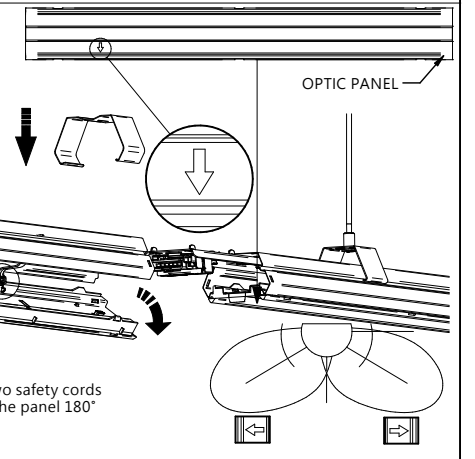
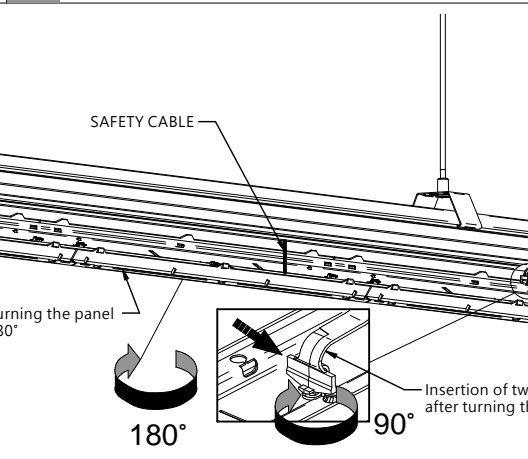
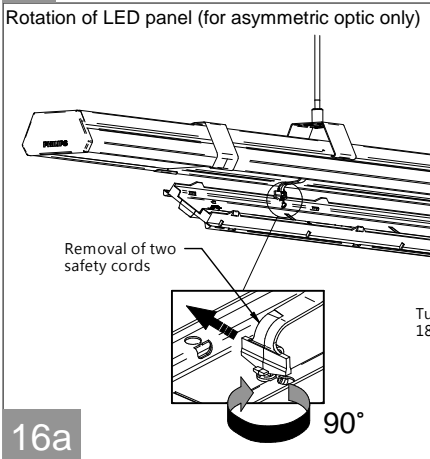
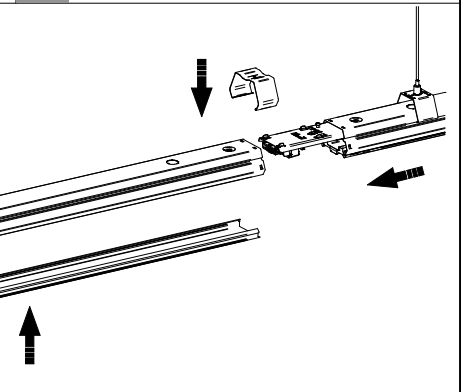
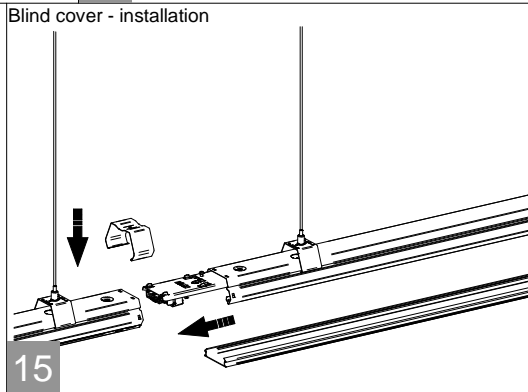
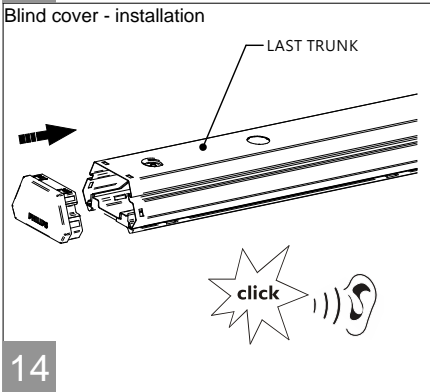
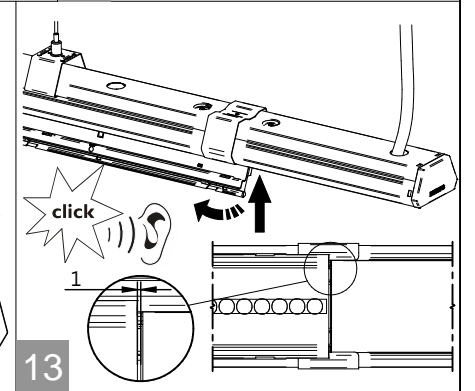
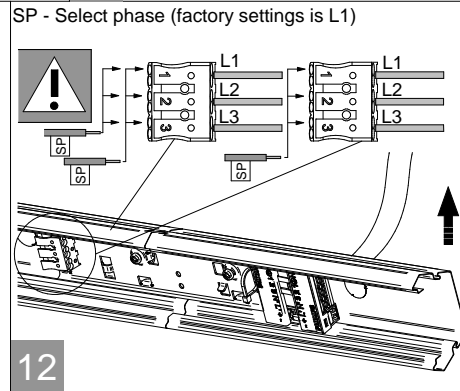
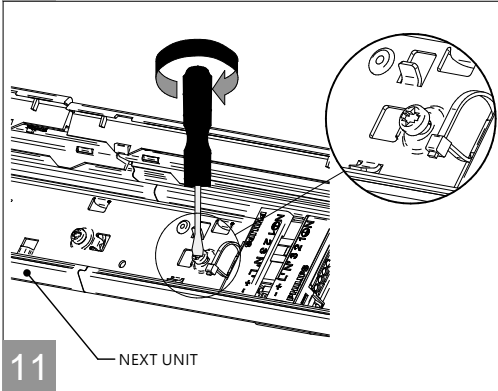
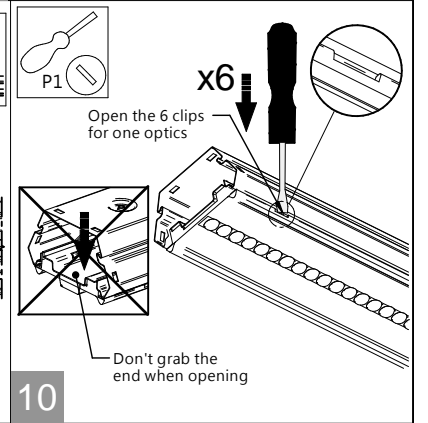
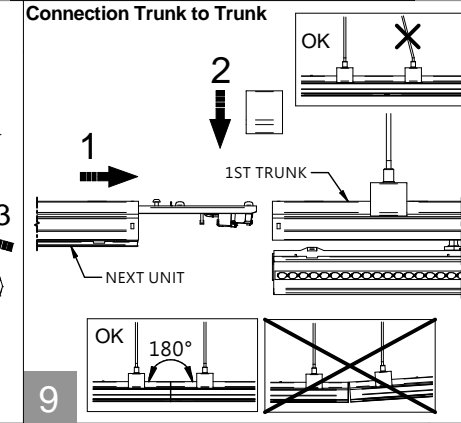
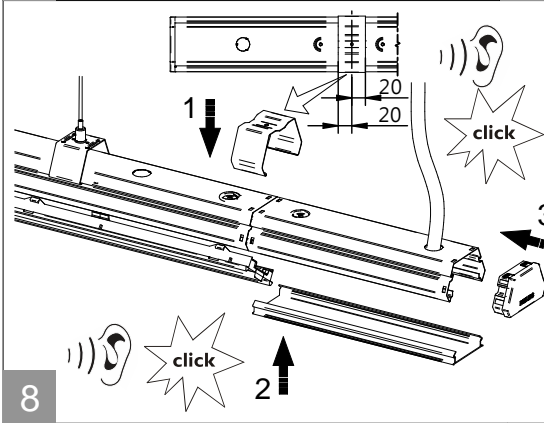
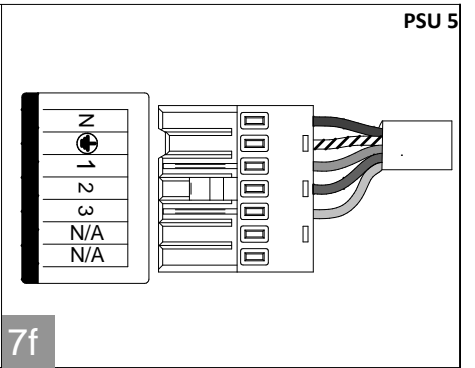
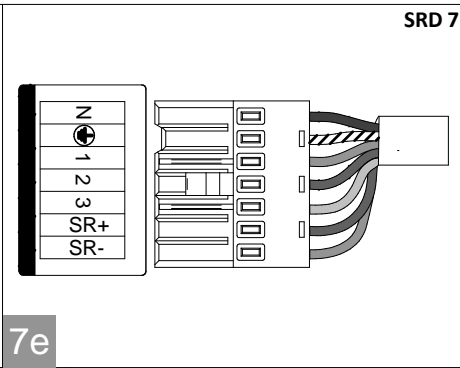
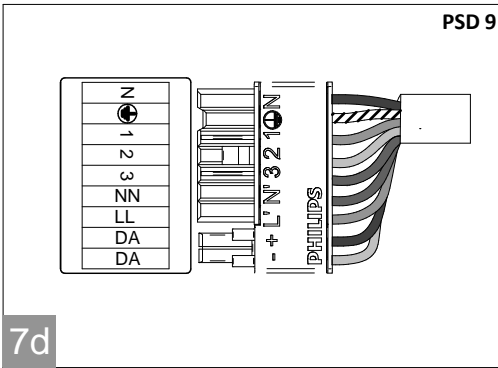
Luminaire type	System flux [lm]	Wattage [W]	A [mm]	L1 [mm]	kg
LL212X	30S PSU	3.000	1130	200 - 400	2,3
	53S PSU	5.300			2,3
	80S PSU	8.000			2,3
	30S PSD/SRD	3.000			2,4
	53S PSD/SRD	5.300			2,4
	80S PSD/SRD	8.000			2,4
LL217X	45S PSU	4.500	1700	500 - 800	2,8
	80S PSU	8.000			2,8
	120S PSU	12.000			2,8
	45S PSD/SRD	4.500			2,9
	80S PSD/SRD	8.000			2,9
	120S PSD/SRD	12.000			2,9
LL234X	90S1xPSU	9.000	3400	500 - 800	5,4
	160S 1xPSU	16.000			5,4
	240S 1xPSU	24.000			5,4
	90S 2xPSU	9.000			5,5
	160S 2xPSU	16.000			5,5
	240S 2xPSU	24.000			5,5
	90S 1xPSD/SRD	9.000			5,4
	90S 2xPSD/SRD	9.000			5,4
	160S 1xPSD/SRD	16.000			5,6
	160S 2xPSD/SRD	16.000			5,6
	240S 1xPSD/SRD	24.000			5,7
	240S 2xPSD/SRD	24.000			5,8

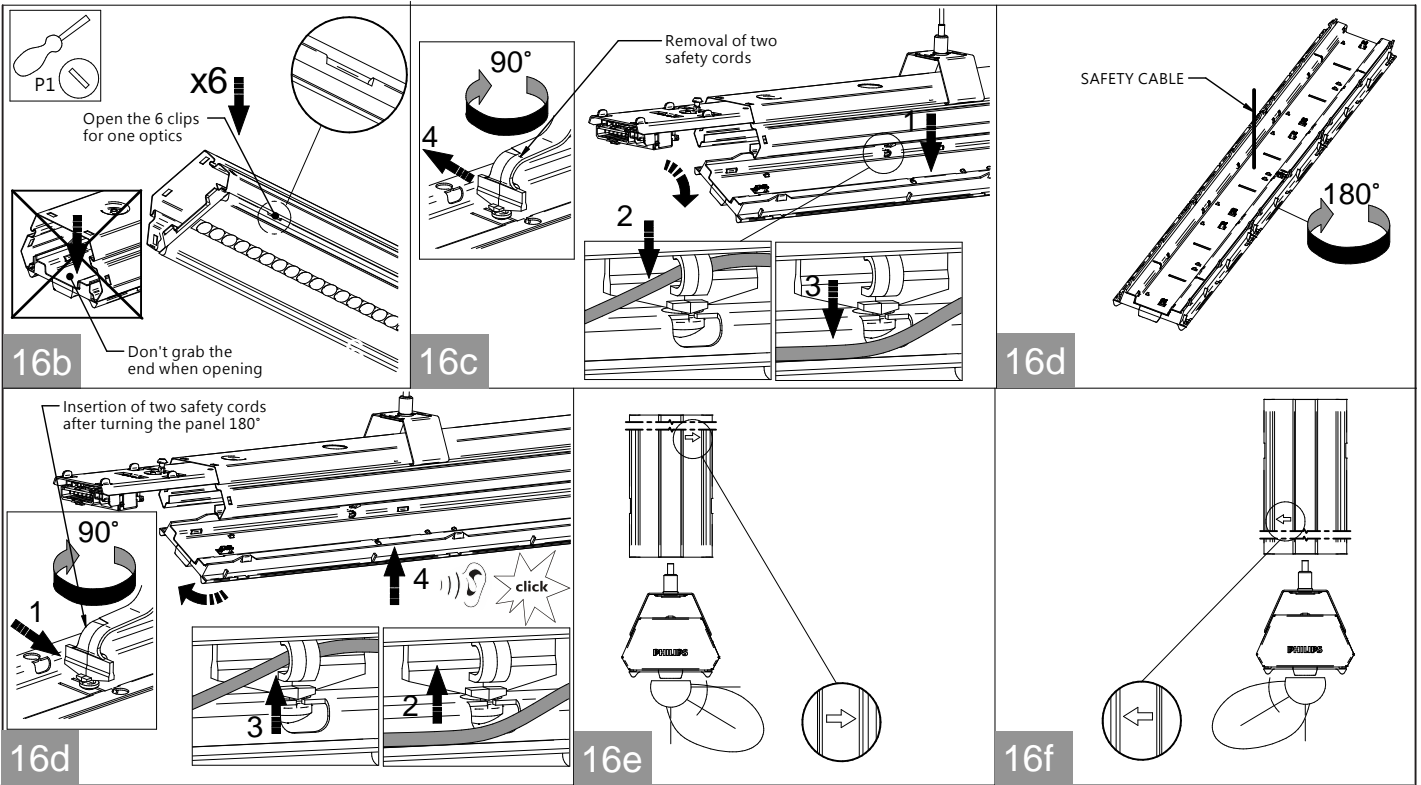
Installation - all steps



Drawing	Accessories
1a	LL200Z MB-SW
1b	LL200Z CB
1c	LL200Z SMB
1d	LL200Z PB
1e	LL200Z SMB-TPM SET

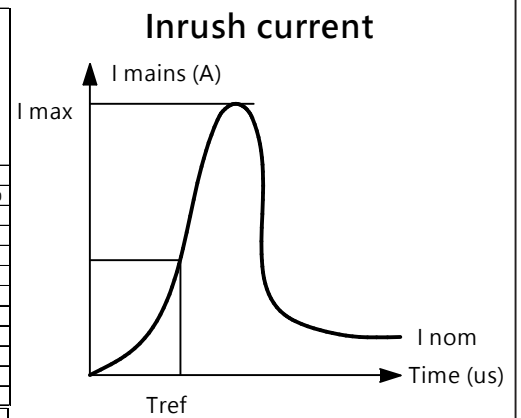






TYPE	535 1xPSU	305/455 1xSRD	905 2x SRD	305/455 1xPSD	905 2xPSD	305/455/535/805 1xPSD	905/1605 2xPSD	535/805 1xSRD	1605 2xSRD	455/805 1xPSU	905/1605 2xPSU	805/1205 1xPSU	2405 2xPSU	805/905/1205 1xPSD	2405 2xPSD	805/905/1205 1xSRD	2405 2xSRD	805/1205/1605 1xPSD	2405 2xPSD	1605 1xSRD
I_{max} [A]	14.0	21.0	42.0	23.1	46.2	25.1	50.2	21.0	42.0	19.0	38.0	22.5	45.0	10.0	20.0	4.5	9.0	5.1	10.2	5.1
T_{ref} [μs]	250	280	280	221	221	214	214	280	280	280	280	30	30	35.9	35.9	1000	1000	760	760	760
 cable ø [mm²]	1.5																			
MCB B-6A	13	8	4	8	4	8	4	8	4	9	4	9	4	7	3	7	3	6	3	4
MCB B-10A	20	13	6	13	6	13	6	13	6	15	7	14	7	11	5	11	5	10	5	7
MCB C-10A	34	21	10	22	11	21	10	21	10	24	12	23	11	18	9	18	9	16	8	12
MCB B-13A	26	17	8	17	8	17	8	17	8	19	9	18	9	14	7	14	7	12	6	9
MCB C-13A	40	28	14	29	14	28	14	28	14	32	16	30	15	24	12	24	12	20	10	16
MCB B-16A	33	21	10	22	11	21	10	21	10	24	12	23	11	18	9	18	9	16	8	12
MCB C-16A	40	35	17	37	18	35	17	35	17	40	20	30	15	30	15	30	15	20	10	20
MCB B-20A	40	26	13	27	13	26	13	26	13	30	15	28	14	22	11	22	11	20	10	15
MCB C-20A	40	40	20	40	20	40	20	40	20	40	20	30	15	30	15	30	15	20	10	20

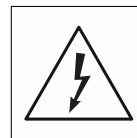
TYPE	535 1xPSU	305/455 1xSRD	905 2x SRD	305/455 1xPSD	905 2xPSD	305/455/535/805 1xPSD	905/1605 2xPSD	535/805 1xSRD	1605 2xSRD	455/805 1xPSU	905/1605 2xPSU	805/1205 1xPSU	2405 2xPSU	805/905/1205 1xPSD	2405 2xPSD	805/905/1205 1xSRD	2405 2xSRD	805/1205/1605 1xPSD	2405 2xPSD	1605 1xSRD
I_{max} [A]	14.0	21.0	42.0	23.1	46.2	25.1	50.2	21.0	42.0	19.0	38.0	22.5	45.0	10.0	20.0	4.5	9.0	5.1	10.2	5.1
T_{ref} [μs]	250	280	280	221	221	214	214	280	280	280	280	30	30	35.9	35.9	1000	1000	760	760	760
 cable ø [mm²]	2.5																			
MCB B-6A	13	8	4	8	4	8	4	8	4	9	4	9	4	7	3	7	3	6	3	4
MCB B-10A	20	13	6	13	6	13	6	13	6	15	7	14	7	11	5	11	5	10	5	7
MCB C-10A	34	21	10	22	11	21	10	21	10	24	12	23	11	18	9	18	9	16	8	12
MCB B-13A	26	17	8	17	8	17	8	17	8	19	9	18	9	14	7	14	7	12	6	9
MCB C-13A	40	28	14	29	14	28	14	28	14	32	16	30	15	24	12	24	12	20	10	16
MCB B-16A	33	21	10	22	11	21	10	21	10	24	12	23	11	18	9	18	9	16	8	12
MCB C-16A	40	35	17	37	18	35	17	35	17	40	20	30	15	30	15	30	15	20	10	20
MCB B-20A	40	26	13	27	13	26	13	26	13	30	15	28	14	22	11	22	11	20	10	15
MCB C-20A	40	40	20	40	20	40	20	40	20	40	20	30	15	30	15	30	15	20	10	20



Maintenance instructions

To assure the lighting quality of this unique LED lighting concept there are a few instructions regarding the maintenance of this LED luminaire:

- Do not touch electronic components!
Electronic components are under high voltage.
Electronic components are ESD sensitive.
- During installation or when maintaining the luminaire please use static free gloves to avoid marks on the luminaire.
- To remove dirt and spots use the following:
 - Dust: only use micro fiber cloths
 - Fingerprints, etc.: use a cleaner for synthetic materials with antistatic properties.
- Do not stare into the LED light beam.
- To avoid scratches and dirt on optical parts remove protective foil after installation.
- The luminaire shall be installed by a qualified electrician and wired in accordance with the latest IEE electrical regulations or the national requirements.
- The light source is not replaceable. In case of damage replace the luminaire.
- Driver insulation: Basic according to IEC 61847-1



ATTENTION
OBSERVE PRECAUTIONS
FOR HANDLING
ELECTROSTATIC
SENSITIVE
DEVICES

"The light source of this luminaire is not replaceable: when the light source reaches its end of life the whole luminaire shall be replaced."