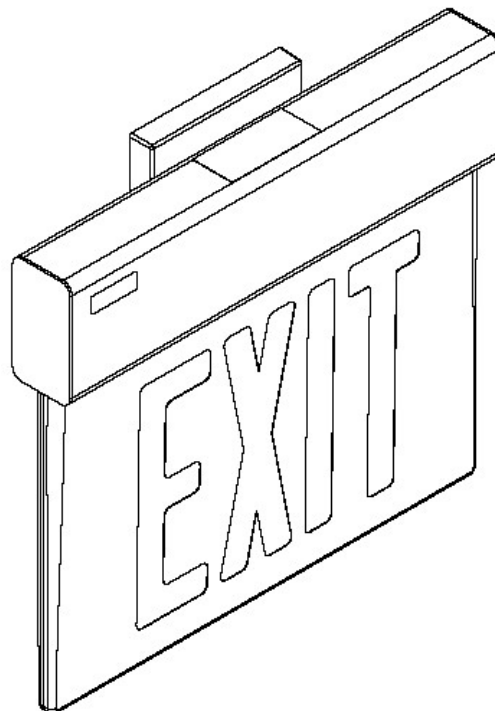




Flexible Conduit Only



No Rigid Conduit



IMPORTANT SAFEGUARDS

READ AND FOLLOW ALL SAFETY INSTRUCTIONS

Warning: Electrical Shock Potential!! Do not attempt to install, maintain or re-lamp without disconnecting all power. Failure to disconnect power can result in electrocution, shock, or severe burns.

Caution: This fixture is designed for permanent installation in ordinary (Non-Hazardous) locations in accordance with the National Electrical Code and all applicable local codes. Do not use in areas of limited ventilation or in high ambient enclosures. The lamp and fixture operate at high temperatures, contact with combustible materials can cause and personal contact can cause severe burns.

When using electrical equipment basic safety precautions should always be followed including the following:

- Do not use this equipment outdoors.
- Do not mount near gas or electrical heater.
- Equipment should be mounted in locations and at heights where it will not be readily subjected to tampering by unauthorized personnel.
- The use of accessory equipment not recommended by the manufacturer may cause an unsafe condition.
- Do not let power supply cords touch hot surfaces.
- Do not use this equipment for other than intended use.
- Use caution when servicing batteries.
- Servicing of this equipment should be performed by qualified personnel.

SAVE THESE INSTRUCTIONS

INSTRUCTIONS

1. PENDANT MOUNT UNITS

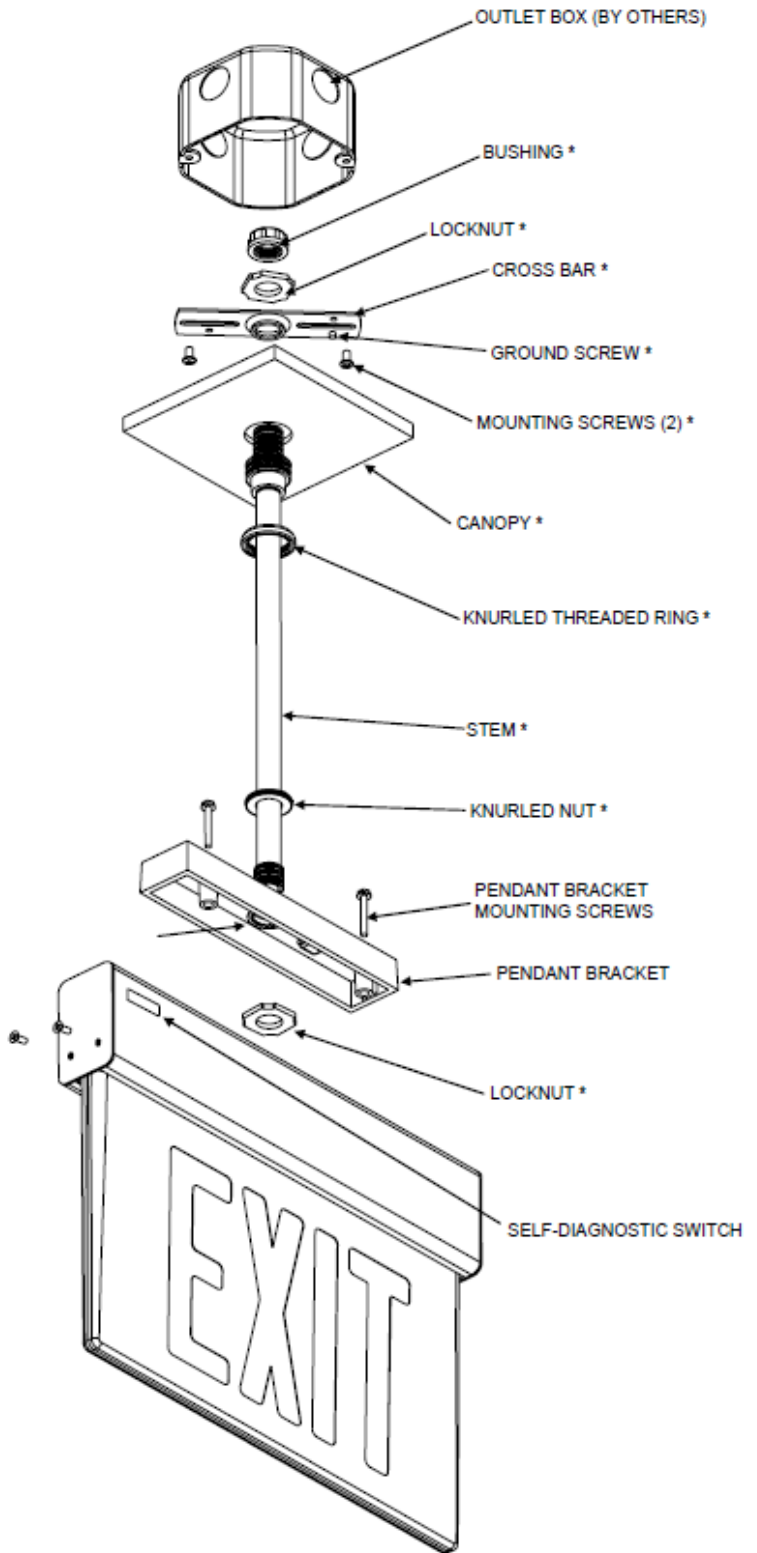
- a. Thread the cross bar, locknut, and bushing onto the pipe nipple at the end of the stem. See Fig. 1.
- b. Feed the wires (supplied with the Pendant Kit) through the stem and install the stem assembly to the outlet box using the cross bar and (s) 8-32 screws. Make electrical connections in the outlet box and attach incoming ground wire to ground screw on cross bar.
- c. Slide the canopy and knurled threaded ring over the stem and tighten to the ceiling.
- d. Remove pendant bracket from fixture and assemble to stem using knurled nut, lock washer, and locknut as shown.
- e. Connect wires from sign to incoming line leads. Observe wire colors:
 - Black wire – 120 volt input,
 - White wire – common for 120 or 277 volt inputs,
 - Red wire – 277 volt input.
 - Green wire – Ground. Cap unused wire.
 - 2-Circuit Units: Connect wires from Auxiliary power supply to Auxiliary line leads. Observe wire colors above.
- f. Push wires into pendant bracket and reassemble the pendant bracket to the sign.
- g. Energize AC power to equipment.
 - If emergency unit, check using the power Sequence as a guide.
 - If AC-only unit, confirm that the sign is lit.
- h. Emergency units: Leave AC connected for a minimum of 24 hours before performing any testing.

NOTE: Items marked with * are included in pendant kit sold separately.

2. CEILING OR WALL MOUNT UNITS

- a. Install mounting plate to outlet box. See Fig. 2 or 3.
- b. Make AC service connection at this time. Observe wire colors:
 - Black wire – 120 volt input,
 - White wire – common for 120 or 277 volt inputs,
 - Red wire – 277 volt input.
 - Green wire – Ground.
 - Cap unused wire.
- c. 2-Circuit Units: Connect wires from Auxiliary power supply to Auxiliary line leads. Observe wire colors above.
- d. Make supply connections and then push connections into outlet box.
- e. Attach canopy to mounting plate with (2) screws provided.
- f. Energize AC power to equipment
 - if emergency unit, check using the power Sequence as a guide.
 - If AC-only unit, confirm that the sign is lit.
- g. Emergency units: Leave AC connected for a minimum of 24 hours before performing any testing.

Note: LED units equipped with FIRE ALARM feature (Flashing Rate 60 Cycles/Min., 70% duty cycle, 70% on 30% off) connect WHITE wires labeled FIRE ALARM to fire alarm system wires. Insulate with wirenuts.



PENDANT MOUNT

Fig. 1

UNUSED PRIMARY WIRES MUST BE CAPPED TO PREVENT SHORTING.

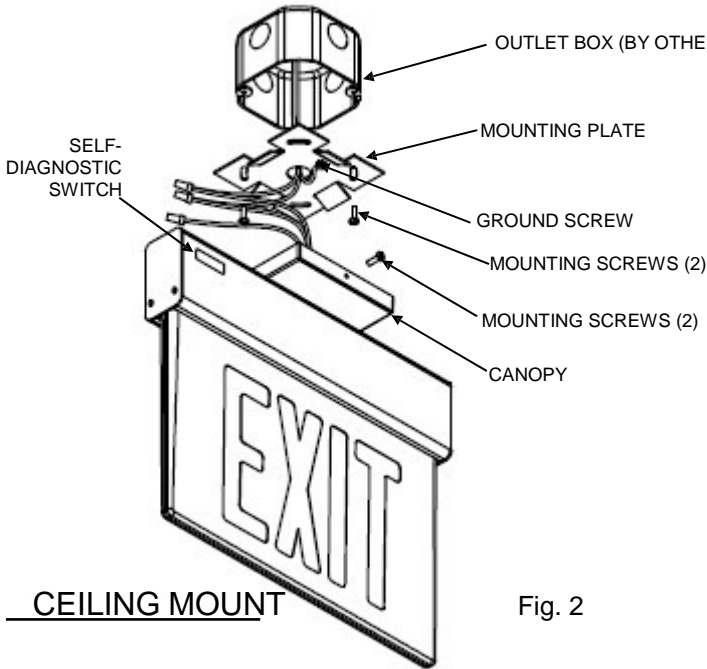


Fig. 2

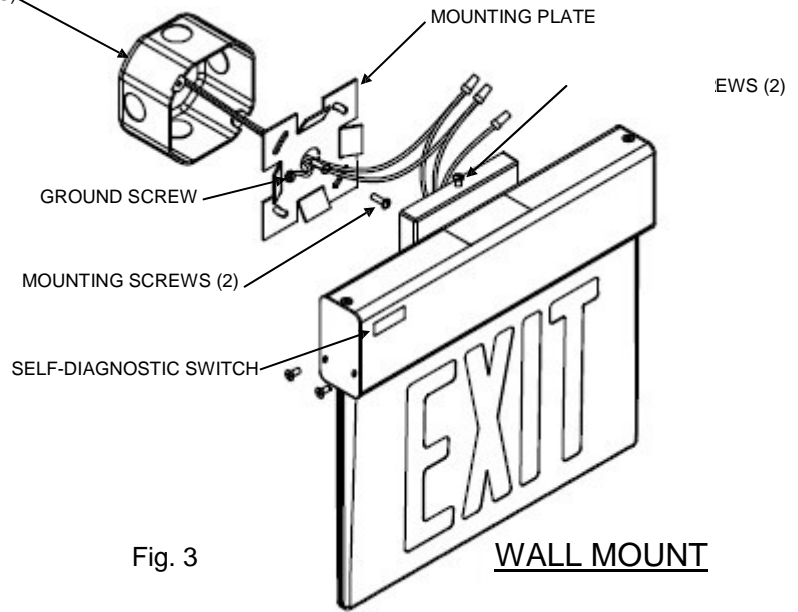
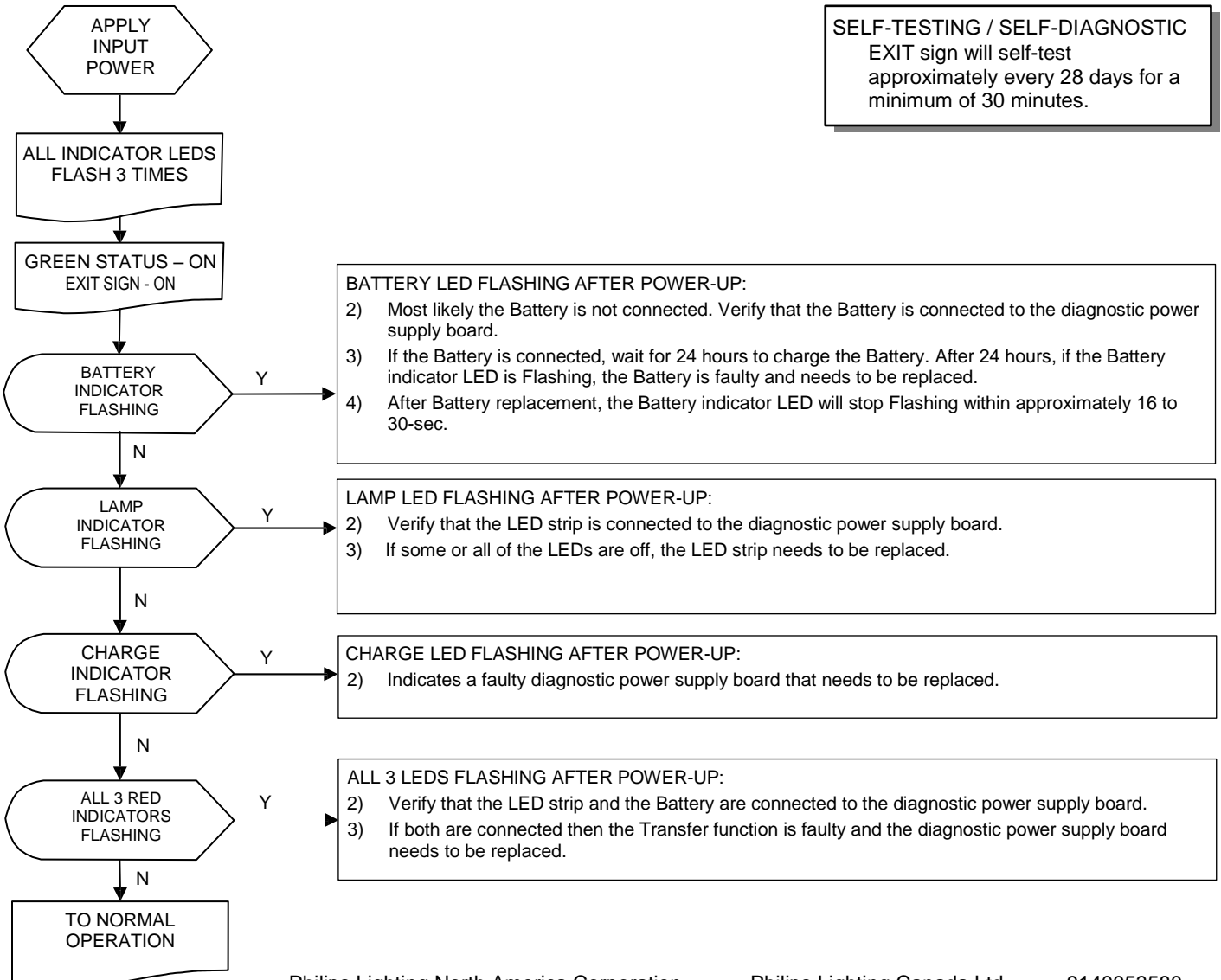


Fig. 3

NORMAL POWER-UP SEQUENCE

SELF-TESTING / SELF-DIAGNOSTIC EXIT sign will self-test approximately every 28 days for a minimum of 30 minutes.



OP – PANEL INDICATORS / OPERATION:

- GREEN - Status: Solid indicates system normal and AC power is on.
NOTE: To start the Manual test, simply press the Green Indicator (button) as indicated below. To Reset/Cancel a test press the Green Indicator (button) once during any test. When Exit is in test mode the Green Indicator LED is flashing.
- 1 Press: perform a 5-sec brief test, all LEDs operating from battery only.
- 2 Presses: perform a 1-min test, all LEDs operating from battery only.
- 3 Presses: perform a 90-min test, all LEDs operating from battery only.
- 6-sec Continuous Press: perform a RESET operation.
- CONTINUOUS MONITORING: The system monitors the following continuously:
1) Battery, 2) LED strip, 3) Charger, 4) Transfer function.

The battery requires at least 24 hours of charge time to perform any test. If the battery has not charged for 24 hours after installation and a test is requested, the charge light will come on and stay on for one minute indicating that the battery is not fully charged for attempted test.

OPTIONAL FACTORY EQUIPPED ITEMS:

- Fire-Alarm Interface: Unit will be supplied with a connector at the FAFI location and an interface cable to connect to the building system (per wiring diagram).
- Flashing EM: Unit will flash the EXIT sign when operating from the battery only. (Flash rate is 1 flash/sec. with a 70%-on duty cycle.)
- Buzzer EM: Unit will buzz for approx. ½ -sec during power-up sequence or after a reset operation. Buzzer does not activate during either manual or automatic testing. Buzzer will only activate when operating from the battery and only due to AC power loss.
- Remote Control: To operate, use a laser pen passing the laser over the remote sensor; simply duplicate the manual button(1,2,3) pushes. The laser must impact the remote sensor for at least 0.2-sec to be recognized.

TROUBLE INDICATIONS / TROUBLESHOOTING

OP – PANEL INDICATORS



TEST
BUTTON

REMOTE
SENSOR
(IF EQUIPPED)

- GREEN - Status: solid indicates system normal and AC power is on and flashes during any manual/auto test cycle.
- RED – CHARGER FLASHING: a charger failure requires the power supply board to be replaced.
- RED – BATTERY FLASHING: battery is disconnected or if it is connected and charged for 24 hours a replacement is needed.
- RED - LAMP FLASHING: LED strip is disconnected or if it is connected a replacement is needed.
- ALL 3 RED FLASHING: bad transfer; battery and LED strip is disconnected or if they are connected a replacement diagnostic power supply board is needed.

WIRING INFORMATION

Transformer Inputs:

== == == == ==
BLACK – 120V
WHITE – Common
RED – 277V

Circuit Assembly Code	
45VX 1	Std Emergency Backup
45VX 2	Flash on Battery
45VX 3	Fire-Alarm Interface
2C	Two Circuit Input

