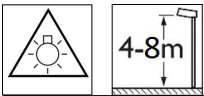
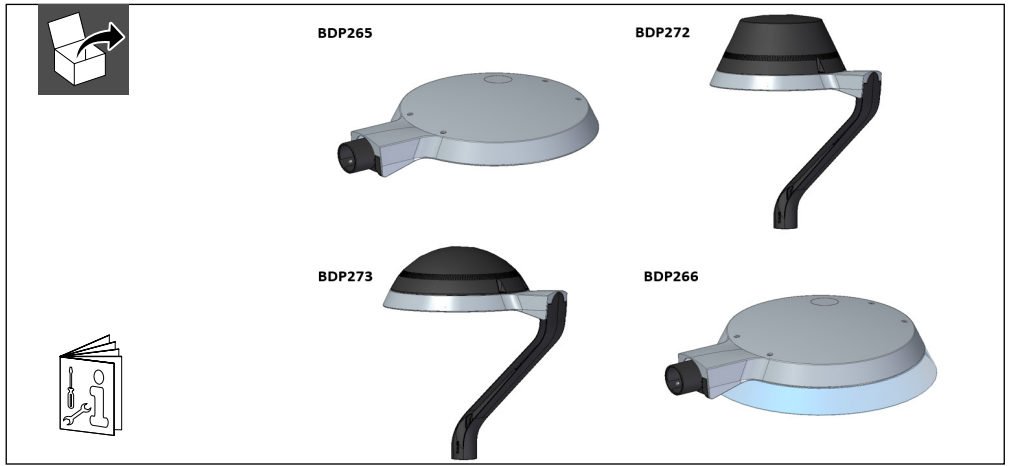


PHILIPS

TownTune Asymmetric

BDP265/266/267/268
BDP270/271/272/273



Photobiological Risk Luminaire Surge Protection Luminaire Surge Protection with SPD *optional	RG1 (valid for Neutral and Warm White) DM/CM 6/8 kV (C-I/C-II) DM/CM 10/10 kV (C-I) - 10/8 kV (C-II) - 10/10 kV (C-II) (optional ground for installer)
---	--

			LEDs	W +/-10%	Source +/-7%			
			LED08	6	5,8	800		
			LED10	6	7,0	1000		
			LED12	10	8,1	1200		
			LED14	10	9,4	1400		
			LED16	10	10,6	1600		
			LED18	10	11,8	1800		
			LED20	10	13,0	2000		
			LED22	10	14,4	2200		
			LED24	10	15,6	2400		
			LED27	10	17,8	2700		
			LED30	10	20,0	3000		
			LED34	20	21,5	3400		
			LED35	20	22,0	3500		
			LED39	20	24,5	3900		
740			LED40	20	25,0	4000	✓	✓
			LED44	20	27,5	4400		
			LED45	20	28,5	4500		
			LED50	30	30,0	5000		
			LED55	30	33,0	5600		
			LED59	30	35,5	6000		
			LED64	30	38,5	6400		
			LED69	30	42,0	7000		
			LED74	30	45,0	7400		
			LED79	40	47,0	8000		
			LED 84	40	50,0	8400		
			LED90	40	54,0	9000		
			LED 94	40	56,0	9400		
			LED109	40	66,0	11000		
			LED120	40	74,0	12000		
			LED130	40	83,0	13000		



	LED color	LED gine	LEDs	W +/-10%	Source +/-7%			
	LED06		6	5,5	600			
	LED10		6	7,0	800			
	LED08		6	8,6	1000			
	LED12		10	9,9	1200			
	LED14		10	11,4	1400			
	LED16		10	13,0	1600			
	LED18		10	14,6	1800			
	LED20		10	16,2	2000			
	LED22		10	18,0	2200			
	LED24		10	19,8	2400			
	LED27		20	21,0	2700			
	LED30		20	23,0	3000			
	LED34		20	26,5	3400			
830	LED35		20	27,5	3500	✓	✓	6,8kg*
	LED39		20	30,5	3900			
	LED40		20	31,5	4000			
	LED44		20	35,0	4400			
	LED45		20	35,5	4500			
	LED50		20	40,0	5000			
	LED55		30	41,5	5600			
	LED59		30	44,5	6000			
	LED64		30	49,0	6400			
	LED69		30	53,0	7000			
	LED74		30	58,0	7400			
	LED79		40	59,0	8000			
	LED84		40	63,0	8400			
	LED90		40	68,0	9000			
	LED94		40	72,0	9400			

Surface to the wind (m²) without embellishment accessories

* Weight without mounting devices

Weight of decorative ring 0,6 kg

Weight of top accessory cone 1,1 kg

Weight of top accessory dome 0,8 kg

Weight of Lyre (BDP270/271/272/273) 3,785 kg

As accessories are not a structural part of the luminaire housing, the IK rating for the luminaire housing remains IK09.

MODEL	Wind surface (m ²)	SCx (m ²)
BDP265 (standard)	0,042	0,033
BDP266 (bottom ring)	0,066	0,036
BDP267 (top cone)	0,110	0,052
BDP267 (cone + ring)	0,130	0,071
BDP268 (top dome)	0,082	0,039
BDP268 (dome + ring)	0,110	0,057
BDP270 (standard)	0,042	0,089
BDP271 (standard with decorative ring)	0,066	0,095
BDP272 (top cone)	0,110	0,121
BDP272 (top cone + decorative ring)	0,130	0,132
BDP273 (Top dome)	0,082	0,095
BDP273 (top dome + decorative ring)	0,110	0,112

Temperature protection:

The LED drivers have temperature protection circuits to switch off the output when the device gets too warm. Power will return automatically when the temperature has dropped again.

Remark:

Photometric data will be provided upon customer request.

 **WARNING**

This luminaire must be installed only by qualified personnel.
If the external flexible cable or cord of this luminaire is damaged, it shall be exclusively replaced by the manufacturer or his service agent or a similar qualified person in order to avoid a hazard.
The light source contained in this luminaire shall only be replaced by the manufacturer or his service agent or a similar qualified person



Disconnect before servicing



Use gloves to manipulate the luminaire



The space between lyre and luminaire could be a pinch point
Keep hands clear during operation.



Free rotation of the lyre can cause damage in painted parts



Follow this mounting instructions to fix install and maintain



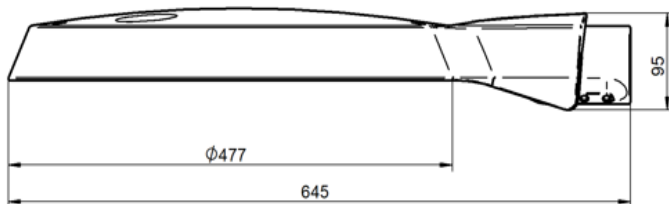
Never modify the luminaire or the fixations



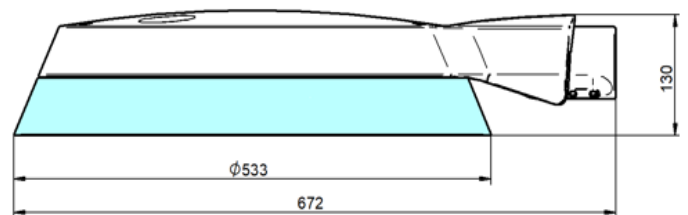
Risk of accident due to incorrect tightening torque

i

TOWNTUNE ASYMMETRIC BDP265
(Wind surface 0,042 m² / SCx 0,033 m²)



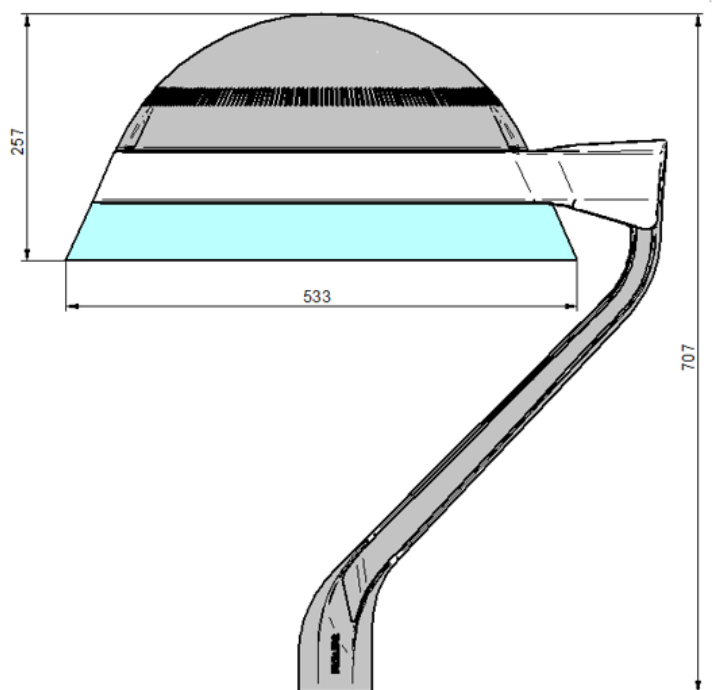
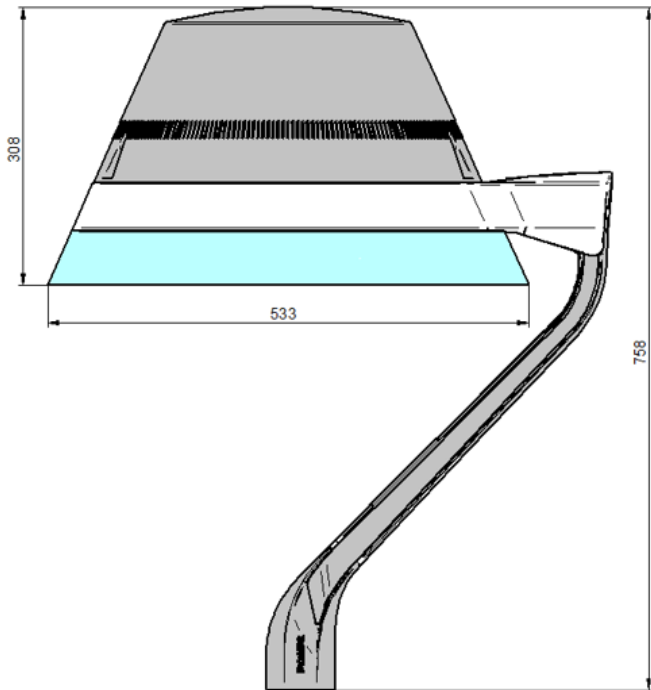
TOWNTUNE ASYMMETRIC BDP266
(Wind surface 0,066 m² / SCx 0,036 m²)



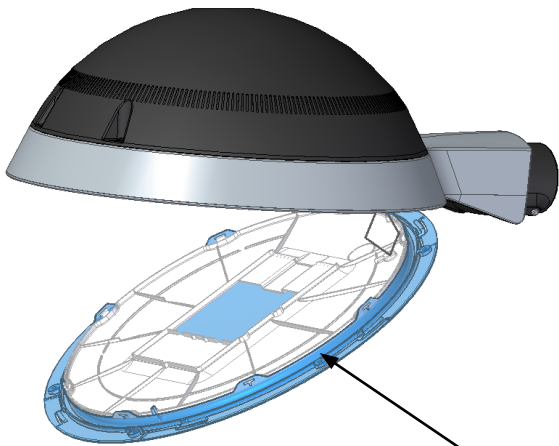


TOWNTUNE ASYMMETRIC BDP272-DR
(Wind surface 0,130 m² / SCx 0,132m²)


TOWNTUNE ASYMMETRIC BDP273-DR
(Wind surface 0,110 m² / SCx 0,112m²)

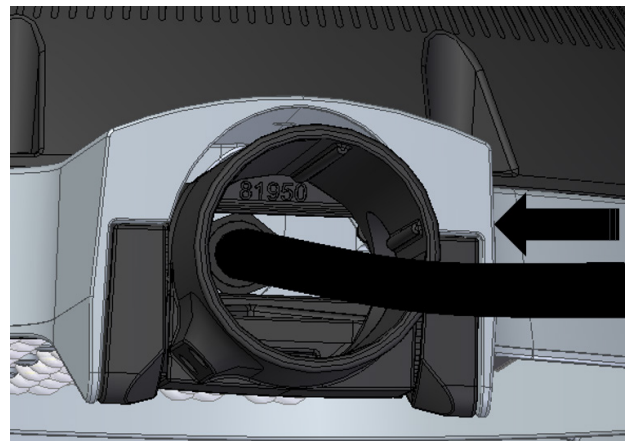


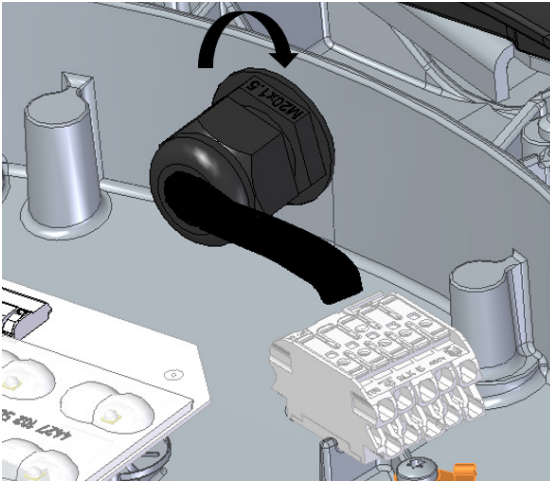
OPEN / CLOSE / MOUNTING CABLE (BDP265/266/267/268 versions)



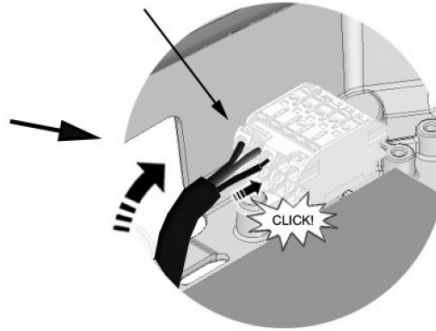
SCREWS WITH RETENTION SYSTEM

T20  1,5 Nm

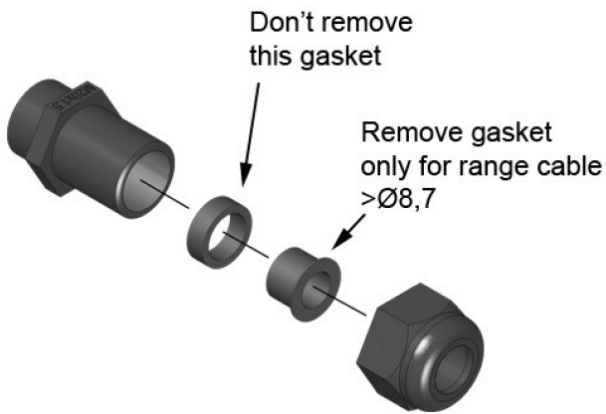
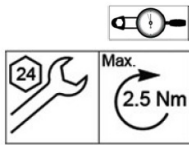




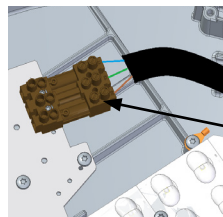
always connect to upper terminals of the connector



STANDARD VERSION



LC05 VERSION



4x0,8 mm
Min. 0,8 Nm

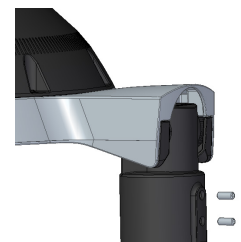
i Allowed cable range Ø5-Ø8,7-Ø12 mm



BRAKET / POLE FIXATION (BDP265/266/267/268 versions)



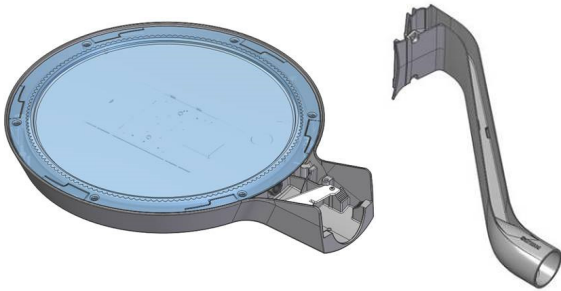
15 Nm **4**





OPEN / CLOSE / MOUNTING CABLE (BDP270/271/272/273 versions)

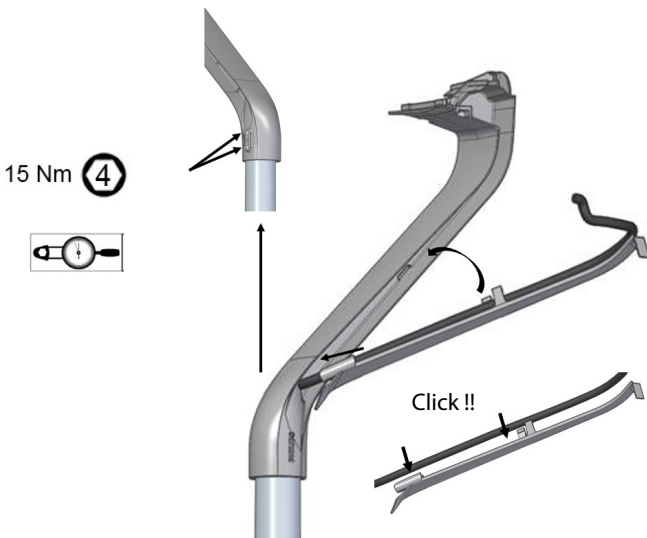
1 Take the parts from the box



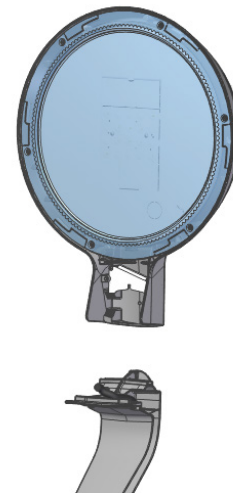
2 Put the cable sticking out the pole to the LYRE bracket hole



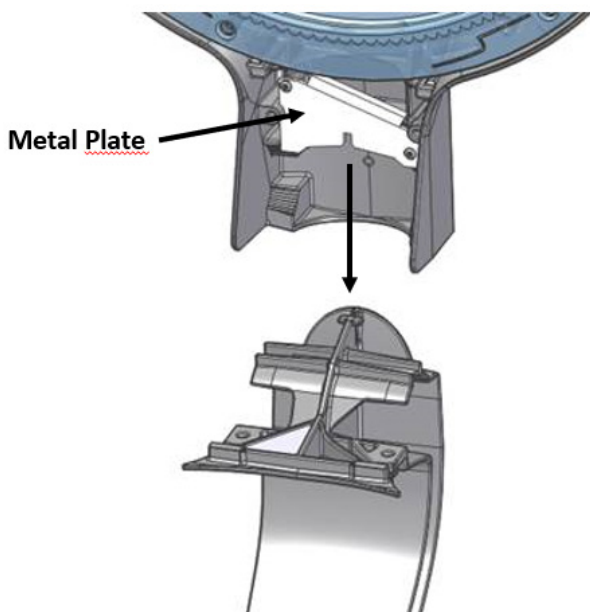
3 Connect LYRE bracket and pole, tightening 2 screws on the bottom



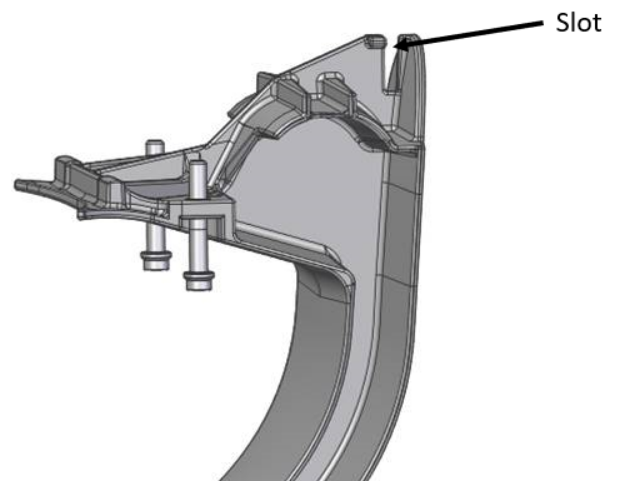
4 Connect LYRE bracket and luminaire on the vertical position the bottom



5 Use Slot and metal plate for connection



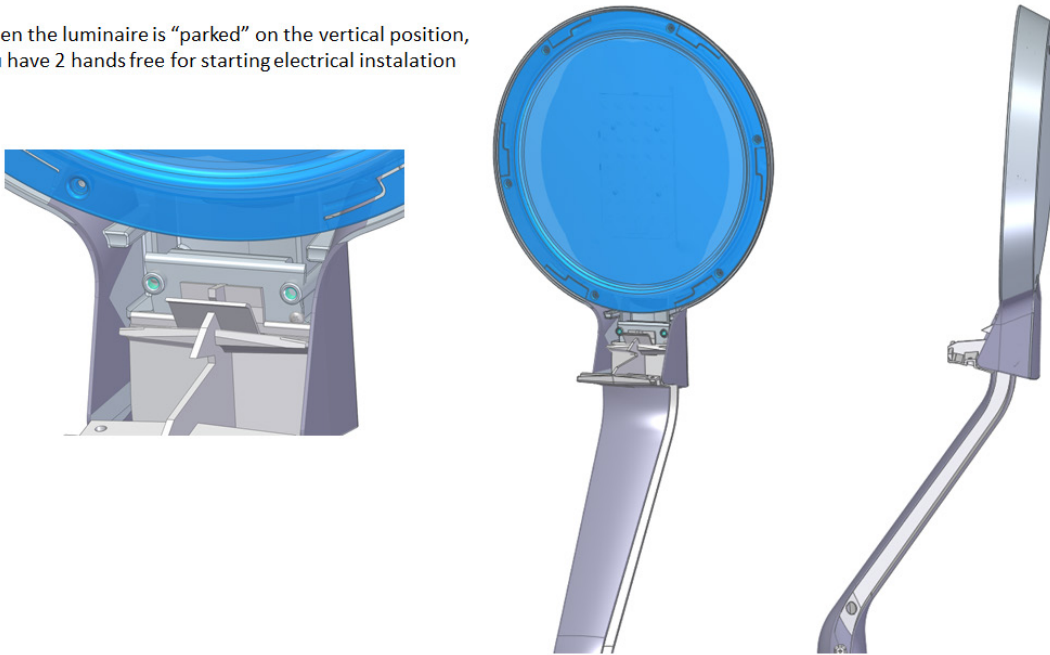
To connect LYRE bracket and luminaire use Slot in the bracket and metal plate connected to the luminaire



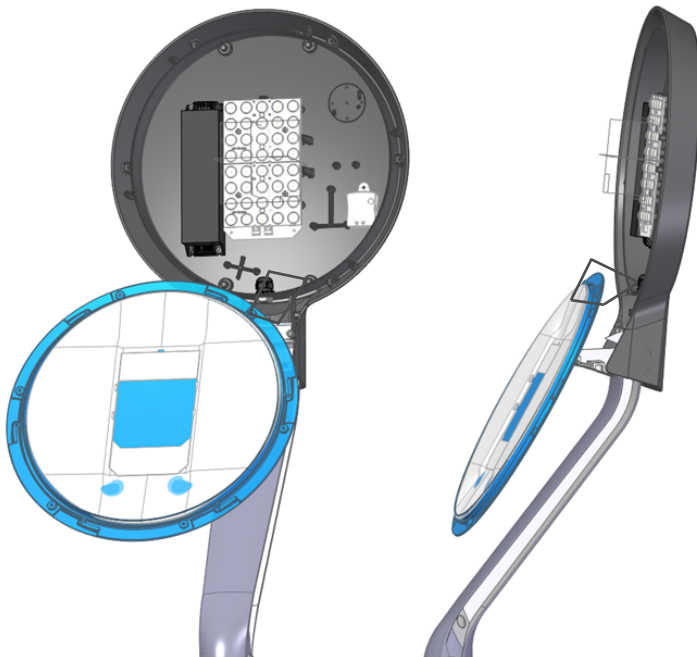


6 Luminaire on Vertical Position

When the luminaire is "parked" on the vertical position, you have 2 hands free for starting electrical installation



7 Bowl opening



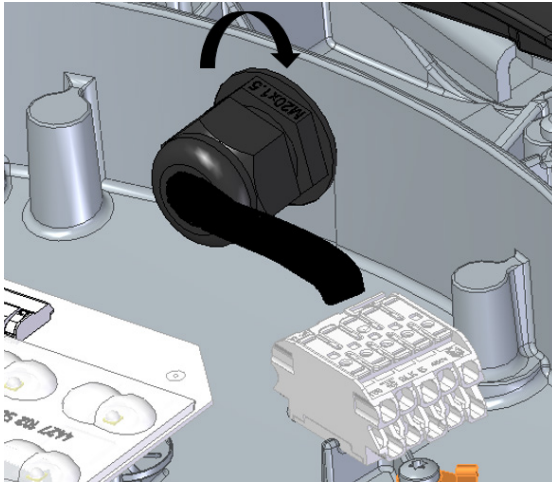
- Unscrew 6 bowl screws
- Don't worry – retainers will keep screws with bowls still
- When the bowl is unfixed you can lower down

In case of bowl with white mask

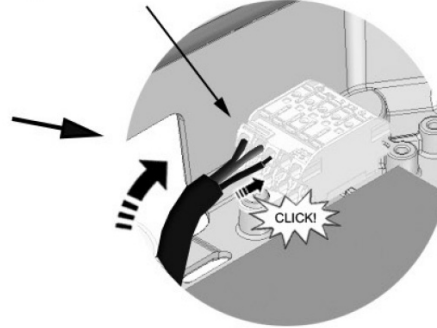
- Set will be kept by bowl holder
- Put the cable to the cable gland hole
- Make electrical connection
- Tighten the cable gland



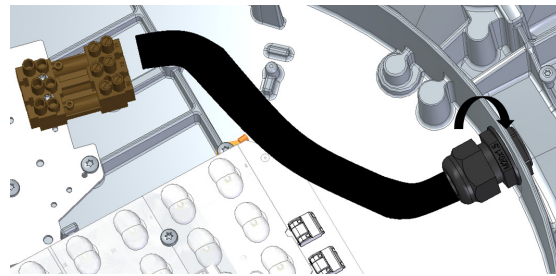
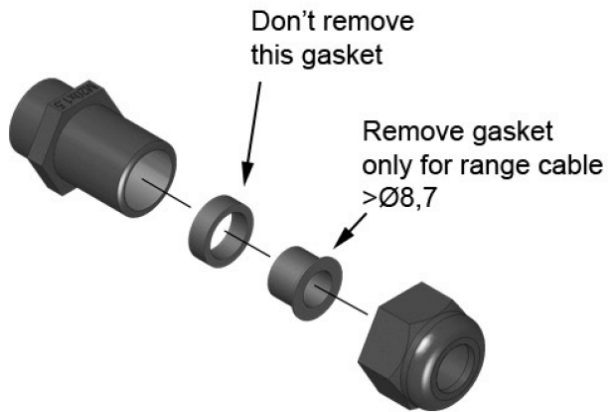
8 Cabling connection



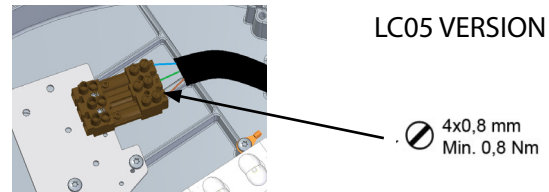
always connect to upper terminals of the connector



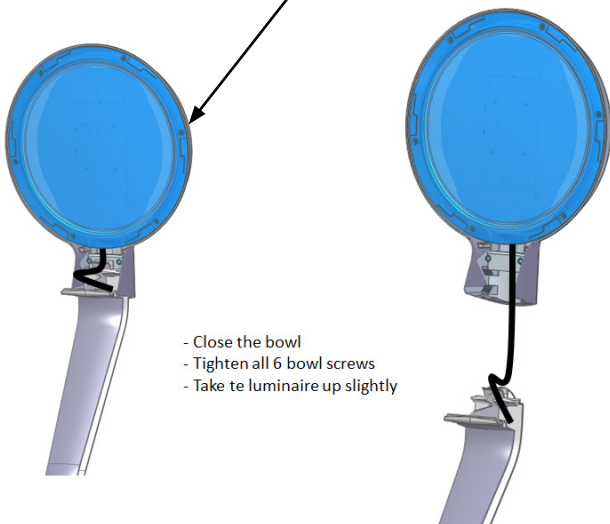
STANDARD VERSION



LC05 VERSION



9 Bowl closing



- Close the bowl
- Tighten all 6 bowl screws
- Take te luminaire up slightly

10 Put luminaire on final positioning

Put the luminaire to the final position on the LYRE bracket

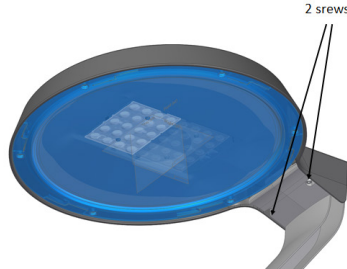
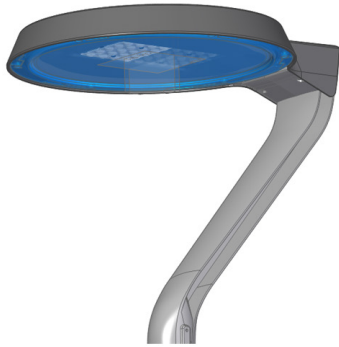




OPEN / CLOSE / MOUNTING CABLE (BDP270/271/272/273 versions)

11 Final fixation of the luminaire to the lyre

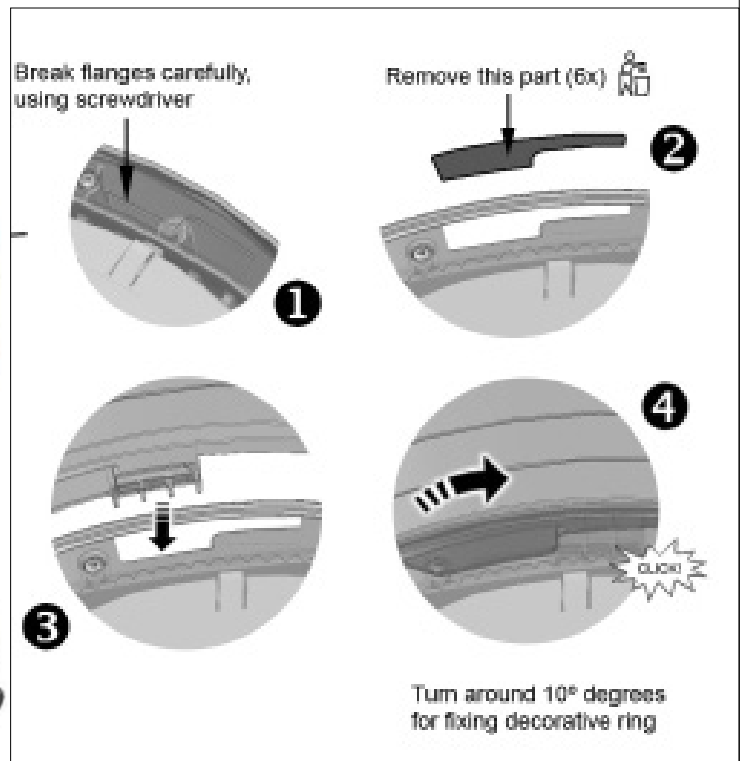
- Keeping the luminaire one hand on front, tighten 2 screws
- Add accessories if needed



4 10 Nm



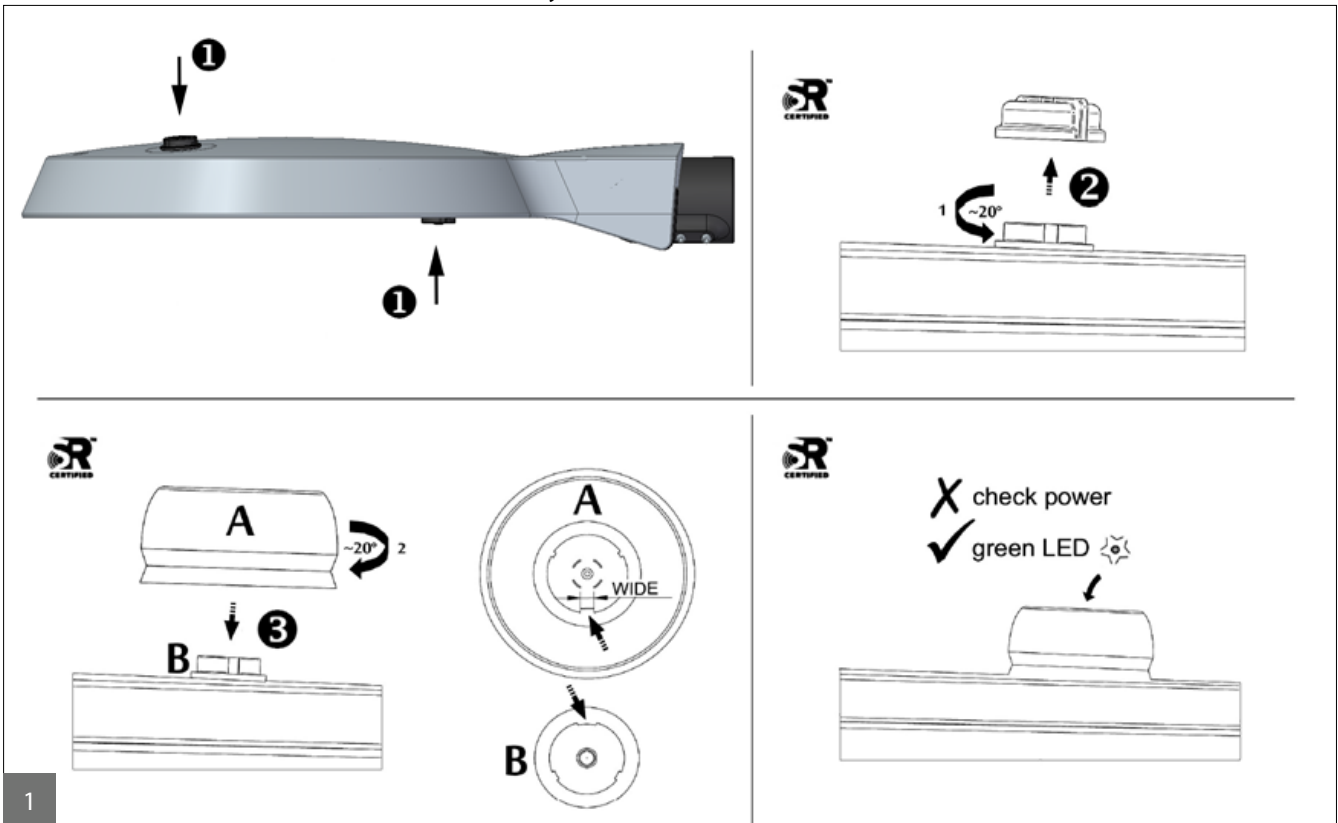
DECORATIVE RING FIXATION



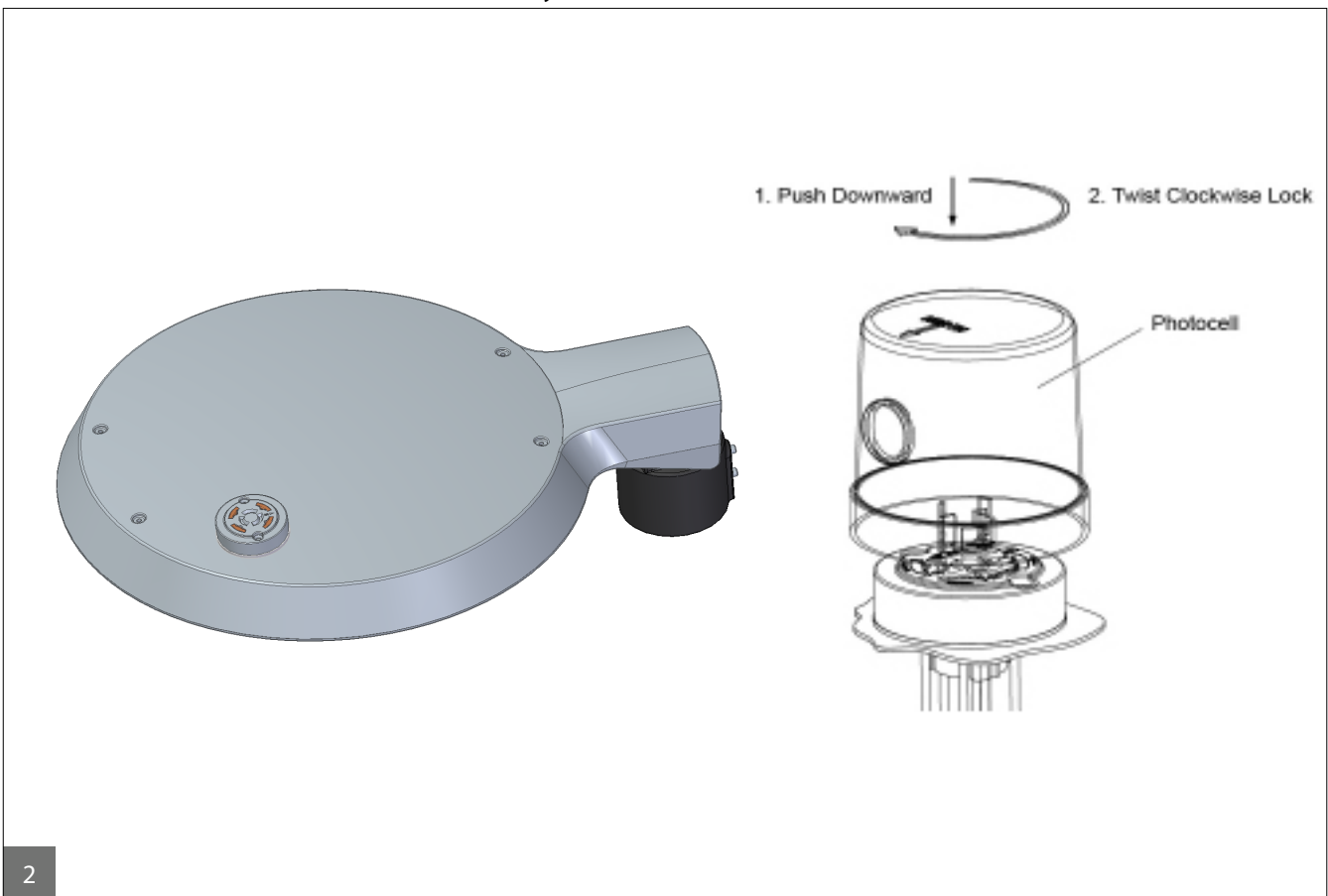


MOUNTING OF PHOTOCELLS

Citytouch OLC COM SR

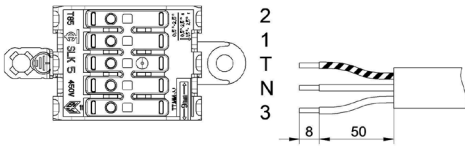
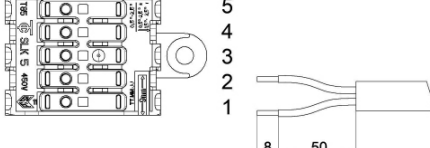



Citytouch OLC NEMA SR

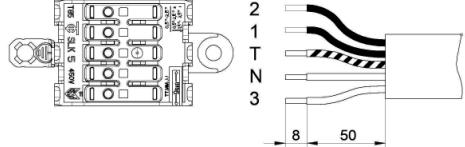
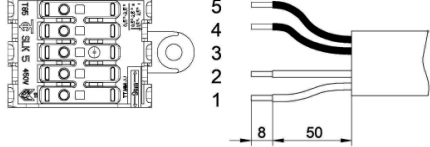



TYPES OF MAIN CONNECTION (STANDARD VERSION)

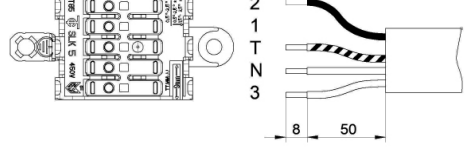
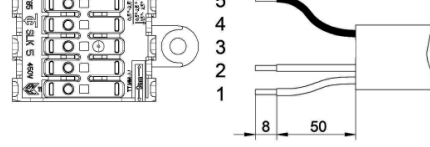

(PSU) (PSA) (PSDD) CONNECTION

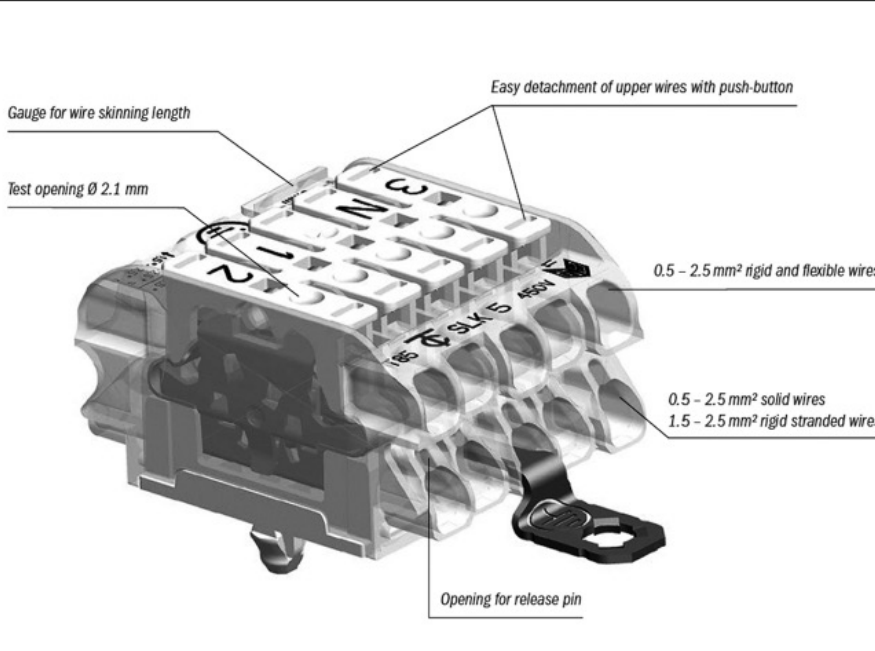
Class-I		Class-II			
	3	LINE (Brown)		1	LINE (Brown)
	N	NEUTRAL (Blue)		2	NEUTRAL (Blue)
		GROUND (Yellow & Green)		3	(Optional for installer) GROUND
	1	-		4	-
	2	-		5	-


(PSD) CONNECTION

Class-I		Class-II			
	3	LINE (Brown)		1	LINE (Brown)
	N	NEUTRAL (Blue)		2	NEUTRAL (Blue)
		GROUND (Yellow & Green)		3	(Optional for installer) GROUND
	1	DALI		4	DALI
	2	DALI		5	DALI


(PSR) CONNECTION

Class-I		Class-II			
	3	LINE (Brown)		1	LINE (Brown)
	N	NEUTRAL (Blue)		2	NEUTRAL (Blue)
		GROUND (Yellow & Green)		3	(Optional for installer) GROUND
	1	-		4	-
	2	Lineswitch		5	Lineswitch



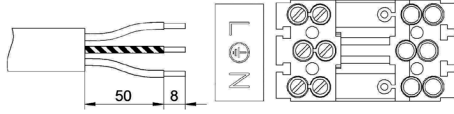
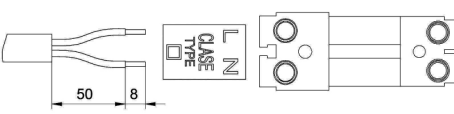

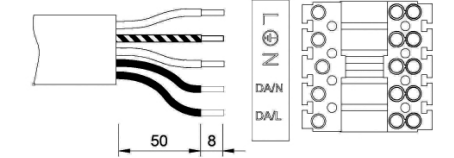
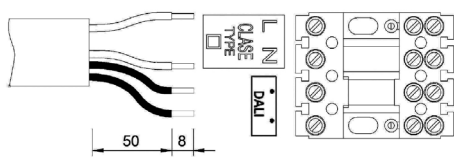

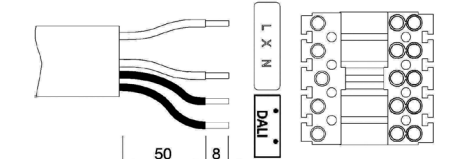
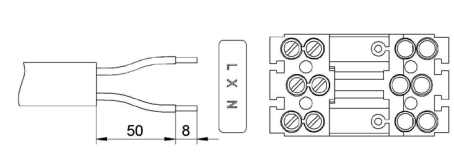
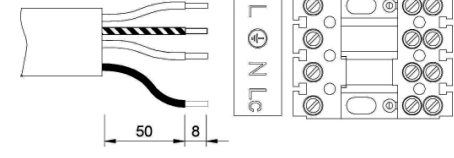
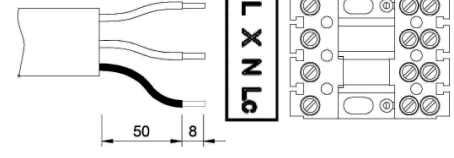

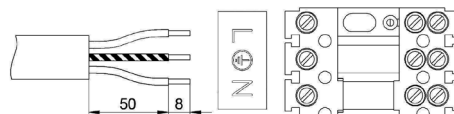
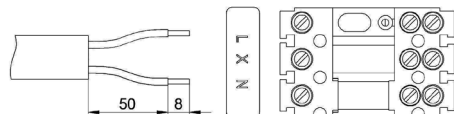



Nominal voltage 450 V
Nominal current 24 A
Clamping range upper terminals 0.5 - 2.5 mm² rigid and flexible wires
 detachment of wire with push-button
Clamping range lower terminals 0.5 - 2.5 mm² solid wires,
 1.5 - 2.5 mm² rigid stranded wires,
 detachment of wire with release pin
Wire skinning length 9 ± 1 mm



Nominal voltage 300 V according to EN 60598-1
Nominal current 24 A
Clamping range upper terminals 0.5 - 2.5 mm² rigid and flexible wires
 detachment of wire with push-button
Clamping range lower terminals 0.5 - 2.5 mm² solid wires,
 1.5 - 2.5 mm² rigid stranded wires,
 detachment of wire with release pin
Wire skinning length 9 ± 1 mm

TYPES OF MAIN CONNECTION (LC05 VERSION)

(PSU) (PSA) (PSDD) CONNECTION							
Class-I			Class-II				
	L	LINE (Brown)		L	LINE (Brown)		
		GROUND (Yellow & Green)		N	NEUTRAL (Blue)	N	NEUTRAL (Blue)
	N	NEUTRAL (Blue)		-	-	-	-
(PSD) CONNECTION							
Class-I			Class-II				
	L	LINE (Brown)		L	LINE (Brown)		
		GROUND (Yellow & Green)		N	NEUTRAL (Blue)	N	NEUTRAL (Blue)
	N	NEUTRAL (Blue)		DA	DALI	DA	DALI
	DA/L	DALI		DA	DALI	-	-
	DA/N	DALI		-	-	-	-
(PSD) CONNECTION (with Surge Protection)			(PSU) (PSA) (PSDD) CONNECTION (with Surge Protection)				
Class-II							
	L	LINE (Brown)		L	LINE (Brown)		
	X	(Optional for installer) GROUND		X	(Optional for installer) GROUND	N	NEUTRAL (Blue)
	N	NEUTRAL (Blue)		-	-	-	-
	DA	DALI		-	-	-	-
	DA	DALI		-	-	-	-
(PSR) CONNECTION							
Class-I			Class-II				
	L	LINE (Brown)		L	LINE (Brown)		
		GROUND (Yellow & Green)		X	(Optional for installer) GROUND	N	NEUTRAL (Blue)
	N	NEUTRAL (Blue)		Lc	LineSwitch	Lc	LineSwitch
	Lc	LineSwitch		-	-	-	-
(PHOTOCELL) CONNECTION							
Class-I			Class-II				
	L	LINE (Brown)		L	LINE (Brown)		
		GROUND (Yellow & Green)		X	(Optional for installer) GROUND	N	NEUTRAL (Blue)
	N	NEUTRAL (Blue)		N	NEUTRAL (Blue)	-	-

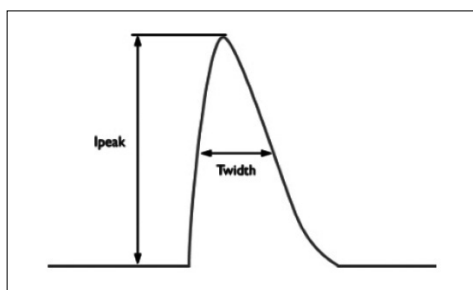


	Full Prog	Coded Mains	System Ready
The maximum number of luminaires with driver 40W to be connected in MCB 16A TYPE B (mains impedance 200 mΩ + 400 μH)	20	20	21
Inrush current Ipeak*	22 A	22 A	21 A
Inrush current Twidth **	290 μs	290 μs	300 μs

* input voltage 230V
** input voltage 230V, measured at 50% Ipeak

	Full Prog	Coded Mains	System Ready
The maximum number of luminaires with driver 75W to be connected in MCB 16A TYPE B (mains impedance 200 mΩ + 400 μH)	11	11	6
Inrush current Ipeak*	65 A	65 A	21 A
Inrush current Twidth **	330 μs	330 μs	300 μs

* input voltage 230V
** input voltage 230V, measured at 50% Ipeak



CLEANING

The luminaire is protected against water ingress to IP66. Sealed design ensures that this rating will be maintained over the full lifetime of the product.



The luminaire may be cleaned by brush with short&soft bristles.

Extra care must be taken when cleaning around the external cables and connector in order to prevent damage.

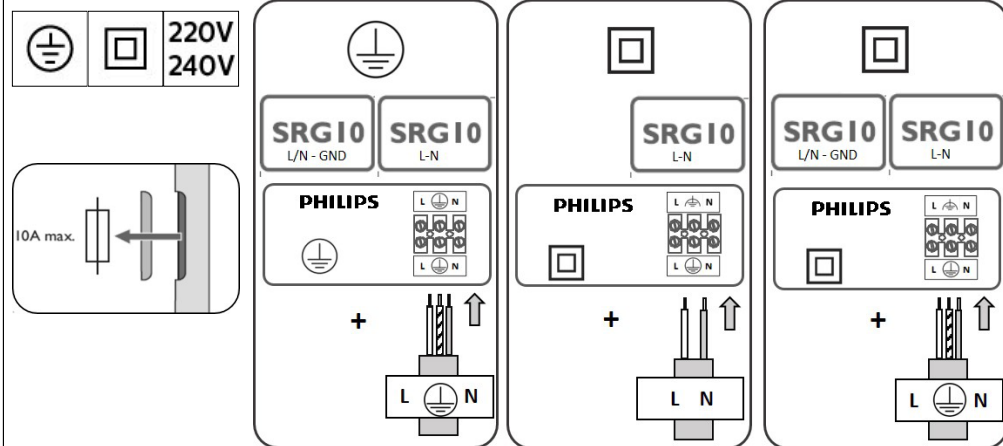


Do not use high pressure water jet or high pressure cleaners.

If clear water is not sufficient for cleaning, use a neutral, synthetic, not-scratching and non-abrasive substances.

Never use alkaline and/or acetous cleaning substances. Make sure that cleaning substance is fully removed by rinsing with clean water.

SRG10 10 KV PROTECTION



10kV extra surge protection (SRG10) is ensuring Differential mode protection.

In class II:
In order to also cover Common mode, PE (Protective Earth) connection to the SPD is to be added at installation. Surges due to discharge for electrostatic fields (ESD) are not covered when installed onto insulated material poles (to protect an equipotential connection is required between the metal housing of the luminaire and the earth; in that case it is better to use a Class I (luminaire).

Have you already downloaded the Philips Service tag app?

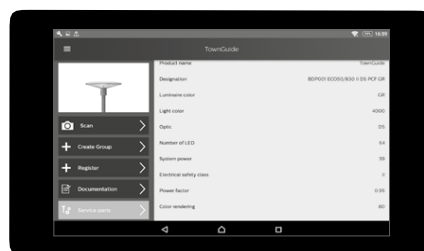
It helps you make LED maintenance easier and faster!

1. Download the app

App herunterladen

Descargar la app

Télécharger l'application



iOS



Android

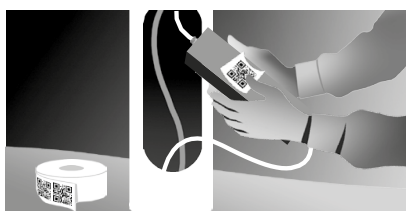


2. Place tag on the fuse box

Stelle den Tag auf den Sicherungskasten

Colocar la etiqueta en la caja de fusibles

Placer le tag sur le boîtier appareillage



3. Register the product

Produktregistrierung

Registrar el producto

Enregistrer le produit



And also...

Und ebenso... Y también... Et aussi...



Mounting instructions

Montageanleitung

Instrucciones de montaje

Instructions de montage

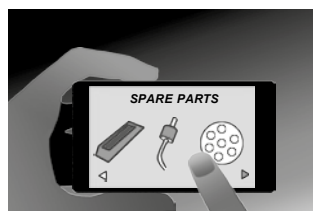


Troubleshooting

Problemebehebung

Resolución de problemas

Dépannage

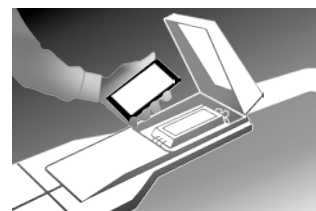


Spare parts list

Ersatzteilliste

Listado de repuestos

Liste des pièces de rechange



Driver re-programming

Treiber Neuprogrammierung

Reprogramación del driver

Reprogrammation du Driver

Want to know more about Service tag?

Go to www.philips.com/servicetag

Annex I : Simplified EU Declaration of Conformity

Hereby, **Philips Lighting B.V** declares that the radio equipment type included into the luminary is in compliance with Directive 2014/53/EU. The full text of the EU declaration of conformity is available at the following internet address : <http://www.lighting.philips.com/main/prof>

	Philips Lighting B.V
ES	Por la presente, declara que el tipo de equipo radioeléctrico es conforme con la Directiva 2014/53/UE. El texto completo de la declaración UE de conformidad está disponible en la dirección Internet siguiente: http://www.lighting.philips.com/main/prof
EN	Hereby, declares that the radio equipment type is in compliance with Directive 2014/53/EU. The full text of the EU declaration of conformity is available at the following internet address: http://www.lighting.philips.com/main/prof
FR	Le soussigné, déclare que l'équipement radioélectrique du type est conforme à la directive 2014/53/UE. Le texte complet de la déclaration UE de conformité est disponible à l'adresse internet suivante: http://www.lighting.philips.com/main/prof
IT	Il fabbricante, dichiara che il tipo di apparecchiatura radio è conforme alla direttiva 2014/53/UE. Il testo completo della dichiarazione di conformità UE è disponibile al seguente indirizzo Internet: http://www.lighting.philips.com/main/prof
DE	Hiermit erklärt dass der Funkanlagentyp der Richtlinie 2014/53/EU entspricht. Der vollständige Text der EU-Konformitätserklärung ist unter der folgenden Internetadresse verfügbar: http://www.lighting.philips.com/main/prof
DA	Hermed erklærer, at radioudstyrstypen er i overensstemmelse med direktiv 2014/53/EU. EU-overensstemmelseserklæringens fulde tekst kan findes på følgende internetadresse: http://www.lighting.philips.com/main/prof
NL	Hierbij verklaar ik, dat het type radioapparatuur conform is met Richtlijn 2014/53/EU. De volledige tekst van de EU-conformiteitsverklaring kan worden geraadpleegd op het volgende internetadres: http://www.lighting.philips.com/main/prof
PL	niniejszym oświadczam, że typ urządzenia radiowego jest zgodny z dyrektywą 2014/53/UE. Pełny tekst deklaracji zgodności UE jest dostępny pod następującym adresem internetowym: http://www.lighting.philips.com/main/prof
HU	igazolja, hogy a típusú rádióberendezés megfelel a 2014/53/EU irányelvnek. Az EU-megfelelőségi nyilatkozat teljes szövege elérhető a következő internetes címen: http://www.lighting.philips.com/main/prof
CS	Tímto prohláŕuju, Ŕe typ rádiového zařizení je v souladu se smĎnicí 2014/53/EU. Úplné znĎní EU prohláŕení o shodĎ je k dispozici na této internetové adrese: http://www.lighting.philips.com/main/prof
SL	potrjuje, da je tip radijske opreme skladen z Direktivo 2014/53/EU. Celotno besedilo izjave EU o skladnosti je na voljo na naslednjem spletnem naslovu: http://www.lighting.philips.com/main/prof
LV	Ar ūo deklarĕ, ka radioiekārta atbilst Direktīvai 2014/53/ES. Pilns ES atbilstības deklarācijas teksts ir pieejams šādā interneta vietnĕ: http://www.lighting.philips.com/main/prof
LT	Aŝ, patvirtinu, kad radijo įrenginių tipas atitinka Direktyvą 2014/53/ES. Visas ES atitikties deklaracijos tekstas prieinamas ūiuo interneto adresu: http://www.lighting.philips.com/main/prof
PT	O abaixo assinado declara que o presente tipo de equipamento de rádio est em conformidade com a Diretiva 2014/53/UE. O texto integral da declaraço de conformidade est disponvel no seguinte endereço de Internet: http://www.lighting.philips.com/main/prof
SV	Härmed försäkrar att denna typ av radioutrustning överensstämmer med direktiv 2014/53/EU. Den fullständiga texten till EU-försäkran om överensstämmelse finns på följande webbadress: http://www.lighting.philips.com/main/prof



© 2018 Signify Holding.

All rights reserved. This document contains information relating to the product portfolio of Signify which information may be subject to change. No representation or warranty as to the accuracy or completeness of the information included herein is given and any liability for any action in reliance thereon is disclaimed. The information presented in this document is not intended as any commercial offer and does not form part of any quotation or contract. Philips and the Philips Shield Emblem are registered trademarks of Koninklijke Philips N.V.. All other trademarks are owned by Signify Holding or their respective owners.

Signify Holding.