

PHILIPS

Fortimo

LED system

SLM Food

Warm White / Premium Red



Bereid



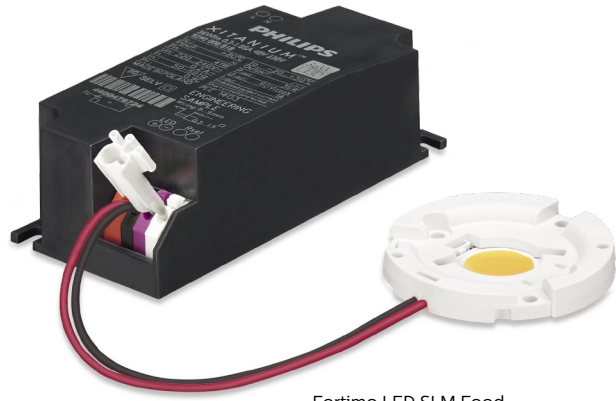
Dedicated solutions
for **optimum fresh
food** illumination

Indoor lighting

Fortimo LED SLM Food

Warm White / Premium Red

Quality of light



Fortimo LED SLM Food
Warm White and Food Premium Red

Superior color rendering for **fresh food**





Fortimo SLM Food solutions at a glance:

- Chip-on-Board (CoB) technology, based on Fortimo LED SLM Gen4 platform
- Dedicated solution for fruit, vegetables and bread
- Dedicated solution for fresh meat
- Close-up illumination of food possible
- Zhaga compliant form factor*

* Measurements showing compliancy to Zhaga book 3 version 1.2 have been done on the SLM 3000 lm L15 module

Food retailers want to make their fresh produce such as fruit, vegetables, bread and meat, look as attractive as possible. And luminaire manufacturers are helping them do so by creating lighting systems that emphasize the reds in fresh meat and tomatoes for example, or the warm brown-yellows in fresh bread. The correct light can have a hugely positive impact on shoppers' perception, creating an almost mouthwatering effect. That's why Philips has developed two new dedicated food light sources with optimally tuned light spectra. They provide superior color rendering that present fresh produce in the best possible light.

Superior color rendering for fresh food and bread

The Fortimo LED SLM Warm White creates a unique color impression that makes fresh food such as fruit and vegetables as well as bread look highly attractive. It brings out the natural brilliance of greens, reds and yellows, in fact all colors. Colors appear warm and saturated, exactly what a retailer wants when displaying fresh produce. In addition to fresh produce, it is also an excellent light source to bring out the warm colors of wood and leather products.

Enhanced appearance of fresh meat

The Fortimo LED SLM Premium Red uses a tuned color spectrum that enhances red and simultaneously displays white in a clear and fresh way. This creates a high contrast between the two colors and therefore enhances the visual impact of fresh meat.

Powerful LED benefits

Fortimo LED SLM Warm White and Fortimo LED SLM Premium Red are LED modules. They do not emit any UV or IR rays, so food stays fresh longer. Even when you place them close to food for enhanced drama, there is no risk of premature food deterioration. In addition, LED light sources generate almost no heat in the direction of the light, and therefore do not affect the products displayed.

“

Give retailers the
mouthwatering effect”

Optimized light quality

One of the constant pillars of the Fortimo brand is its high quality of light. Fortimo LED SLM Warm White and Premium Red are prime examples of this, with a dedicated spectrum, color uniformity and consistency over life (MacAdam Ellipse of just 3 SDCM). This makes the Fortimo LED SLM Food ideal light sources for food retail lighting.

A smart system for spotlights

Fortimo LED SLM Food Warm White and Food Premium Red are designed to work with Xitanium LED drivers, a smart system approach that offers:

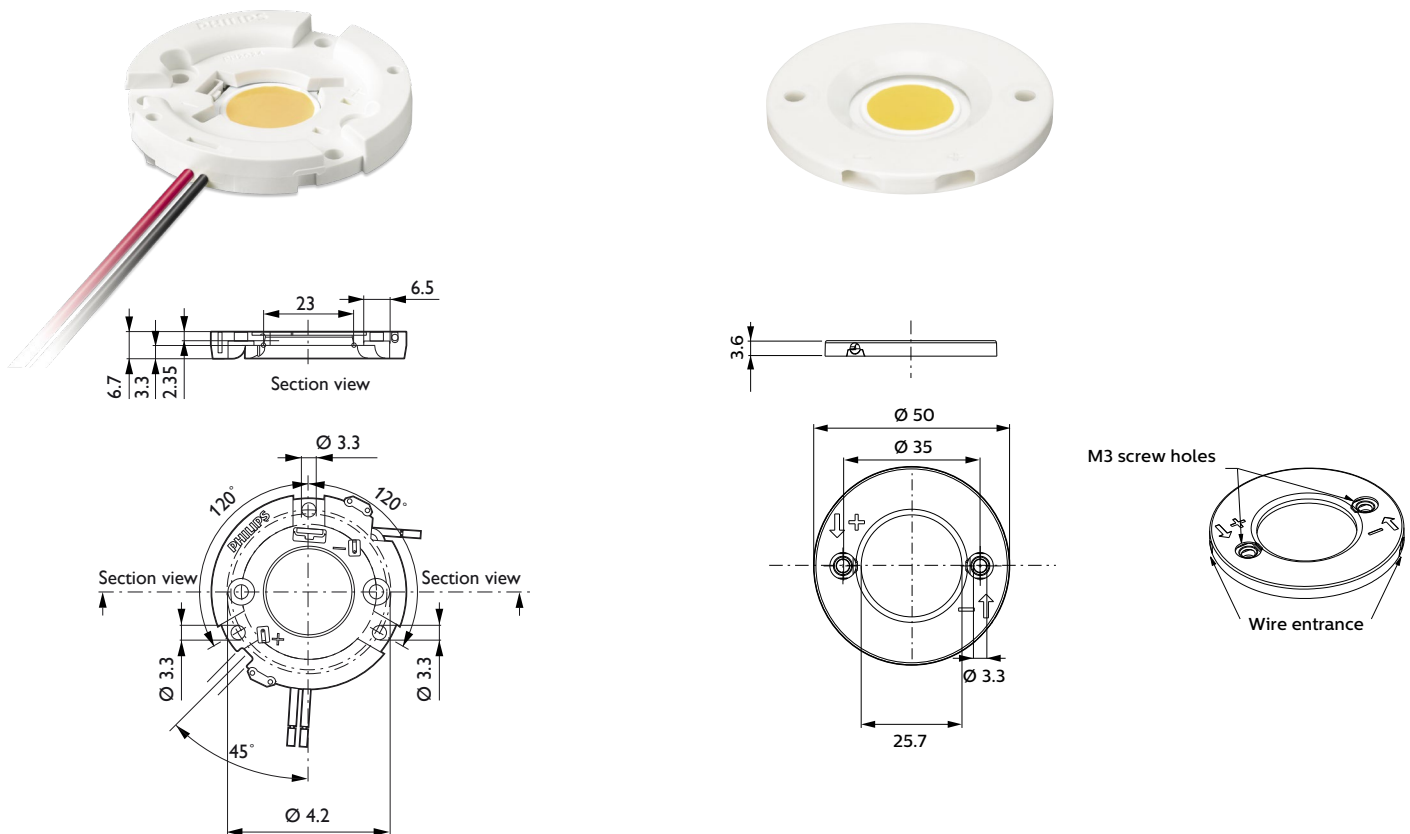
- Optimized system performance, maximum flexibility
- Dimming systems such as Touch & Dim and DALI for scene setting and additional energy savings
- Easy design-in possibilities with extended Tc up to 95 °C for further miniaturization
- REACH and RoHS certified for quick and easy luminaire approbation

Maximized flexibility

The new modules come with a choice of three different holder options:

- Standard: holder with two fixed, pre-molded connection wires (60 cm, pre-tinned)
- Downlight: holder with two fixed, pre-molded connection wires (60 cm, tin-dipped) with an extra sleeve to accommodate strain relief
- Poke-in: holder without fixed wires, but with two connection points allowing users to mount their own wires.

Dimensions (mm)



Standard and downlight version

Poke-in version

Specifications and ordering details

Fortimo LED SLM Food Warm White and SLM Food Premium Red

Product description	Light output	Module power	Module efficacy	System efficacy	Color temperature	Color rendering	Color consistency	TC life	B50/L70 at max Tc life
	lm	W	lm/W	lm/W		CRI	SDCM	°C	hrs
Fortimo LED SLM 2800lm 925 FW L19 G4	2880	42	68	60	Warm White	90	3	85	>50,000
Fortimo LED SLM 3000lm 930 FR L19 G4	2980	42	70	62	Premium Red	87	3	85	>50,000
Fortimo LED SLM 2800lm 925 DL FW L19 G4	2880	42	68	60	Warm White	90	3	85	>50,000
Fortimo LED SLM 3000lm 930 DL FR L19 G4	2980	42	70	62	Premium Red	87	3	85	>50,000
Fortimo LED SLM 2800lm 925 PI FW L19 G4	2880	42	68	60	Warm White	90	3	85	>50,000
Fortimo LED SLM 3000lm 930 PI FR L19 G4	2980	42	70	62	Premium Red	87	3	85	>50,000

DL refers to double isolated connection cables to accommodate independent usage. PI refers to Poke-In holder (no fixed, pre-molded wires).

Ordering data

System consists of SLM FWW or FPR module (CoB with holder), driver and Rset.

Fortimo LED SLM FWW and SLM FPR

Type	Units per pack	EOC code	12NC code
Fortimo LED SLM 2800lm 925 FW L19 G4	20	8718291 783596 00	9290 009 03506
Fortimo LED SLM 3000lm 930 FR L19 G4	20	8718291 783619 00	9290 009 03606
Fortimo LED SLM 2800lm 925 DL FW L19 G4	20	8718696 417621 00	9290 009 30106
Fortimo LED SLM 3000lm 930 DL FR L19 G4	20	8718696 417645 00	9290 009 30206
Fortimo LED SLM 2800lm 925 PI FW L19 G4	20	8718696 432389 00	9290 009 37706
Fortimo LED SLM 3000lm 930 PI FR L19 G4	20	8718696 432402 00	9290 009 37806

Fortimo LED SLM Gen4 Driver

Module type	LED driver	Rset	EOC code	12NC code
Fortimo LED SLM 2800lm 925 FW L19 G4	Xitanium 50W/s 0.9-1.4A 48V 230V	4870 Ω	8718291 777588 00	9290 008 99306
	Xitanium 50W LH 0.7-1.5A 48V TD/I 230V	4870 Ω	8718291 782360 00	9290 009 04106
	LED Driver 50W 0.7-1.5A 44V I 230V **	4870 Ω *	6923410 748277 00	9290 008 92606
Fortimo LED SLM 3000lm 930 FR L19 G4	Xitanium 50W/s 0.9-1.4A 48V 230V	4870 Ω	8718291 777588 00	9290 008 99306
	Xitanium 50W LH 0.7-1.5A 48V TD/I 230V	4870 Ω	8718291 782360 00	9290 009 04106
	LED Driver 50W 0.7-1.5A 44V I 230V **	4870 Ω *	6923410 748277 00	9290 008 92606

*) With poke-in type resistor, others with JST.

**) Availability to be checked with your local Philips representative.

Rset

	Value	EOC code	12NC code
Fortimo LED Rset 1200mA	4870 Ω, type JST	8718696 402139 00	9290 009 13406
Fortimo LED Rset 1200mA	4870 Ω	8718696 402115 00	9290 009 13306

Other settings are possible using different resistor values. Please refer to the SLM Gen4 Design-In guide for further details.



